

Teranex Mini 12G-SDI to Quad SDI



Convert 12G-SDI to Quad Link SDI so you can connect the latest 12G-SDI Ultra HD equipment with Quad Link Ultra HD equipment. Also allows Ultra HD SDI to be separated into four HD SDI outputs for using regular HD displays for creating video wall style displays. Includes 12G-SDI loop through and support for both Level A and Level B 3G-SDI equipment.

£335

Connections

SDI Video Input

1 x 12G-SDI SD/HD/2K/4K auto switching.

Multi Rate Support

Automatic switching between SD/HD/2K and 4K

Re-Clocking

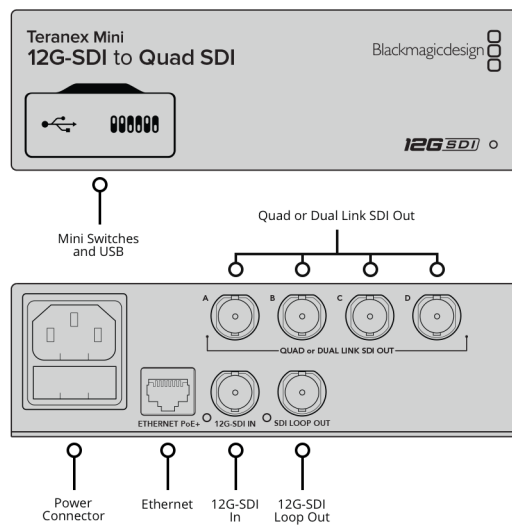
Yes

SDI Video Output

4 x 3G-SDI outputs

Updates and Configuration

USB or Ethernet



Standards

SD Format Support

525/29.97 NTSC, 625/25 PAL

HD Format Support

720p50, 59.94, 60
1080i50, 59.94, 60
1080PsF23.98, 24, 25
1080p23.98, 24, 25, 29.97, 30, 50, 59.94, 60

2K Format Support

1080PsF23.98, 24, 25
1080p23.98, 24, 25, 30

Ultra HD Format Support

2160p23.98, 24, 25, 29.97, 30, 50, 60

4K Format Support

2160p23.98, 24, 25, 29.97, 30.

SDI Compliance

SMPTE 259M, 292M, 296M, 372M, 425M, SMPTE 2081-1, SMPTE 2081-10, SMPTE 2082-1, SMPTE 2082-10, ST 2081 & ST 2082

SDI Video Rates

SDI video connections are switchable between standard definition, high definition level A and level B 3G-SDI, 6G-SDI and 12G-SDI.

SDI Video Sampling

4:2:2 and 4:4:4

SDI Audio Sampling

Television standard sample rate of 48 kHz and 24-bit.

SDI Color Space

YUV & RGB

Software

Software Control

Mac OS X™ and Windows™ software upgrade via USB and Ethernet.

Internal Software Upgrade

Via included updater application.

Settings Control

Basic Settings Control

Mini Switches, USB and Ethernet via free software utility.

Optional Front Panel Control

Front mounted Smart Panel with LCD, rotary knob and six settings buttons.

Power Requirements

Power Supply

1 x built-in international AC power supply with IEC C14 inlet. IEC Power cable required. 90 - 240V AC Input.

Power Over Ethernet

Can be powered via 48V DC using PoE+ (power over ethernet).

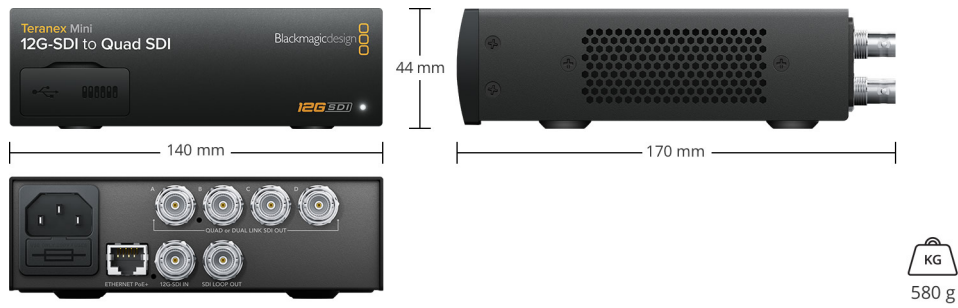
Power Consumption

16 Watts

Operational Voltage Range

90 - 240V AC

Physical Specifications



Environmental Specifications

Operating Temperature

0° to 40°C (32° to 104°F)

Storage Temperature

-20° to 60°C (-4° to 140°F)

Relative Humidity

0% to 90% non-condensing

What's Included

Teranex Mini - 12G-SDI to Quad SDI

Software and manual SD Card

Warranty

3 year Limited Manufacturer's Warranty.

All items on this website are copyright Blackmagic Design Pty. Ltd. 2016, all rights reserved.
All trademarks are property of their respective owners. MSRP excludes VAT/duties and shipping costs.

Blackmagic Design Authorized Reseller