

# VL-4X

## Dual Sequential Charger



### Instruction Manual



Thank you for purchasing the VL-4X. The VL-4X contains a simultaneous charger (using 1 channel of L/R side) and a sequential charger (using 2 channels of L/R side) for V-Mount Lithium Ion batteries. Prior to using the charger, IDX recommends reading this Instruction Manual and keep this manual for future reference.

#### ⚠ WARNING

##### May cause sudden serious injury and death

- Do not connect to an AC power source that exceeds the voltage specification stated on the unit.
- Use only with the compatible batteries listed in this manual.
- Do not short the contact pins with any metal object.
- Do not carry or store with metal equipment.
- Do not immerse in water.
- Do not attempt to open the outer casing or break apart.
- Do not subject the unit to extreme physical impact or pressure, or place any object across the terminals that could cause it to short.
- Do not attempt to use if damaged.
- Protect the power cord from any damage.

#### ⚠ CAUTION

##### May cause sudden serious injury and death

- The unit should be used under the conditions listed in this manual.
- Do not expose the unit to extremely high temperatures.
- Use the approved power cord / appliance connector / plug conforming to the proper ratings (voltage, ampere) and safety regulations of each country if applicable.
- Keep the unit away from excessively dry or humid environments.
- Stop charging immediately if the charging does not complete within the designated time.
- In case of abnormal smell, leak, color change or case deformity during use, turn the power off and unplug the cable from the socket to avoid possible injury.
- This is a class A product in a domestic environment this product may cause radio interference in which case the user may be required to take adequate measures.
- Do not carry the charger while the battery is attached.

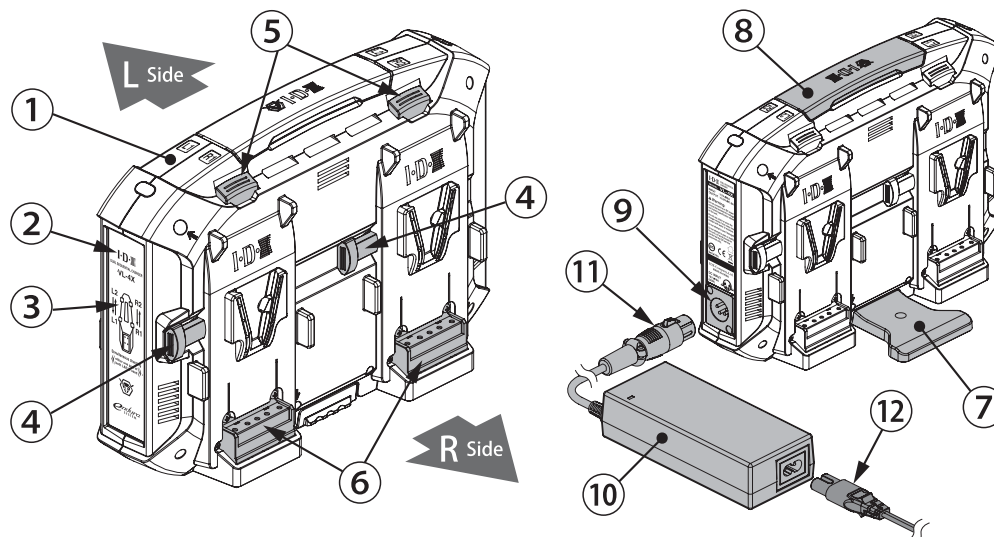
#### Features

- Universal AC input for world-wide use.
- The batteries are charged sequentially when are installed on the same side. When batteries are charged sequentially, they are charged in order you installed them.
- The batteries are charged simultaneously when they are installed on both sides of the charger.
- Auto safety & protection features.
- Recovery charge mode for low voltage batteries.
- Auto-stop charging if battery fails to reach 100% within the designated time.
- Over voltage protection stops charging when the battery voltage exceeds the designated charge level.
- Protection circuitry activates when a battery fault is detected.
- AC adaptor accessory of the charger can be used as 15V-6A(90W) DC power supply.

#### Specifications

- Recommended batteries : IDX V-Mount Lithium Ion batteries
- AC adapter : YHY15006000 (SHENZHEN YINGHUIYUAN ELECTRONICS CO.,LTD)
- AC adapter voltage : Input AC100V~240V (50/60Hz) / Output DC15V 6A
- Operating temperature : 0~40°C / 32~104°F
- Operating humidity : 20%~90% RH
- Charging method : Constant current and constant voltage
- Charging output : 16.8V 1.9A / MAX 2.7A
- Power consumption : MAX 220VA
- Battery protection timer : Recovery charge approx 2 hours  
Quick charge approx 5~12 hours
- Dimensions : approx. 90.5 ( W ) × 177 ( H ) × 250 ( D )mm  
approx. 3.56 ( W ) × 6.96 ( H ) × 9.84 ( D ) inches
- Weight : Charger body approx. 1100g / 2.42 lbs  
AC adapter approx. 450g / 0.99 lbs
- Charge time standard :  
For the latest charging time information, please visit our website (<http://www.idxtek.com/charging-times>)

#### Location and Function of Parts



- 1 Charger body
- 2 Power LED
- 3 Charge LED
- 4 Battery release button (Side)
- 5 Battery release button (Top) & Charge LED
- 6 Battery charge terminal
- 7 Support stand
- 8 Handle
- 9 DC Input
- 10 AC adapter
- 11 DC plug / DC cable (1.2m)
- 12 AC plug / Power cable (1.5m)

## Safety Features

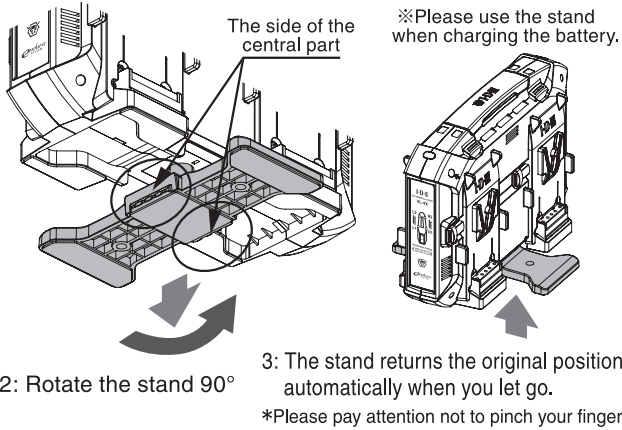
VL-4X is equipped with various Internal Safety Features that protect both the battery and charger from serious damage.

- The charger starts recovery charging if the voltage of mounted battery is under 12V. (Solid Red)
- The charger will stop charging if the battery voltage does not reach 12V after 2 hours of charging. (Flashing Amber)
- The charger stops charging automatically if the battery is not fully charged after 5~12 hours from quick charging state. (Flashing Amber)
- The charger stops charging if the mounted battery is unusual. (Flashing Amber)

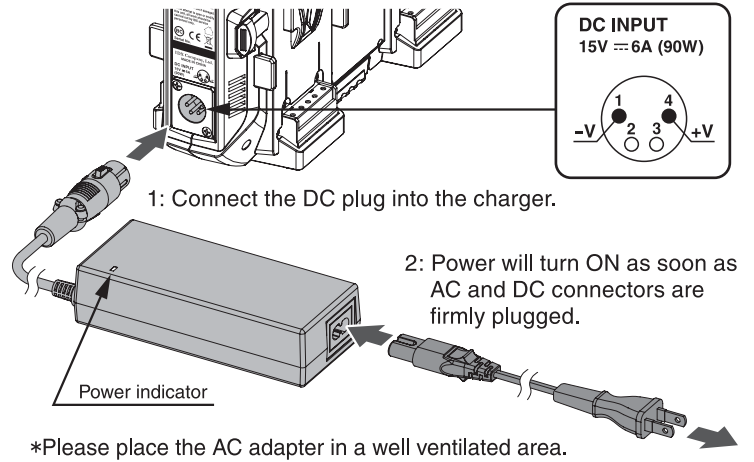
## Operating Instructions

### ① Support Stand Instruction

1: Hold the side of the central part of the stand, and pull down.

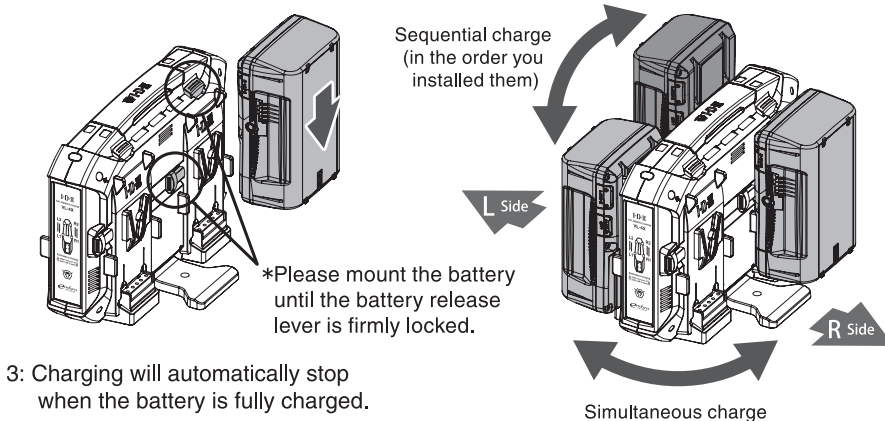


### ② Connect the AC Adapter

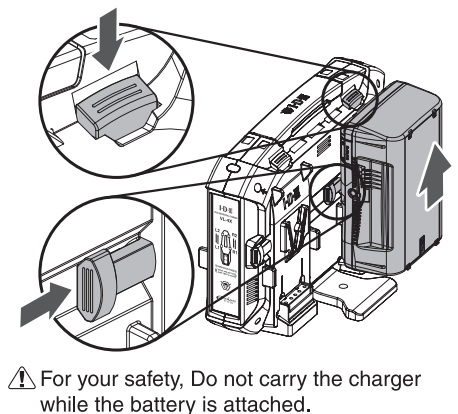


### ③ Charger Operation

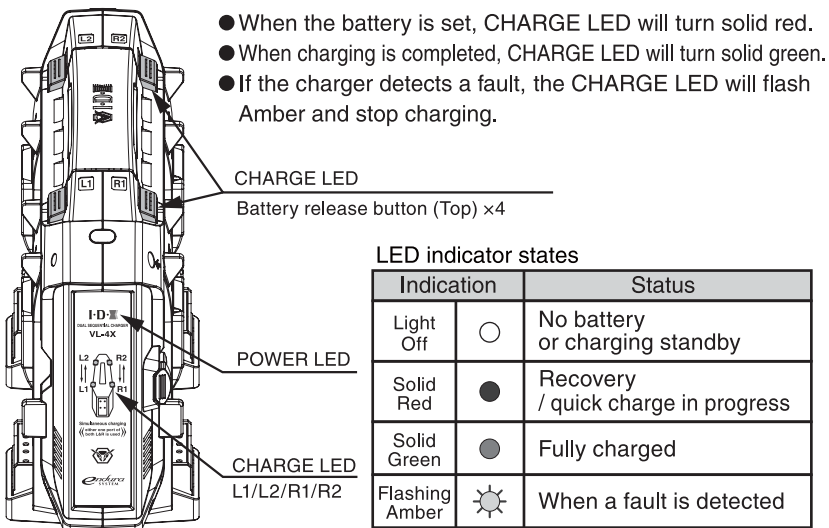
- 1: Install the battery as shown.
- 2: When the battery pack is mounted, a status LED will turn ON.  
If the condition of the battery is OK, charging will automatically start.



- 4: When removing the battery from the charger, firmly press the release lever while lifting the battery straight up.



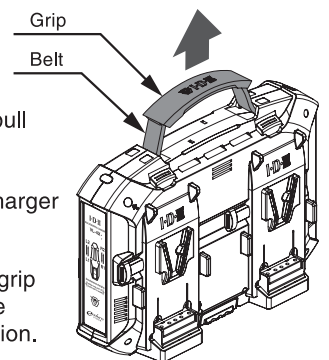
### ④ Status LED Indicator



### ⑤ Handle usage instruction

The charger can be carried easily by using the handle.

- 1: Pull up the grip to pull out the handle.
- 2: Please carry the charger by holding the grip.
- 3: Push down on the grip to return the handle to the original position.



- ⚠ Maximum load is 8kg. Please don't exceed 8kg to prevent any damage.
- ⚠ For your safety, please don't carry the charger by the handle while the batteries are installed.