

MSP 305

SDI-HDMI | HDMI-SDI Mini Converter



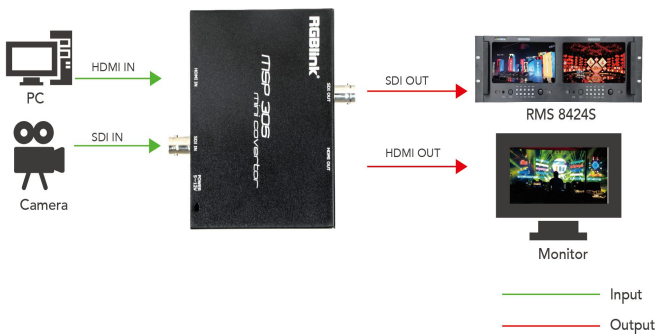
Key Features

- Support for HDMI 1.3 and 3G SDI
- Resolution up to 1080p, 2.97Gbps bit rate
- 1×HDMI in and 1× SDI Out
- 1×SDI In and 1× HDMI Out
- Embedded audio
- Auto detect 3G /HD/SD

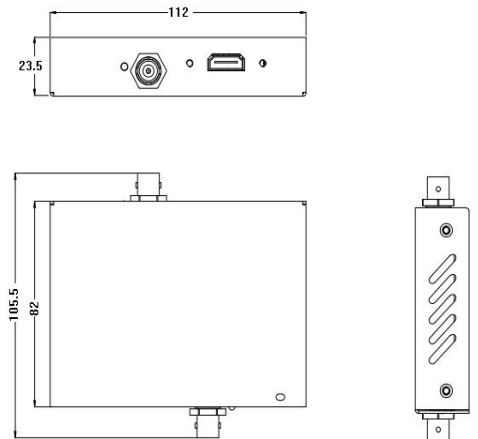
Specification

Connectors	Input	HDMI	1×HDMI Type A
		SDI	1×BNC
	Output	HDMI	1×HDMI Type A
		SDI	1×BNC
Performance	Supported Input Resolutions	SMPTE	720p@23.98/24/25/29.97/30/50/59.94/60 1080i@23.98/24/25/29.97/30/50/59.94/60
		VESA	800x600@60 1024x768@60 1280x768@60 1280x1024@60 1366x768@60 1600x1200@60 1920x1080@60
	Supported Output Resolutions	SMPTE	720p@23.98/24/25/29.97/30/50/59.94/60 1080i@23.98/24/25/29.97/30/50/59.94/60
	VESA	800x600@60 1024x768@60 1280x768@60 1280x1024@60 1366x768@60 1600x1200@60 1920x1080@60	
	Supported Standard	SMPTE 425M,SMPTE 424M,SMPTE 292M,SMPTE 259M-C	
Power	Input Voltage	DC 5-12V	
Environment	Working Temperature	0~40°C	
	Storage Temperature	-20~60°C	
	Humidity	20-90%	
Physical	Weight	Net	0.25kg
		Packaged	0.5kg
	Dimensions	Net	112mm×106mm×24mm
Packaged		160mm×120mm×80mm	

Application



Dimensions



Order Codes

Product Code	Item
621-0305-01-0	MSP305

Tel: +86-592-5771197 | Fax: +86-592-5788216 | E-mail: sales@rgbink.com
 Headquarter: S601 Weiye Building, Torch Hi-Tech Development Zone, Xiamen, Fujian, P.R.C.

RGBlink[®]

www.rgbink.com



Specifications are correct at time of printing and subject to change or alteration without notice.