

Congratulations on your purchase of this product. Please read this user manual carefully.

Features

- Using super high CRI SMD LEDs with accurate color temperature and 50,000hrs long life time;
- Edge mounted LEDs; the output light is stable, uniform, soft and glareless;
- Color temperature 2700K-6500K continuously adjustable, 0%-100% brightness adjustable;
- Provide normal and quick adjusting modes for color temperature and brightness;
- There are two communication control modes: DMX communication mode and interaction control mode
- Super high CRI Ra 98, TLCI 99;
- Support powering by V-mount/Gold mount battery or 4-pin XLR, and has power reverse protection function;
- LCD displays current color temperature value, current dimmer percentage, communication address, communication mode, power supply and remaining battery indications;
- All-metal body; super thin design;
- Packing options: portable simple package, engineering package and three lights set package.

Specification

Model	PL-E60D	PL-E90D
Color temperature	2700K-6500K	
Brightness	0%-100%	
luminance	1500 Lux@1m	2200 Lux@1m
Half beam angle	Appr.70° (without honey comb) Appr.40° (with honey comb)	
CRI	98	
TLCI	99	
Working voltage	DC 11-36V	
Power consumption	Appr.60W	Appr.90W
Dimension	382mmx403mmx48mm	654mmx403mmx 48mm
Lighting area	257mmx257mm	526mm x 257mm
Net weight	3.2Kg	4.8Kg

Caution

- Please do not disassemble the light or touch its inner part with metal;
- Please do not put the light under conditions full of dust or moisture to avoid damage;
- USB socket is reserved socket; pls use according to specified using environment for related products, and do not use for other purpose to avoid damage.
- When using interaction control function, pls do not connect to DMX output equipments, otherwise this function can not be used.
- Only use the light in the temperature range of -10°C~40°C.

Clean

- Please clean the front LED panel with soft dry cloth. If using soft cloth with slight clean neutral detergent solution, please wipe again with a soft dry cloth.
- Do not use wet cloth, anhydrous alcohol, gasoline, or a mixture of anhydrous alcohol and ether etc. to wipe the front LED panel.

Appearance

Front view:

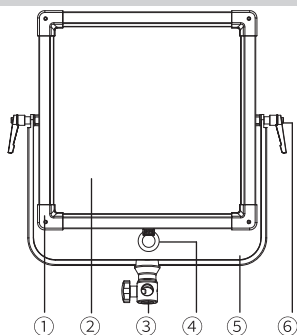


Fig.1 PL-E60D

- Barn door mounting point
- Diffuser
- U-shape bracket connector
- Ring
- U-shape bracket
- bracket knob

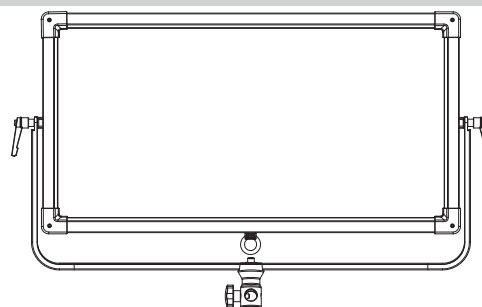


Fig.2 PL-E90D

Rear view:

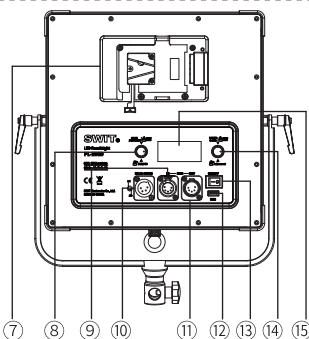


Fig. 3 PL-E60D

- Battery plate
- CT dimming knob
- DMX IN
- DC11-36V IN
- DMX OUT
- USB socket
- Power switch
- Dimmer knob
- LCD display

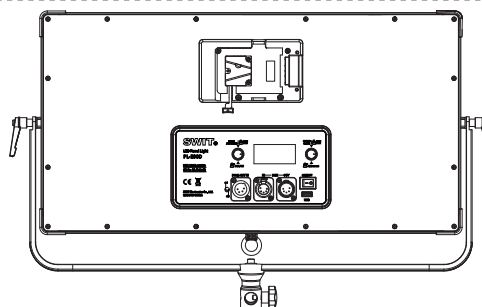
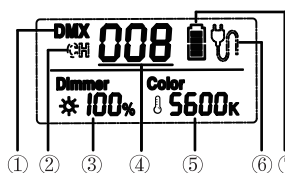


Fig. 4 PL-E90D

LCD display

For example: color temperature 5600K, dimmer 100%, powered by fully charged battery ,DMX communication mode, address008, it will display as below:



- Current communication control mode —DMX communication mode
- Current communication control mode —interaction control mode
- Brightness display
- Communication address
- CT display
- Power supply display(AC adaptor power supply)
- Power supply display(battery power supply)

Note: When powered by battery, the battery capacity will be displayed as below:

Four LEDs	About 80%-100%
Three LEDs	About 60%-80%
Two LEDs	About 40%-60%
One LED	About 20%-40%
No display (outline boarder flicker)	Under 20%, lack of power

Optional Accessory Installation

Fig. 6~9 is the installation instruction for PL-E60D; the installation of PL-E90D is the same as PL-E60D.

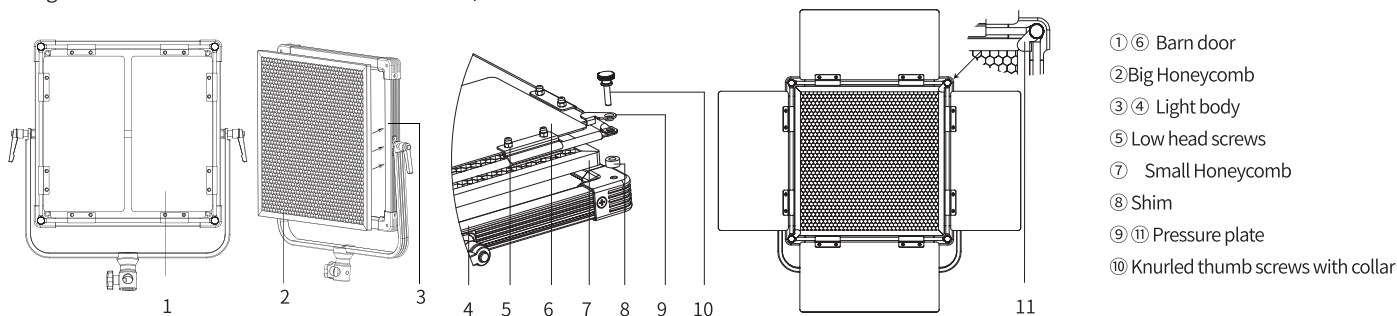


Fig. 6 Barn door installation

Fig. 7 Big Honeycomb installation

Fig. 8 Barn door installation

Fig. 9 Small Honeycomb installation

- The way to install the barn door is shown as Fig.6 and Fig.8.
 - **Note:** Put the low head screws upward during the installation.
 - Please confirm the types of honeycomb before using it. (The types of honeycomb size are shown as below).
- 1) Purchase of big honeycomb
Please affix the hook&loop to the frame of both the honeycomb and light body before using. Fix the honeycomb according to the arrow direction as shown in Fig.7, and then use the light normally.
 - 2) Purchase of small honeycomb
The small honeycomb can be used with the barn door simultaneously. Fix the honeycomb by rotating the pressure plate(see Fig.9 ⑪) after the installation as shown in Fig.8, and then use the light normally.

Honeycomb type	PL-E60D	PL-E90D
Big honeycomb (L x W x H)	290mm x 290mm x 10mm	558mm x 290mm x 10mm
Small honeycomb(L x W x H)	268mm x 268mm x 10mm	536mm x 268mm x 10mm

Usage

1. Installation

1.1 Accessory installation

Pls check Optional Accessory Installation for the honeycomb (Fig.7 ②)/ Fig.8 ⑦) and barn door (Fig. 6 ①) installation.

1.2 User can install the light on a tripod or stand, and adjust demanded beam angle by knob on both sides of the U-stand.

2. Power supply

The light provides two ways of power supply, by V-mount or Gold mount battery or by 4-pin XLR AC-DC power. Turn on the light (Fig. 3 ⑬) and set the color temperature (Fig.3 ⑧) and brightness (Fig. 3 ⑭) to user's requirements.

3. Dimmer and color temperature setting

The light provides two ways of adjusting the color temperature and brightness: normal adjusting mode and quick adjusting mode. User can switch the adjusting mode by press the dimmer knob and color temperature adjusting knob (Fig.3⑭/⑧). User can quickly set the dimmer and color temperature to their needs by combining two adjusting modes.

3.1 Normal adjusting mode

- (1). Color temperature adjust
Range: 2700K-6500K, adjust value: 50K
- (2). Dimmer adjust
Range: 0%-100%, adjust value: 1%

3.2 Quick adjusting mode

- (1). Color temperature adjust
Under this mode, user can quickly choose common color temperature: 2700K, 3200K, 4500K, 5600K, and 6500K
- (2). Dimmer adjust
Range: 0%-100%, adjust value: 10%

4. Communication Address Setting and Usage

Press and hold dimmer knob (Fig.3⑭) for 2s to enter communication address setting interface, the address setting range is 001 to 512.

LCD digital tube (Fig.5 ④) flashing means the current address is selected, rotate the brightness adjusting knob (Fig.3⑭) to set the current address, press the brightness adjusting knob (Fig.3⑭) to confirm, when finish the last setting, press the brightness adjusting knob (Fig.3⑭) or wait for about 5s to quit.

5. Communication Control Mode Setting and Usage

Connect the lights network through using DMX cable. Press and hold color temperature adjusting knob (Fig.3 ⑧) for around 2 seconds to complete the communication control setting.

5.1. DMX Communication Mode

The upper left corner of LCD shows "DMX" (Fig. 5 ①) indicating that the communication control mode currently is the DMX communication mode. In this mode, connect the DMX signal output device to the lights network, and set up the communication address to work normally.

A light occupies 2 DMX control channels. The current DMX address (N) is brightness control, and the next set address of the current value (N+1) is color temperature control.

For example:

DMX Communication address	DMX Control address	Function
005	005	Brightness 0%-100%
	006	Color temperature 2700K-6500K

5.2. Interaction Control Mode

The upper left corner of LCD shows "CH" (Fig. 5 ②) indicating that the communication control mode currently is interaction control mode. In this mode, set the target lights to the same communication address to work normally, and the master-slave machine is not distinguished.

Note: when using this mode, please do not connect the DMX signal output equipment in the lighting network; otherwise the function can not be used normally.

6. USB socket

USB socket is reserved socket. Pls use according to specified using environment for related products, and do not use for other purpose to avoid damage.

Packing List

	Packing list	Package 1	Package 2	Package 3	Package 4	Package 5	Package 6	Package 7
1	PL-E60D/PL-E90D	x 1	x 1	x 1	x 3	x 3	x 3	x 3
2	Barn door	/	x 1	x 1	/	x 3	/	x 3
3	Ring	/	x 1	x 1	/	/	/	/
4	Safety rope	/	x 1	x 1	/	/	/	/
5	Power cable	x 1	x 1	x 1	x 3	x 3	x 3	x 3
6	Power adaptor	x 1	x 1	x 1	x 3	x 3	x 3	x 3
7	V-mount hook&loop	x 1	x 1	x 1	x 3	x 3	x 3	x 3
8	Tripod	/	/	/	x 3	x 3	x 3	x 3
9	Carrying case	x 1	x 1	/	/	/	/	/
10	Aluminum alloy case	/	/	/	/	/	x 1	x 1
11	Trolley case	/	/	/	x 1	x 1	/	/
12	User manual	x 1	x 1	x 1	x 3	x 3	x 3	x 3
13	Warranty card	x 1	x 1	x 1	x 3	x 3	x 3	x 3
14	DMX cable (Optional)	Customers can purchase separately according to the requirements.						
15	Honeycomb (Optional)							
16	Barn door (Optional)							
17	Set of Barn door and Honeycomb(Optional)							

Note:

1. Package 1: Single light package
2. Package 2: Single light package (with barn door)
3. Package 3: Single light engineering package (with barn door)

4. package 4: KIT1 (with trolley case)
5. Package 5: KIT2 (with trolley case, barn door)
6. Package 6: KIT3 (with aluminum alloy case)
7. Package 7: KIT4 (with aluminum alloy case, barn door)