

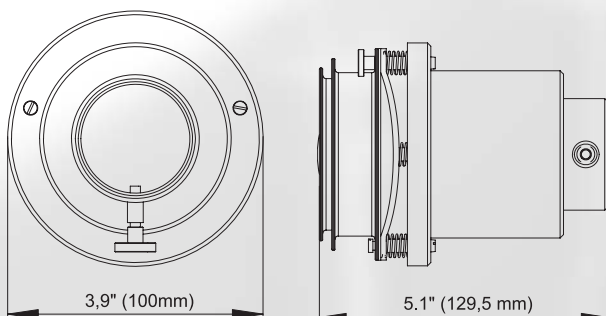


## DP 1 Imager Projection Attachment

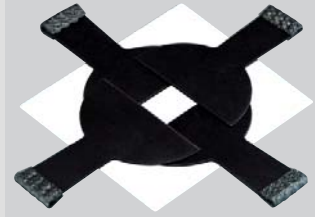
The DP1 Imager offers the greatest versatility with a spring loaded accessory slot to accept a wide range of imaging accessories.

**DP1** – Universal projection attachment. Supplied with an 85 mm metal-mounted lens (DPL85M) and soft storage pouch. Weight: 437 g (15.4 oz.)

**DP10** – Universal projection attachment. Same as DP1 but without lens. Weight: 284 g (10 oz.)

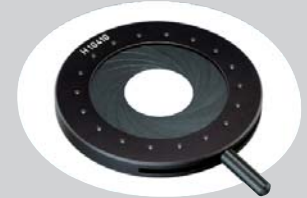


**DPFS** – Framing shutter blades. Supplied in a set of four. You can insert 3, 4 or even 5 of these framing shutter blades to form triangles, squares, rectangles, trapezoids and other shapes. Weight: 28 g (1 oz.)



**DPFS**

**DPIR** – Iris. A full metal iris allowing the creation of almost perfectly round images in varying sizes. The standard Dedolight iris features a continuous movement of 18 leaves. Weight: 48 g (1.7 oz.)



**DPIR**

**DPGH** – Gobo holder. A two part holder for round, standard M size Ø 66 mm metal gobos (shadow patterns). Weight: 22 g (0.8 oz.)

**DPGGH** – Glass gobo holder. A two part holder for round, standard M size Ø 66 mm glass gobos. Will hold 1.75 – 5.25 mm thick gobo. Weight: 26 g (0.9 oz.)



**DPSH** – Slide holder. Accepts any mounted 35 mm transparency. Warning: Use only in conjunction with the Dedolight heat filter (DHF). Weight: 45 g (1.6 oz.)

**DHF** – Heat filter. This glass filter with heat reflective coating, round metal frame and plastic safety handle reduces heat reaching the inserted transparency. Note: Some temporary loss of effectiveness when used for considerable duration.

**DPACP** – Accessory pouch for Imager/Projection attachment. Four compartments for gobos, scrims, filters, framing shutters, etc.

Note: When using the DPSH slide holder and DHF heat filter, the maximum lamp wattage should not exceed 100 W. The heat filter will sustain transparency life for short periods. If more light output and longer transparency life is desired, use the DP3 imager with forced air-cooling. The DP3 also offers image plane adjustments to maintain edge-to-edge sharp focus when projecting off axis.

