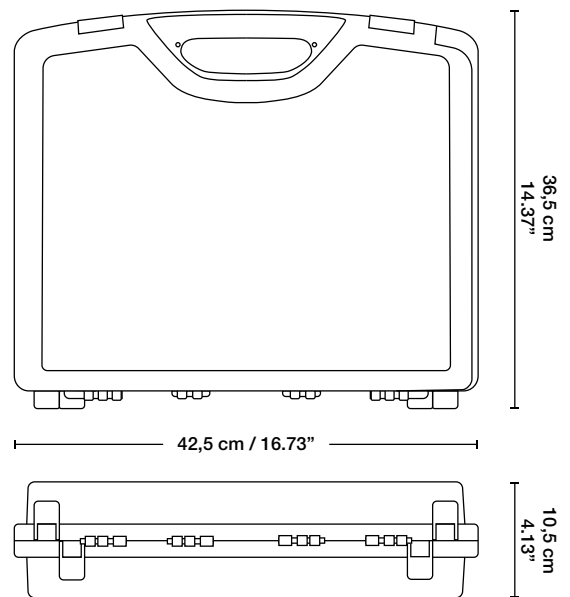


Plastic Transport Case for greenMachine®

- Impact dampening ABS Case
- Various storage spaces for supplies
- Sturdy closing mechanisms

The transport case is perfect to keep your greenMachine®, cables and documents organized and in one place, while also protecting it from environmental influences.

With it's sturdy design, our ABS Case is the ideal partner to transport your greenMachine® whenever it is not wired in a rack, standalone or any other system you can think of. The hard shell case protects your greenMachine® from most impacts in an average, busy work environment, while the inner foam coating prevents it from being scratched by cables, connectors or other equipment that can also be stored inside the case. The foam pocket inside the top lid of the case is ideal for storing quick reference guide, notes or any documentation.



Technical Specifications

Physical Size: 36.5cm x 42.5cm x 10.5cm (14.37" x 16.73" x 4.13")
Weight: 1.12kg (39.51oz)

Model # ABS Case for greenMachine (EAN: 4250479327573)

Ideal For:



greenMachine® Titan



RPS 6120 Power Supply



greenMachine® not included