



evolution wireless G4 EK 100 G4 | Camera Receiver



FEATURES

- Powerful camera receiver, easily mounted on any kind of camera
- Excellent sound and construction quality
- Easy to use and fast setup time
- Powerful and reliable wireless transmission
- Range: up to 100 meters / 330 feet
- Up to 8 hours of operation time

Powerful camera receiver with a lightweight aluminum housing and for evolution wireless G4 100P Series systems. For documentary, Mobile Journalism and audio for video applications.

DELIVERY INCLUDES

- EK 100 G4 camera receiver
- 2 AA batteries
- CA 2 camera adapter
- CL 1 3.5 mm jack cable
- CL 100 XLR to 3.5 mm jack adapter cable
- quick guide
- safety guide
- manufacturer declaration sheet

ACCESSORIES

- | | | |
|----------------|----------------------|-----------------|
| BA 2015 | rechargeable battery | Art. no. 009950 |
| L 2015 | charger | Art. no. 009828 |

PRODUCT VARIANTS

Made in Germany

EK 100 G4-A1	470 - 516 MHz	Art. no. 507644
EK 100 G4-A	516 - 558 MHz	Art. no. 507645
EK 100 G4-GB	606 - 648 MHz	Art. no. 507646
EK 100 G4-G	566 - 608 MHz	Art. no. 507647
EK 100 G4-B	626 - 668 MHz	Art. no. 507648
EK 100 G4-C	734 - 776 MHz	Art. no. 507649
EK 100 G4-E	823 - 865 MHz	Art. no. 507650
EK 100 G4-K+	925 - 937.5 MHz	Art. no. 507651

Assembled in USA

EK 100 G4-A1	470 - 516 MHz	Art. no. 507985
EK 100 G4-A	516 - 558 MHz	Art. no. 507986
EK 100 G4-AS	520 - 558 MHz	Art. no. 507987
EK 100 G4-G	566 - 608 MHz	Art. no. 507988
EK 100 G4-B	626 - 668 MHz	Art. no. 507989
EK 100 G4-C	734 - 776 MHz	Art. no. 507990
EK 100 G4-D	780 - 822 MHz	Art. no. 507991
EK 100 G4-JB	806 - 810 MHz	Art. no. 507992



evolution wireless G4

EK 100 G4 | Camera Receiver

SPECIFICATIONS

RF characteristics	
Modulation	Wideband FM
Frequency ranges	A1: 470 - 516 MHz A: 516 - 558 MHz AS: 520 - 558 MHz G: 566 - 608 MHz GB: 606 - 648 MHz B: 626 - 668 MHz C: 734 - 776 MHz D: 780 - 822 MHz E: 823 - 865 MHz JB: 806 - 810 MHz K+: 925 - 937.5 MHz
Receiving frequencies	Max. 1680 receiving frequencies, adjustable in 25 kHz steps 20 frequency banks, each with up to 12 factory-preset channels, no intermodulation 1 frequency bank with up to 12 programmable channels
Switching bandwidth	up to 42 MHz
Nominal/peak deviation	± 24 kHz / ± 48 kHz
Receiver principle	Adaptive diversity
Sensitivity (with HDX, peak deviation)	$< 1.6 \mu\text{V}$ for 52 dBA _{eff S/N}
Adjacent channel selection	≥ 65 dB
Intermodulation attenuation	≥ 65 dB
Blocking	≥ 70 dB
Squelch	low: 5 dB μV middle: 15 dB μV high: 25 dB μV

Pilot tone squelch	Can be switched off
--------------------	---------------------

AF characteristics	
Compander system	Sennheiser HDX
Signal-to-noise ratio (1 mV, peak deviation)	≥ 110 dBA
Total harmonic distortion (THD)	≤ 0.9 %
AF output voltage (at peak deviation, 1 kHz AF)	3.5 mm jack socket: +12 dBu (mono, unbalanced)
Adjustment range of audio output level	42 dB, adjustable in steps of 6 dB

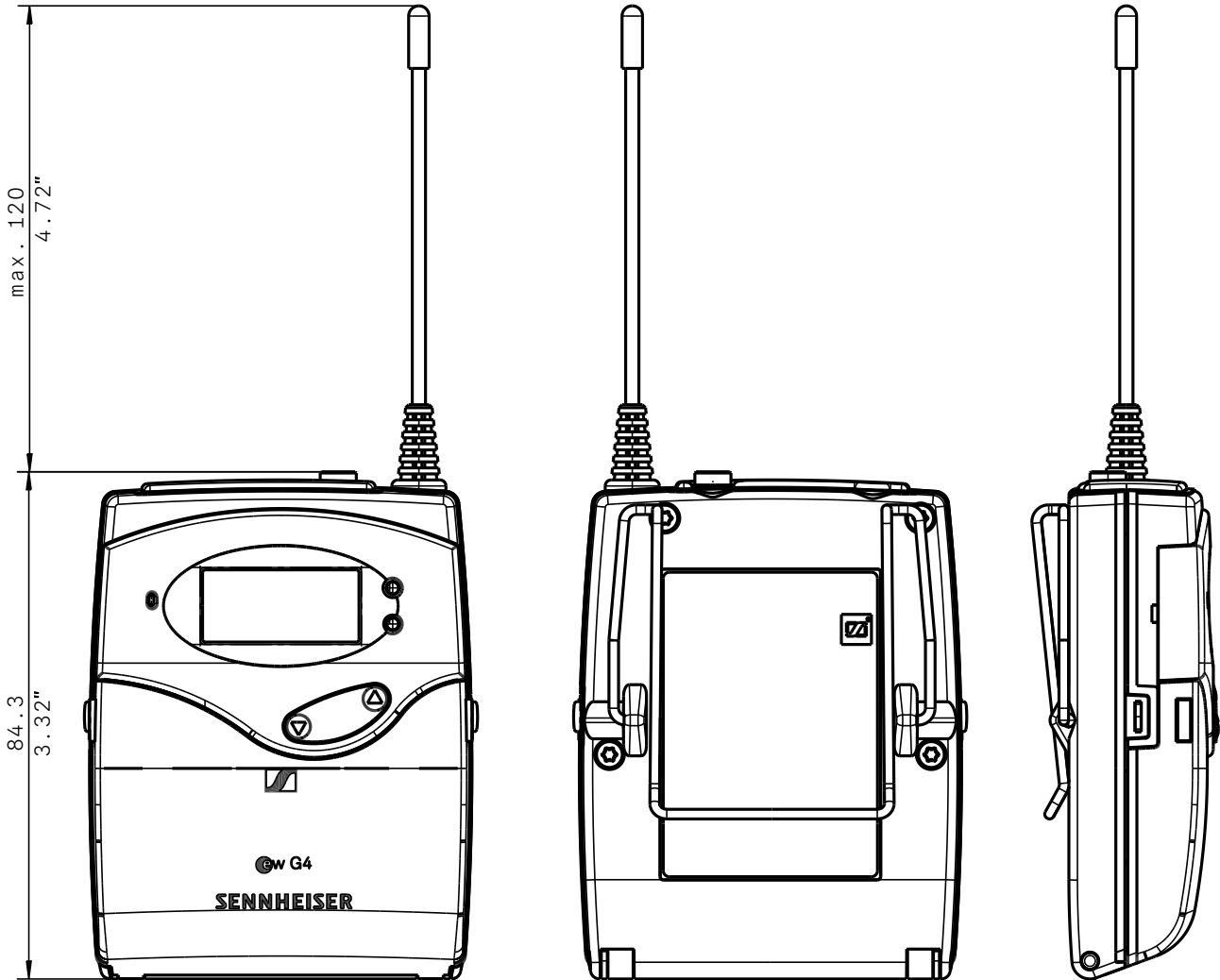
Overall device	
Temperature range	-10 °C to +55 °C
Power supply	2 AA batteries, 1.5 V or BA 2015 accupack
Nominal voltage	3 V battery / 2.4 V rechargeable battery
Current consumption	at nominal voltage: typ. 180 mA with receiver switched off: $\leq 25 \mu\text{A}$
Operating time	Typically 8 h
Dimensions	Approx. 82 x 64 x 24 mm
Weight (incl. batteries)	approx. 160 g



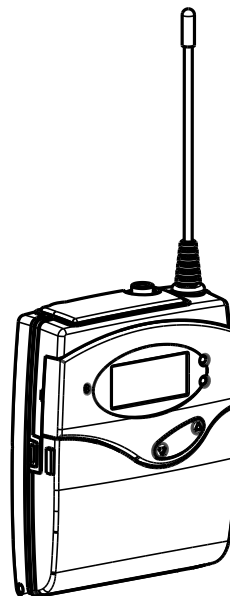
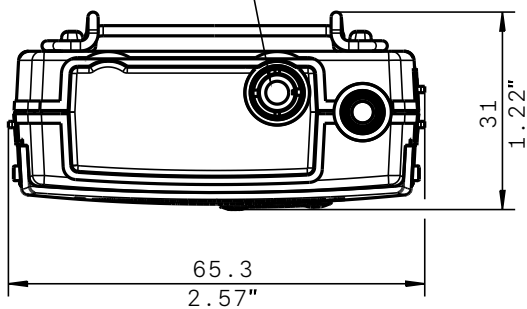
evolution wireless G4

EK 100 G4 | Camera Receiver

DIMENSIONS



3,5mm Klinke, unsymmetrisch
3,5mm plug, unsymmetrical





evolution wireless G4

EK 100 G4 | Camera Receiver

ARCHITECT'S SPECIFICATION

The compact camera receiver with adaptive diversity technology shall be for use with a companion transmitter as part of a wireless RF monitoring system.

The receiver shall operate within eleven UHF frequency ranges, with a switching bandwidth of up to 42 MHz: 470 – 516 MHz, 516 – 558 MHz, 520 – 558 MHz, 566 – 608 MHz, 606 – 648 MHz, 626 – 668 MHz, 734 – 776 MHz, 780 – 822 MHz, 823 – 865 MHz, 806 – 810 MHz, 925 – 937.5 MHz; transmission frequencies shall be 1,680 per range and shall be tunable in 25 kHz steps. The receiver shall feature 20 fixed frequency banks with up to 12 compatible frequency presets and 1 user bank with up to 12 user programmable frequencies.

The receiver shall be menu-driven with a backlit LC display showing the current frequency, frequency bank and channel number, metering of RF level, metering of AF level, lock status, battery status, muting function or line output level, and pilot tone evaluation. An auto-lock feature shall be provided to prevent settings from being accidentally altered.

The receiver parameters shall be programmable in the receiver menu.

The receiver shall feature a 3.5 mm audio output with a maximum output of +11 dBu (mono, unbalanced).

Nominal/peak deviation shall be ± 24 kHz/ ± 48 kHz. Squelch threshold shall be adjustable to three levels: Low (5 dB μ V), Middle (15 dB μ V) and High (25 dB μ V).

The receiver shall incorporate the Sennheiser HDX compander system and a defeatable pilot tone squelch. Sensitivity shall be < 1.6 μ V (typical) for 52 dBA eff S/N with HDX engaged at peak deviation. Adjacent channel rejection shall be ≥ 65 dB (typical). Intermodulation attenuation shall be ≥ 65 dB (typical); blocking shall be ≥ 70 dB. Signal-to-noise ratio at 1 mV and peak deviation shall be ≥ 110 dBA. Total harmonic distortion (THD) shall be ≤ 0.9 %. The audio output level shall be adjustable within a 42 dB range in steps of 6 dB.

Power shall be supplied to the receiver by two 1.5V AA size batteries or by one Sennheiser BA 2015 rechargeable ac-cupack. Nominal voltage shall be 2.4 V, current consumption shall be typical 180 mA at nominal voltage; ≤ 25 μ A when receiver is switched off. Operating time shall be typical 8 hours. The receiver shall have a rugged metal housing; dimensions shall be approximately 82 x 64 x 24 mm (3.23" x 2.52" x 0.94"). Weight including the batteries shall be approximately 160 grams (0.35 lbs). Operating temperature shall range from -10 °C to $+55$ °C ($+14$ °F to $+131$ °F).

The receiver shall be the Sennheiser EK 100 G4.