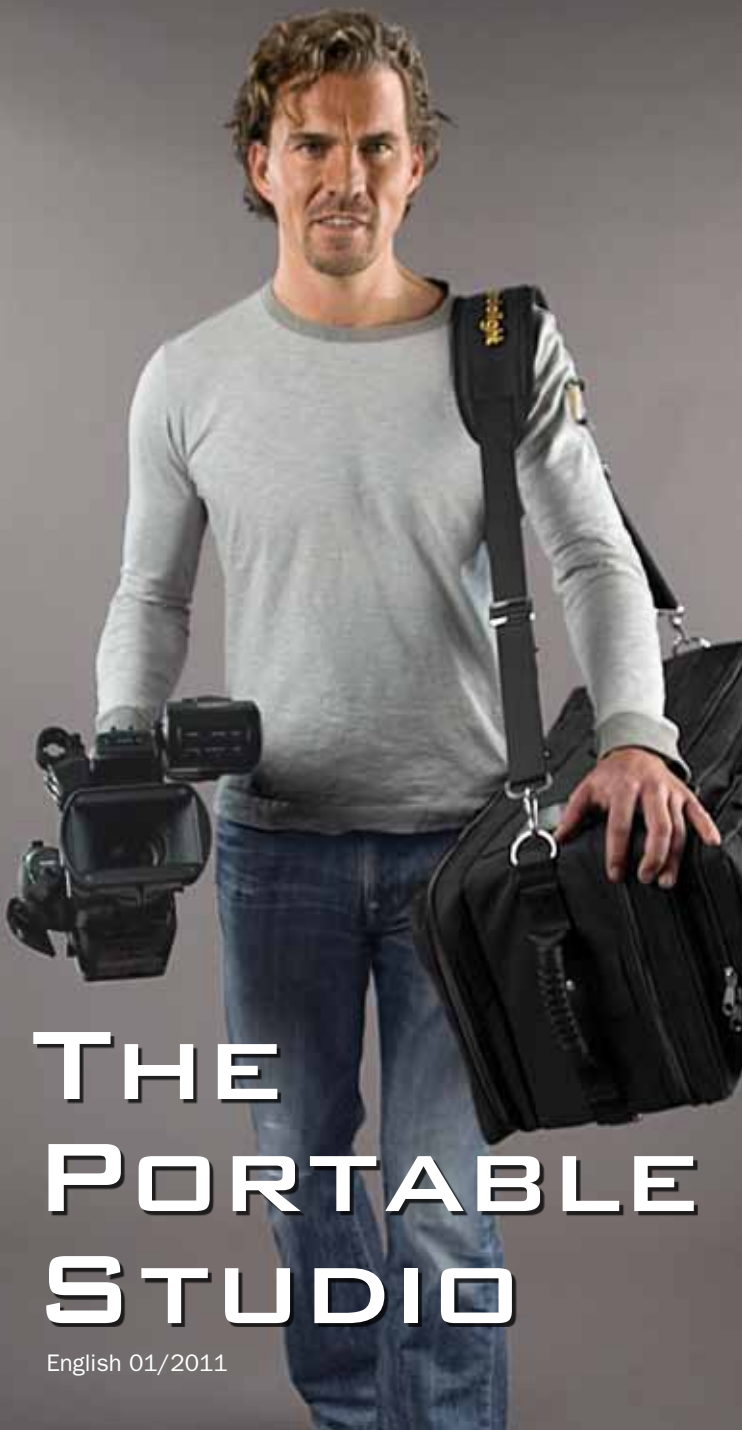


 dedolight®

PRECISION LIGHTING INSTRUMENTS



THE PORTABLE STUDIO

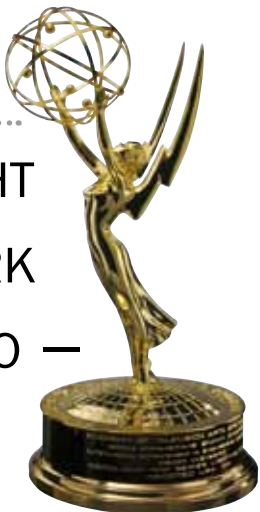
English 01/2011

5-LIGHT-KIT (SOFTCASE)



Code: **SPS5**

MAKE WORK LIGHT MAKE LIGHT WORK PORTABLE STUDIO – THE CONCEPT



The Portable Studio gives you all the power of Dedolight's award winning lights in a package compact enough for even a one person camera crew. Comparable lighting kits from other manufacturers can weigh three times as much, are more than three times the size and don't offer the same potential.

Elements of this lighting system are regularly used on elaborate Hollywood film productions (\$100 million blockbusters) and for intricate special effects sequences, such as on Harry Potter, Armageddon and Lord of the Rings.

It's no surprise that Dedolight won two awards from the Oscar Committee of the Academy of Motion Picture Arts and Sciences and an Emmy of the Academy of Television Arts and Sciences.



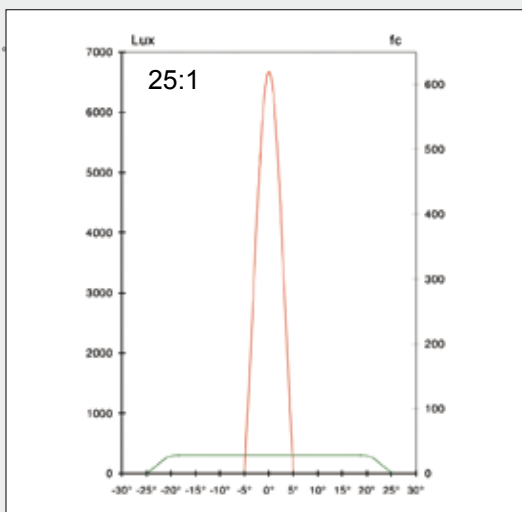
THE FOCUSING LIGHTS

Our revolutionary optical system uses two unique aspheric lenses.

The front lens is fixed, but the other moves either with the lamp and reflector OR relative to both the lamp and reflector (patented).

The 150 W light offers:

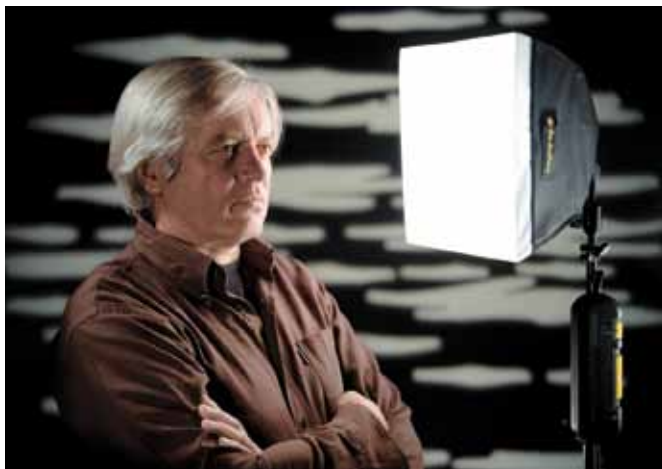
- More light output than a 500 W studio luminaire
- Perfect light distribution in all focusing positions



THE SOFT LIGHTS

DEDOLIGHTS

- Give a lot of light for a few watts – beautiful light.
- Double the light output compared to the output of a softbox in front of traditional studio lights.
- Pleasant smooth light distribution with no hot spots. Perfect portrait – key light (see also page 12).



EXTENDED REACH

Traditional studio luminaires of a comparable size offer a focusing range (change of intensity in the center of the lit area) of about 3:1. Dedolight operates up to 25:1, giving it a much larger variation between flood and spot, higher output, and control that is more precise. This allows the professional to place the light further away, keeping it out of shot, while allowing people to move around the lit area with less noticeable change in intensity.



Flood



Medium



Spot

BETTER LIGHT FOR PRECISION LIGHTING

- The Dedolight distributes perfectly even light across the lit area in all focusing positions – without hot spots or bright rings.
- It also emits a pure beam with no stray light to offer the cleanest, most defined light beam. To soften the beam edges, fit any of 23 different diffusion gels. No filter or gel exists that can make an undefined light beam more precise.

BETTER

CONTROL

DBD8

No light source can offer cleaner shadow edges than our 8-leaf barndoors (due to our patented optical system).

DLWA

An optical wide-angle attachment with its own 8-leaf barndoor for working in confined spaces, while retaining focusability, light distribution and barndoor control.

DLWAR

Same as DLWA, but with rotating barndoor leaves (patented) for vertical shadow edges when lighting from an angle.

DGRADF03/06/09

Graduated grey filters (on heat-resistant Borosilicate glass) offers smooth light distribution when lighting from an angle. Three steps of intensity: 0.3/0.6/0.9 for different angles of incidence or effects.

DSCK SET

Scrim sets consist of:

DSCFS (full single), **DSCFD** (full double), **DSCD1/2** (1/2 double), **DSCS1/2** (half single) and **DSCG** (graduated).
(one each in DSCK set)

DDCF From tungsten to daylight

DTCF From daylight to tungsten

Dichroic conversion filters.

Gel Sets

Cut to size for our filter holders, or larger, to be clipped on to the front of our barndoors: diffusion, blue, effect colors and warm tone filters.



DBD8



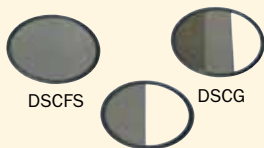
DLWA



DLWAR



DGRADF03, DGRADF06,
DGRADF09



DSCFS

DSCG

DSCD1/2



DTCF



DDCF



DG...

DP1



DP1

DP1 including 85mm projection lens
The DP1 Universal Projection Attachment/Imager works with:

DPFS

Framing Shutters – Moveable masks for precision light and shadow forms.

DPIR

Iris

DPGH Gobo Holder

DPGSET Gobo Set – 6 pieces.

DPACP

Accessory pouch for gobo, scrims, etc.

Gobo Projections:

Our steel gobos are available in more than 300 different shadow patterns (see gobo catalog), while the range of glass gobos available include multicolored and made to order variations. *Gobo sets for DP1 need DPGH Gobo Holder.*

DP2

DP2 including 85mm projection lens
The DP2 Projection Attachment/Imager is the same as the DP1, but with integrated framing shutter leaves which are easier to adjust (not suitable for iris or gobo projection). All Projection Attachments/Imagers use interchangeable lenses. These precision optics include seven different focal lengths, covering wide angle, standard, telephoto and zoom.

DPLZ120M

Zoom 70 – 120mm

DPLZ150M

Zoom 85 – 150mm

DPL185M

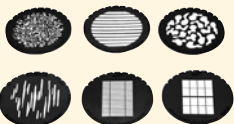
Projection lens 185mm

DPL60M

Wide-angle lens 60mm

DPL85M

Standard lens 85mm
(included with DP1 and DP2)



DPGSET

DP2



DPLZ120M



DPLZ150M



DPL185M



DPX



DPL60M



DPL85M

PROJECTION/IMAGER ATTACHMENTS



The optics of these attachments have been carefully designed to match the Dedolight double aspheric system (when used on other light sources, they will show inferior results). They offer highly precise light and shadow edges without:

- Color fringing
- Halation
- Distortion

...which plague other comparable systems in a variety of combinations.

PROJECTION/IMAGING SYSTEMS

- Create interesting background projections with gobos (for example during interviews), with otherwise dull backgrounds.
- Create the most precise effects and accents – down to the smallest detail.

PROJECTION SYSTEMS

IMAGER

THE DP1 – UNIVERSAL-IMAGER USES

- To create interesting background projections with gobos (for example during interviews), with otherwise dull backgrounds.
- To create a specific mood in your images, such as with large projections on the entire background.
- To place high precision accents or effects on your product shots, even for the smallest conceivable objects (i.e. select facets of a diamond may be specially lit). This can be done with a combination projection lens and extension tube.
- To give a video interview a “film look.” Almost all video cameras use lenses that deliver an extended depth of field compared to those used with film cameras due to their small sensor area in relation to the larger film image. The result: the background remains in focus. There is no separation from the background as you would get with the more limited depth of field of a film camera.

An out of focus background projection created by one of Dedolights DP1 imagers cannot be put back into focus by any video camera. This provides better separation between foreground and background, and gives the impression of greater depth – the magic of image creation.

BACKGROUND-EFFECT-FILTERS

Use with DP1 Imager

Five different structures in eight colors create miracles for your background.

Amazing change of shapes and moods when changing sharp projection to “out of focus”.

Can be combined (sandwiched) with steel gobo patterns.



DFXT5-R

“Mystique Squares”
Effect Filter

BACKGROUND PROJECTION



All Effect Filters are available in:
Blue (B), Purple (P),
Light blue (LB), Red (R),
Magenta (M), Yellow (Y),
Turquoise (T), Light
green (LG).

Order code example:
DFXT5-B = Blue



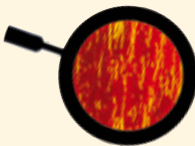
DFXT1-R

“Crystal” Effect Filter



DFXT3-R

“Cells” Effect Filter



DFXT2-R

“Flow” Effect Filter



DFXT4-R

“Fusion” Effect Filter

DFXH

Effect Filter holder
(not pictured)

DEDICATED SOFT LIGHTS

Every portable studio should include one or two soft lights.

The dedicated Dedolight soft lights do not work like the usual softbox attachment in front of a studio light. Such traditional versions are large and unwieldy and offer only a limited light output.

Worst of all, they usually show a **hot spot** in the center of the diffuser; totally contrary to the basic concept of a soft light as a “wrap around” light source.

Dedolight soft lights are designed to achieve the best possible soft light, and currently come in 11 different versions: 7 tungsten systems and 4 interchangeable daylight/tungsten systems.

- You get an even soft light, with no hot spots, because the light source sits at the focal point of the textile reflector.
- They have a higher light output (two times). The front diffuser is completely evenly lit.
- Extendable patented holding arms for the rods of the softboxes allow the use of softboxes of various sizes in order to adapt the character of the light and the transparency of the shadow borders to the distance from the object (one person/several people).

The very small, dimmable DLH1x150S mini has a light output equal to a softbox in front of a 500W studio light, making it the perfect choice for the portable studio. All Dedolight soft lights have unique characteristics that make them particularly flexible and creative lights – right up to a DLH4x150S unit that can be tuned to give you just the light you want, up to the equivalent of a 2 kW Fresnel fitted with a softbox.

How it should **NOT** look:
with a hot spot.



DLH1x150S
with DSBSXS

PANAURA® 5 • OCTODOME

THE PORTABLE WINDOW

The PanAura® 5 is the largest of our 11 soft lights. It gives extremely smooth light distribution. With its minimal depth, the PanAura® 5/Octodome does not protrude into the room further than the leg of the stand. Its shallow, easily set up construction is perfect for working in confined areas. If adding the optional grid (40° louver), the professional can retain the large smooth diffuser surface but give it distinct direction and keep the spill light away from the background.



DSOCTDT400

Tungsten/Daylight Kit:

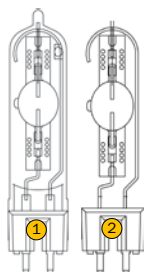
- | | |
|---------------|---|
| 1 DLH400SDT | 400/575 W Daylight/Tungsten soft light head |
| 1 DEB400DT | Electronic Ballast 400/575 W |
| 1 DPOW400DT | Cable to light head |
| 1 DEB400H | Ballast holder with clamp |
| 1 HTP400 | High temperature pouch |
| 2 DL400DHR-NB | 400/575 W Daylight lamp |
| 2 DL400THR-NB | 400/575 W Tungsten lamp |
| 1 DSBOCT | ① Octodome/PanAura® 5 |
| 1 DLGRIDOCT | ② Octodome/PanAura® 5 Grid (40°) |
| 1 DST400S | Stand |
| 1 DSCOCT | Soft case |

Size: 94 x 34 x 20 cm / 37" x 13.5" x 8"

Weight: 12.4 kg / 27.5 lbs

① 1 Lamp each plus spare

② High output 575 Watt – Tungsten discharge lamp; perfect color rendition; fully compatible with the daylight lamp; same ballast; same light output, 4 x higher than halogen.



DSOCTT-S

Tungsten Kit Standard

- | | |
|-----------------|---|
| 1 DLH1000SPPLUS | 1000 W Tungsten soft light head |
| 1 HTP1000 | High temperature pouch for DLH1000SPPLUS |
| 2 DL1000FEP | Lamp 230 V/1000 W or lamp DL1000FEL (120 V) |
| 1 DSBOCT | Octodome/PanAura® 5 |
| 1 DLGRIDOCT | Octodome/PanAura® 5 Grid (40°) |
| 1 DST400S | Stand |
| 1 DSCOCT | Soft case |

Size: 94 x 34 x 20 cm / 37" x 13.5" x 8"

Weight: 8.8 kg / 19.5 lbs

3-LIGHT KIT



Code: **SPS3**



SPS3

- | | |
|--------------|---------------------------------------|
| 1 DLH1x150S | Soft light head, 150 W tungsten |
| 1 HTP150S | High temp. resistant pouch |
| 1 DT24-1 | Power supply, 150 W/24 V |
| 1 DSBSXS | Mini Softbox |
| 2 DLHM4-300 | Light head with built-in transformer |
| 2 DPLS | Light shield ring |
| 2 DBD8 | Barndoors |
| 1 DLTFH | Dedoflex holder |
| 1 DFT30 | Diffuser, translucent |
| 1 CLAMP1 | Clamp |
| 1 DH2 | Holder |
| 3 DST | Stand |
| 1 DSTFX | Flexible stand extension |
| 2 DL150-NB | Halogen lamp 150 W/24 V, clear |
| 4 DL150 | Halogen lamp 150 W/24 V, black tipped |
| 1 DSC1/1-200 | Soft case |

Size: 65 x 34 x 35 cm / 25.5" x 13.5" x 14"

Weight: 12 kg / 26.5 lbs

QUICK AND EASY

For many small mobile teams, it is not only important to work effectively and offer the best possible quality, but also to work on a deadline.



To help achieve this, Dedolights can be set up faster and easier than any others.

Typically, the biggest delay comes at the end of the shoot, when light heads are hot, making "tear down" difficult. With Dedolight's heat resistant pouches, made with ceramic textile space technology materials, mobile professionals can quickly pack the hot light heads from the soft lights without any delay. There is no problem packing the focusing light heads while still warm.

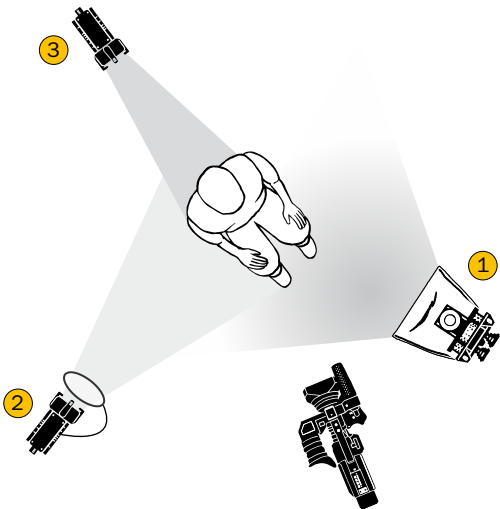
HOW TO LIGHT WITH THE 3-LIGHT KIT



SET UP IN 15 MINUTES OR LESS.

The same time period applies for the set up of the 5-light kit.





THE MOST ECONOMICAL SYSTEM – OPERATIONAL COST

With the exception of the 1000W soft light (1000S) all of the other light sources described here are low voltage lights (24V/150W).

THE ADVANTAGES:

- **LIGHT OUTPUT** – Apart from the distinctly higher light output provided by our revolutionary optical system, our 24V lamps provide 40 lumen per watt in comparison to standard halogen lamps, delivering just 20 lumen per watt.

The Dedolight low voltage system offers comparable light output to a traditional 500W studio light source.

- **LIFETIME** – Traditional halogen lamps for 3200K are usually described as having a life expectancy of 150 hours.

When used at 3200K the Dedolight lamps run approximately 600–800 hours. Even using maximum voltages at 3400K, we still reach approximately 120 hours.

Traditional halogen lamps are very susceptible to vibration and shock, so mobile teams rarely ever reach the quoted lifetimes.

- **INDESTRUCTIBLE** – Dedolight lamps are extremely resilient when subjected to hard knocks and vibration. In practice they achieve many times the life of traditional high voltage lamps.

**OUR LOW VOLTAGE LAMPS COST LESS THAN 1/4
OF COMPARABLE HIGH VOLTAGE LAMPS.**

UNBREAKABLE

Dedolights have proven to be extraordinarily rugged and dependable under the toughest circumstances.

The highly developed double aspheric system is not only compact, but able to stand up to the toughest tasks (Dedo's experience in more than 40 countries pays off).

Transport: Do not hesitate to check in your kit at the airport. Although some baggage handlers are masters of destruction, you will arrive at your destination with functioning gear and no broken lamps.

AND, the painful charges for excess baggage will result in much lower rates than you are accustomed to.



MORE LIGHT IN THE SMALLEST PACKAGE

MAGIC IN
A BOX



5-LIGHT KIT



Code: **SPS5**

2	DLH1x150S	Soft light head, 150W tungsten
2	HTP150S	High temperature resistant pouch
2	DT24-1	Power supply, 150 W/24V
1	DSBSXS	Mini softbox
1	DLGRIDXS	Mini grid
1	DSBSS	Silver dome, small
1	DLGRIDS	Grid, small
3	DLHM4-300	Light head with built-in transformer
3	DPLS	Light shield ring
3	DBD8	Barndoors
3	DFH	Filter holder
1	DGW	Gel filter, warm tone
1	DGMB	Gel filter, mixed blue
1	DGMD	Gel filter, diffusion
1	DGCOL	Gel filter, color effect
1	DSCK	Scrim set
1	DSCP	Scrim pouch
1	DP1	Projection Attachment/Imager
1	DPGH	Gobo holder
1	DPGSET	Gobo set
1	CLAMP1	Clamp
1	DSTFX	Flexible stand extension
5	DST	Stand
2	DLBOX	Plastic box
4	DL150-NB	Halogen lamp 150 W/24 V, clear
6	DL150	Halogen lamp 150 W/24 V, black tipped
1	DSC2/2-200	Soft case

Size: 83 x 40 x 33 cm / 33" x 16" x 13"

Weight: 20 kg / 44 lbs

NEW BACKPACK OPTION FITS ALL PORTABLE STUDIO KITS WITH THE EXCEPTION OF THE 6-LIGHT KIT.

To carry:

Easy, comfortable, ergonomic top quality adjustable shoulder and belt straps with two handles.

To pack:

Adjustable inner dividers offer protection, easy handling and balanced weight distribution.

To ship:

Shoulder and belt straps disappear in the zip-up kangaroo pouch. Backpack can be checked in as luggage without worrying about airport baggage handlers who have a talent for destroying equipment.

To store:

Made with top quality materials and components to protect your equipment.

Size: 70 x 50 x 30 cm / 27.5" x 20" x 12"

Weight: 4.5 kg / 10 lbs



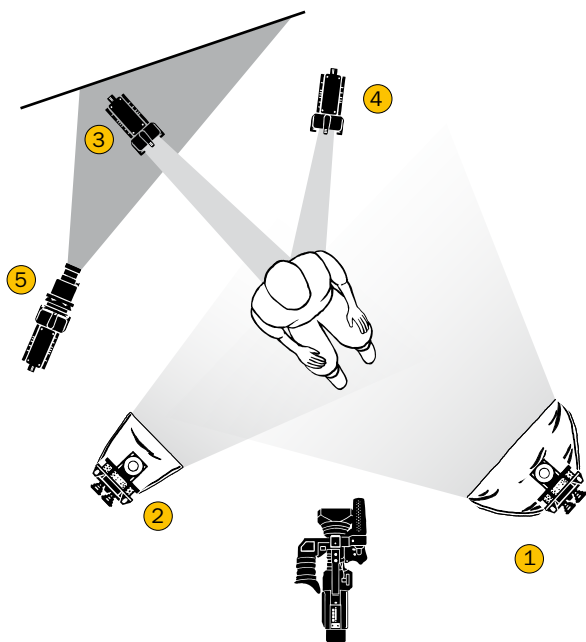
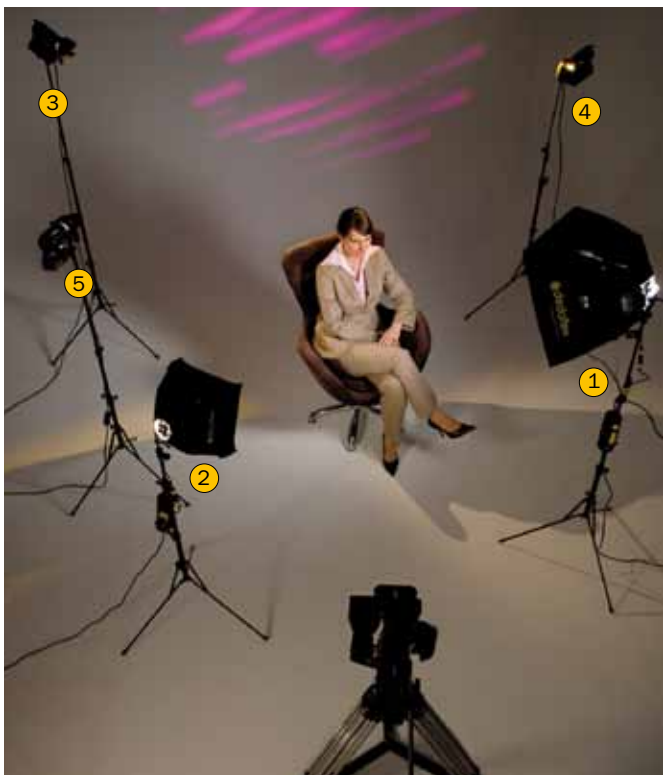
How To LIGHT AN INTERVIEW

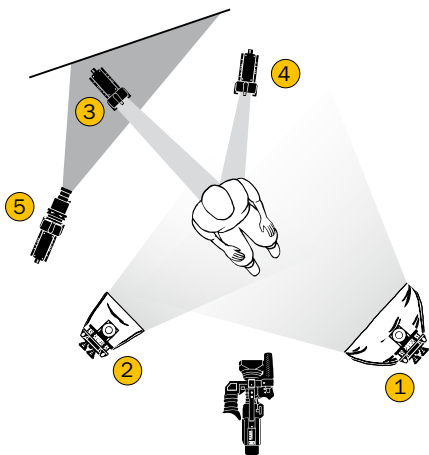


SET UP IN 15 MINUTES.

Light one person, or many, for an interview or portrait with the same kit.







1 KEY LIGHT

We recommend a Dedolight DLH1x150S soft light fitted with a small dome (DSBSS) and louver grid (DLGRIDS). The Dedolight soft light system offers unique, smooth and even light without hot spots on the diffuser, as you would find when using traditional softboxes on the front of studio lights.

With all Dedolight soft lights, the actual light source is in the focal point of the textile reflector. This is how we achieve double the light output in comparison to softboxes in front of a studio light. In addition, this soft light features a glass reflector, which further heightens the light output and improves the light distribution.

2 FILL-LIGHT

A 150W Dedolight soft light (DLH1x150S), with a mini softbox (DSBSXS) and 12" x 12" (30 x 30 cm) diffuser. This light has been used in several major Hollywood film productions (often exceeding \$100 million budgets) as a portrait light for some of the world's best-known actors.

Depending on the end use (film/TV/photo) and on the desired character of the image, one can opt for a ratio of 1:2 between the key light and fill light (TV) or a higher ratio for film lighting that is more dramatic. The Dedolight DLH1x150S soft light when used with the DT24-1 in-line power supply/dimmer is switchable to 3400 K, 3200 K and fully dimmable.

3 BACKLIGHT

The backlight should separate your subject from the background and help create a seemingly 3D effect and the illusion of depth. The unique character of the focusing Dedolight DLH4 allows for the fine tuning of the backlight with utmost precision. A slightly cooler color temperature is often desirable for the backlight. This light can be set for a color temperature of 3400 K without using any filters.

Because of its enormous focusing range and the various control accessories, it is possible to partially lower the intensity for defined areas of the image should they otherwise be too bright (contrast ratio), or to place defined accents on darker areas of the image.

The clean beam, without any stray light, can avoid unintended light in the camera lens. Focusing, scrims and dimmability allow such effects to be fine tuned so that they can add to the image creatively without being obvious. Subtlety is the key. The flexible stand extension allows you to place the light source closer to the subject without the lighting stand being in the shot.

4 THE KICKER —

THE CONTROL LIGHT

This can be placed on the unlit side of the face to give heightened plasticity and dimensionality or modeling. As with the backlight, being able to precisely tune the intensity of the lit area and color temperature is key.

5 THE BACKGROUND LIGHT

Use the louver/grid on the key light in order to keep unwanted stray light away from the background – this way you don't lose control over this very important image detail.

TWO VARIATIONS:

- a) Using the focusing DLH4 light head for the background, professionals can choose the desired intensity for the background. With barndoors, half scrims or graduated scrims, you are able to create a light and shadow form that suits the desired image. The dimmability, diffusion, warm tone or effect gels help to create the desired mood, without detracting from the subject.

- b) With the DLH4 light and DP1 imager attachment our background effect filters (page 10 and 11) open up a world of creative effects and moods.
You are able to project shadow patterns (gobo), such as leaf patterns, venetian blinds, window shadows, abstract or neutral patterns, etc. There are over 300 different gobo patterns to choose from.
You can even combine our background effects filters with the steel gobos.

By defocusing (changing the focus position of the projection lens until the projected image is out of focus), you are able to create the impression of greater depth and so separate the subject from the background and create the “film look.” In a feature film, shot on 35 mm film, this look can appear natural by the selective depth of field of the longer focal length lenses used.

With a video camera and its much smaller sensor, the same image size (angle of view) is achieved with much shorter focal lengths, which will also leave the background in focus. No video camera can put an out-of-focus projection back into focus.

For interviewing two, three or more people, you can put a medium size softbox on the key light, and the small size softbox on the fill light, or cross light with two matched key lights, plus two matched back lights.



USEFUL EXTRA EQUIPMENT AND MOUNTING DEVICES

CLAMP1 ⁽¹⁾

Dedolight clamp -

The Dedolight clamp attaches securely to stands, pipes, shelves, etc. It is fitted with a 16 mm (5/8") stud that pivots and locks in two positions.

Weight: 147 g (5.2 oz.)



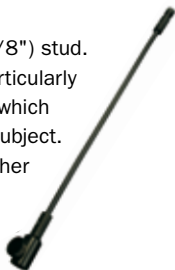
DSTFX ⁽¹⁾

Dedolight flexible stand extension -

Works with DST stand, CLAMP1, or any 16 mm (5/8") stud.

It can be bent in any direction, even S-shaped. Particularly useful to position a backlight on a lighting stand, which might otherwise be visible behind your interview subject.

Bend it twice so that the stand can be moved further out of picture. Connect the soft case with a cable tied to the stand as counterweight.



⁽¹⁾ CLAMP1 and DSTFX are included in all PS kits.

DLTFH

Flexible arm with three clips -

Holds Dedoflex 30 cm (12") translucent diffuser. Mounts between light head and stand. Converts focusing light to a soft light source.



DLTFH/DFT30

DFT30

Translucent Dedoflex Ø 30 cm (12")

DH2

Dedolight holder

Made of special elastic aircraft aluminium, the Dedolight holder not only tapes to flat surfaces but cutouts in the plate allow it to be attached to table legs and small or large pipes. Use the supplied mounting chains or gaffer tape, nails or screws.

Weight: 142 g (5 oz.)



4-LIGHT KIT (BACKPACK)



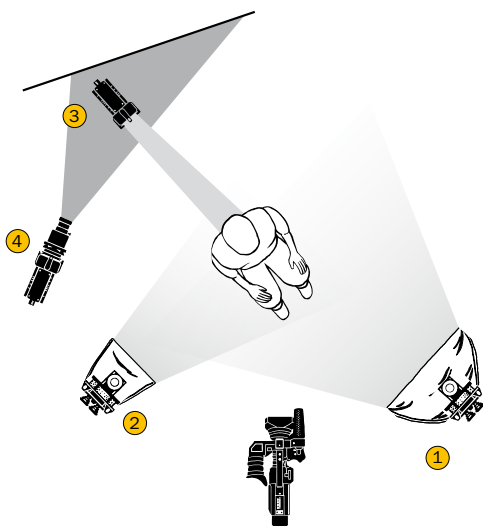
Code: **BPS4**

BPS4

2	DLH1x150S	Soft light head, 150W tungsten
2	HTP150S	High temperature resistant pouch
1	DLHM4-300	Light head with built-in transformer and dimmer
1	DLH4	Light head
3	DT24-1	Dimmable electronic in-line transformers
1	DSBSXS	Mini softbox, silver
1	DLGRIDXS	Grid, mini
1	DSBSS	Silver dome, small
1	DLGRIDS	Grid, small
2	DPLS	Light shield ring
2	DBD8	8-Leaf barndoor
1	DSCK	Scrim set
1	DSCP	Scrim pouch
1	DP1	Projection Attachment/Imager
1	DPGH	Gobo holder
1	DPGSET	Gobo set
1	DCAR3	Adapter cable for car cigarette lighter
1	DXBAT4-3	Battery cable with 4-Pin-XLR connector
4	DST	Stand
1	DSTFX	Flexible stand extension
1	CLAMP1	Dedolight clamp
1	DH2	Dedolight holder
4	DL150-NB	Halogen lamp 150 W/24 V, clear
4	DL150	Halogen lamp 150 W/24 V, black tipped
2	DL100-NB	Halogen lamp 100 W/12 V, clear
2	DLBOX	Plastic box
1	DBP	Backpack

Size: 70 x 50 x 30 cm / 27.5" x 20" x 12"

Weight: 18.7 kg / 8.5 lbs



THE DAYLIGHT CHEAT

Many interior scenes have to accommodate daylight. **FOCUSING** Dedolights can be used with a dichroic daylight conversion filter (DDCF—light loss one stop) leaving enough light intensity for backlight and kicker.

For background effect projections the light level with this filter may be limited: reduce size of projection area or create a background effect without imager/projection.

For **SOFT LIGHTS** the “cheat package” offers blue and half blue diffusers (loss with full conversion: two stops).

How to handle this situation?

- Either reduce image size so that soft light can be used from close proximity.
- OR—use “half conversion” and set white balance according to area lit by half conversion. This will render the image areas lit by pure daylight in a somewhat cooler way. Quite acceptable in many cases.
- OR—use the incoming daylight as key light because the fill light soft light needs less intensity.
- OR—in the 5-light kit, replace one of the two soft lights with a 1000S Dedolight soft light with medium softbox, which will allow a larger area to be lit.



A DLH1000S
Soft light 1000W

B DSBSM
Softbox, medium with
white diffusers
(shown with optional
blue front diffuser)

C DLGRIDM
Grid 40°



DAYLIGHT CONVERSION PACKAGE FOR:

3-Light-Kit: SPS3-DAYCON

2 Dichroic filters, half blue and full blue diffusers

4-Light-Kit (Backpack): BPS4-DAYCON

2 Dichroic filters, half blue and full blue diffusers

5-Light-Kit (Standard): SPS5-DAYCON

3 Dichroic filters, half blue and full blue diffusers

1000W Option for 5-Light Kit: SPS5-1000DAYCON

Instead of one of the soft lights (DLH1x150S and softbox small, grid small, power supply, lamp, pouch) usually contained in this kit, use 1 DLH1000S soft light complete with medium softbox (DSBSM), grid, white, half blue and full blue diffusers. Additional extra blue diffusers for the remaining mini soft light, plus 3 dichroic daylight conversion filters for the focusing lights, pouch and lamp 1000 W.

SEPARATE 1000W Option: SEP1000-DAYCON

In addition to the 5-light kit with the SPS5-DAYCON package, 1 extra DLH1000S soft light, pouch, medium softbox with white, blue and half blue diffusers, grid, lamp 1000 W, stand and soft case.

FOR MIXED LIGHT (DAYLIGHT AND FLUORESCENT LIGHT)

Correcting diffusers are in practical testing.

SUNDANCE

If your work includes daylight situations more often and you also want to work with more intense daylight, this is your best choice:

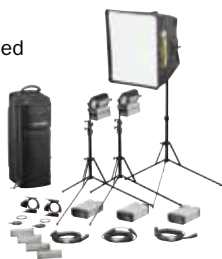
THE ONLY DAYLIGHT AND TUNGSTEN LIGHT KIT

S200-3

- | | | |
|---|-------------|-------------------------------------|
| 2 | DLH200DT | 200 W Daylight/tungsten light head |
| 1 | DLH200SDT | 200 W Daylight /tungsten soft light |
| 3 | DEB200DT | 200 W Ballast |
| 3 | DPOW200DT | Cable to light head |
| 1 | DSBSM | Silver dome, medium |
| 2 | DBD8 | 8-leaf barndoor |
| 2 | DPLS | Light shield ring |
| 2 | DTCF | Tungsten conversion filter |
| 2 | DL200DHR | 200 W Daylight lamp, blackened |
| 1 | DL200DHR-NB | 200 W Daylight lamp, clear |
| 1 | DL200THR-NB | 200 W Tungsten ceramic lamp |
| 1 | HTP200 | High temperature pouch |
| 3 | DST | Stand |
| 1 | DSC2/2-200 | Softcase |

Size: 79 x 29 x 36 cm / 31" x 11.5" x 14"

Weight: 13.9 kg / 6.5 lbs



1. PRECISION FOCUSING – DLH200DT

- Fantastic light output and focusing range beyond any comparable system
- Surgically precise beam
- Perfectly even light distribution
- Accepts all classic Dedolight accessories and imagers



2. GENTLE SOFT LIGHT – DLH200SDT

- Single purpose dedicated design
- The actual light source is in the focal center of the softbox
- Double the light output compared to softbox in front of a Fresnel
- Smooth and even light distribution on the diffuser
- Choice of many different sizes of softboxes



BOTH LIGHTS

Convert from daylight to tungsten by simple lamp change—maintaining same high light output 80 lm/W—four times higher than halogen. Both lamps guarantee professional color rendition CRI >92.



SAME BALLAST

Works with daylight and tungsten lamps.



ACCESSORIES:

LEDZILLA® / FILLINI®



DLB-NPF550 (4)

7.2 V Li-Ion battery 14.8 Wh
(2000 mAh)



DLB-NPF950 (4)

7.2 V Li-Ion battery 43.2 Wh
(6000 mAh)



DLGH-NPF (4)

Charger for NP-F batteries
Input: 100-240 V~



DLOBML-ABS

Cable 22 cm/9" with Anton/
Bauer connector



DLOBML-CAR

Cable 1.8 m (6 ft.) with
cigarette light
connector



DLOBML-P

Soft pouch for LED lights



DLOBML-AB-L

Cable 55 cm/22" with Anton/
Bauer connector



ACCESSORIES:

LEDZILLA® / FILLINI®



DLBSA-U (2) (3)

Square top fits Ledzilla®, ends in male shoe



DLBSA-3S (4)

Triple shoe with tilt lock



DLA-LB

Large Bone, 2 x female shoes and 3 x 1/4" receptacles. Mounts to camera with 1/4" screw



DLBSA-MBJ

Metal ball joint with shoe



DLA-ML

Square top fits Ledzilla®, Accepts 16 mm baby stud (5/8")



DLPS-12

Mains power supply (100-240V) with DC 12 V output



DLBML-BC

7.2 V Canon battery shoe for BP-9



DLBML-BP

7.2 V Panasonic battery shoe for CGA

DLBML-BSU

12 V Sony battery shoe for BP-U

DLBML-BS

7.2 V Sony battery shoe for NP-F / Panasonic VW-VBD1

DLBML-PBN1

Nikon photo battery shoe for EN-EL3E

DLBML-PBC1

Canon photo battery shoe for LP-E6

DLBF-8AA

External battery box for 8 AA batteries 1.5V



ACCESSORIES:

LEDZILLA® / FILLINI®



DLGA200 (4)

Articulating arm, 200 mm. Square top, male shoe or 1/4" male to camera



DLBRS (4)

Rail with 1/4" screw for camera and shoe for light head



DLBRHS (4)

Rail with folding handle, 1/4" screw for light head



DV3GA (4)

Ø 7.5 cm/3", suction cup with vacuum pump and articulating arm, 200 mm



Also suitable for:

- (1) Fillini®
- (2) FILLINIPLUS®
- (3) FILLINI click®
- (4) all Fillini® lights and Ledzilla®

DLBSA-HAND (4)

Shoe adapter with handle



DLBSA-TS (4)

Table shoe: 9.5 x 6.3 x 1.2 cm/3.7" x 2.5" x 0.5", with shoe for light



DLBSA-S (4)

Female shoe adapter to 1/4" male



DLBSA-T (4)

Female shoe adapter to 1/4" female



DLBSA-M (4)

1/4" male to mini shoe for Sony mini camcorder, use with DLBSA-T



- Unbreakable filters attach with magnets.
- Light heads stackable in a row or in other configurations.
- High efficiency reflector serves for even light distribution.
- Battery compartment and shoe for Sony batteries.



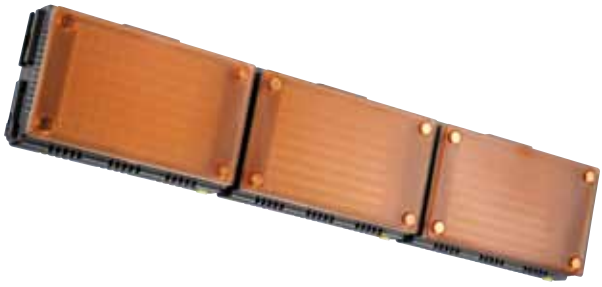
FILLINI click® / TPLINI -C
With ball head/shoe TPSA-KAI

TPLINI-AB
Cable 49 cm/19" with Anton/Bauer connector

Cables for all Fillini® lights are identical with Ledzilia® cables (see page 33).

TPL-PS12
Mains power supply

TPSA-KAI (4)
Ball joint head with shoe adapter and 1/4" thread



POWER CONSUMPTION [W]	Lux (1m)	Lux (2m)	Measurements [cm/"]	Weight [g/oz]
9	450	110	12.8 x 7.8 x 5.4 cm 5 x 3.1 x 2.1 "	231 g 8 oz.
15	800	195	10.6 x 9.0 x 5.0 cm 4.2 x 3.5 x 2 "	253 g 8.9 oz.
5	300	70	10.6 x 9.0 x 4.5 cm 4.2 x 3.5 x 1.8 "	171 g 6 oz.

FILLINI®

TEC PRO®

COMMON FEATURES OF THE FILLINI® AND FILLINIPLUS®:

- Unbreakable flip-down filters (tungsten conversion and light diffusion).
- Additional diffuser for even gentler light distribution.
- Fresnel lenses provide perfect light distribution.



Fillini® / TPLINI



FILLINIPLUS®

- FILLINIPLUS® offers three times the light output of Fillini®



FILLINIPLUS® / TPLINI-P



TPBS-S (1) (2)
Shoe for Sony NP-F batteries

TPBS-C (1) (2)
Shoe for Canon BP-9 batteries

TPBS-P (1) (2)
Shoe for Panasonic CGA batteries

Battery shoes shown in table below.

BATTERY SHOES FOR	INTERNAL POWER	EXTERNAL POWER	BATTERY SHOES FOR
FILLINI®	4 AA Batteries	4 - 15 V	Sony NP-F Canon BP-9 Panasonic CGA
FILLINIPLUS®	_____	5,8 - 16,8 V	Sony NP-F Canon BP-9 Panasonic CGA
FILLINI+uck®	5 AA Batteries / Sony NP-F	5,8 -16,8 V	Sony NP-F (non-removable)

OPTIONS: SOFT TUBE, SOFTBOX, CHINESE LANTERN

Attach by front end bayonet mount

DLOBML-LT20

Soft tube, 20 cm/8" long –
Ideal for soft light in confined areas,
e.g., car interior at night.

Detachable light shaper–folding
plastic barndoors.



DLOBML-SBX12

Softbox, 12 cm/5" wide –

Gentle fill light, easy to look at, ideal
for close ups. Filter slot accepts tung-
sten conversion filter.



DLOBML-CL14

Chinese Lantern, Ø 14 cm/5.5" –

Gentle light, evenly distributed,
ideal for general base light.



DLOBML-TCF

Tungsten conversion filter for filter slot
of all three accessories. Same filter slot
serves for gel strips from any common
swatch book. Allows nearly any kind of
color effect.

330 minute run time.

When dimmed to 50 % light
output, power consumption
drops accordingly resulting in
twice the run time.

Alternative power from any
Anton/Bauer or PAG system,
car cigarette lighter output or
battery belt.

- Power consumption is only 8 W despite its high output.
- Operates from -40° C up to +40° C.
- LED power available indicator.

LED ON BOARD LIGHT –

THE DEDOLIGHT MINI-DLOB

CODE: DLOBML

A single high powered LED –

• **Amazing output** in combination with the Dedolight double aspheric optics.

• **Focuses** like a Dedolight. LED

lights are not usually focusable.

• No other focusing LED light

compares -4° to 56° .

• **Smooth** light distribution in all

and every focusing position.

• Clean, sharp, single edge barn-

door shadow OR a very gentle

light and shadow transition with

the wide angle diffuser in place.

• Converts from daylight to

tungsten via a flip-down filter.

• Flip-up wide-angle diffuser

• Color rendition and color

distribution is cleaner than

comparable LED lights.

• Adjustable support arm allows

it to be positioned above and

forward.

• Dims extremely smoothly from

full blast all the way down to

zero without any color change.

• Powers from any 6V to 18V DC

power source.

• Optional battery shoes

are compatible with Sony,

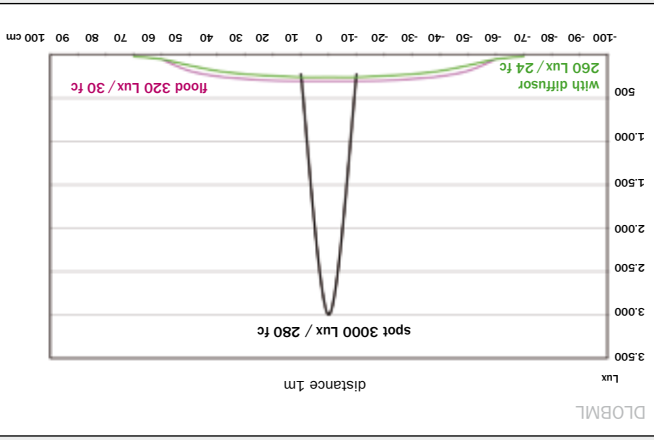
Panasonic, Canon and Nikon

mini-DV batteries.

• NP-F550 7.2V, 2000 mA,

NP-F750 7.2V, 4000 mA,

NP-F950 7.2V, 6000 mA,
210 minute run time.





Dedo Weigert Film GmbH

Karl-Weinmair-Strabe 10
80807 Munich
Tel.: +49 (0)89 356 16 01
Fax: +49 (0)89 356 60 86
www.dedoweigertfilm.de
info@dedoweigertfilm.de
www.portablestudio.eu
www.ledzilla.de

DEDOTEC USA, INC.

48 Sheffield Business Park
Ashley Falls, MA 01222
Phone: (413)229 2550
Fax: (413)229 2556

www.dedolight.com
info@dedolight.com



FILLINI®
TEC PRO®

LED LIGHTS



LEDZILLA®

PRECISION LIGHTING INSTRUMENTS

dedolight®