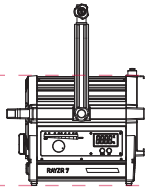
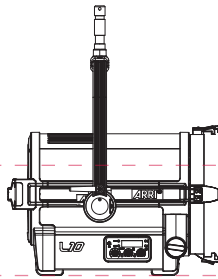
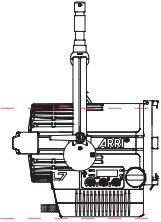
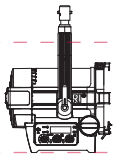


MODEL		RAYZR 7 300 DAYLIGHT	ARRI® L10-D TUNEABLE	ARRI® L7-D TUNEABLE	ARRI® L5-D TUNEABLE
LED SOURCE					
Color Rendition	▶	TLCI 95 ~ 98, CRI 92 ~ 96	TLCI Average > 92, CRI Average > 93	CRI Average > 92	CRI 92
Beam Angle		18° - 55° (Half Peak Angle)	15° to 50° (Half Peak Angle)	15° to 50° (Half Peak Angle)	14° to 50° (Half Peak Angle)
White Light		Daylight 5,600 K	5,000 - 6,500 K Continuously Variable CCT	5,000 - 6,500 K Continuously Variable CCT	5,000 - 6,500 K Continuously Variable CCT
POWER SUPPLY					
Operating Voltage	DC	▶ 24 - 36 V DC	N/A	N/A	22 - 36 V DC
	AC	90 - 132 V AC / 180 - 264 V AC	100 - 250 V AC	100 - 250 V AC	90 - 250 V AC
Power Consumption		331 W Nominal, 352 W Maximum	455 W Nominal, 475 W Maximum	180 W Nominal, 220 W Maximum	115 W Nominal
AC Power Connection		power CON TRUE1	power CON TRUE1	Bare Ends / Schuko / Edison Connector	powerCON TRUE1
DC Power Connection		speak ON NL2MP	N/A	N/A	4-Pin XLR Connector
DIMENSIONS					
Scale: 200:1	▶	 363 mm × 277 mm × 478 mm	 560 mm × 502 mm × 714 mm	 384 mm × 374 mm × 568 mm	 280 mm × 278 mm × 394 mm
Net Weight	▶	6.4 kg (14.1 lbs)	19.3 kg (42.6 lbs)	10.9 kg (24.0 lbs)	5.1 kg (11.2 lbs)
PHOTOMETRICS					
5600K, 30° @ 3m	▶	5819 lx / 541 fc	5833 lx / 542 fc	2444 lx / 227 fc	1236 lx / 115 fc
5600K, 30° @ 5m		2095 lx / 195 fc	2100 lx / 195 fc	880 lx / 82 fc	445 lx / 41 fc
5600K, 30° @ 7m		1069 lx / 99 fc	1071 lx / 100 fc	449 lx / 42 fc	228 lx / 21 fc
RETAIL PRICE	▶	\$ 1,339 € 1,269	\$ 5,000 - B&H € 4,195 - trendco.de	\$ 2,872 - B&H € 2,240 - trendco.de	\$ 2,200 - B&H € 1,850 - Videodata.com

Arri L5-D, L7-D, L10-D data from <http://www.arri.com> & Arri Photometrics APP.
 "N/A" = Data not available for above mentioned resources.
 All prices Excl. VAT.