

VCT-SP2BP
VCT-SP1BP
Camcorder Support

SONY
make.believe



Two-way Camcorder Support System

Sony's new VCT-SP2BP camcorder support is designed to smoothly integrate with consumer and professional tripod heads. A quick release system allows camera operators to easily follow the action from tripod to stabilized handheld shooting and back again.



Preset the shoulder pad to fit your size

Adjust the length of the shoulder pad and fix it using a screw



Easy transformation from tripod operation style to shoulder support style



1. Easily detach the camcorder from tripod



2. Stretch out the shoulder pad and put camcorder on shoulder

* Instant support is available using only the shoulder pad

3. Lower the chest pad

4. Stretch out the chest pad

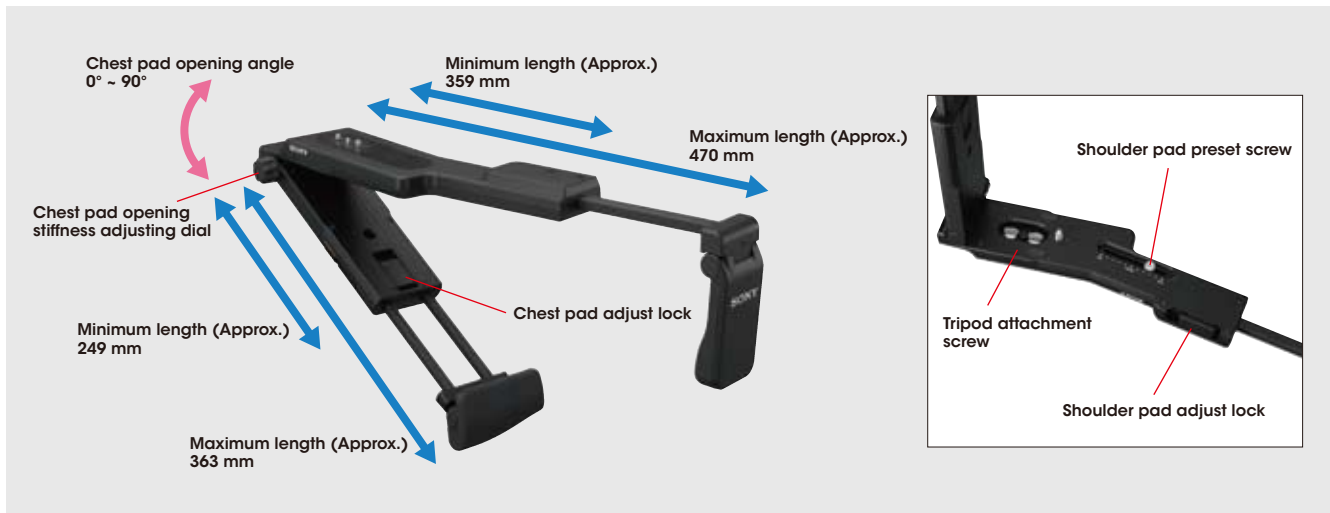


5. A three point support is achieved using the "shoulder", "chest" and "your hand"

Comes with various adaptors



Perfect Design for Both Shoulder Support and Tripod Usage



Multi-purpose Camcorder Support System

Weight Support for Stable and Comfortable Shooting
VCT-SP1BP is a weight support system for handheld camcorders.
Shoulder and hip weight distribution reduce hand/arm load weight.



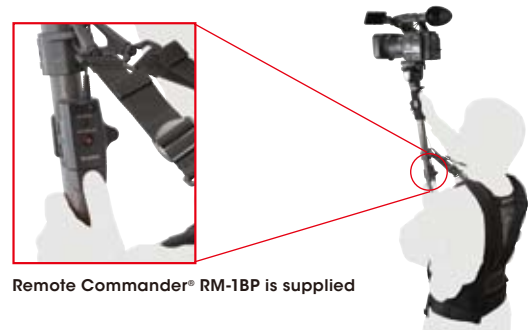
Maintain Shooting Mobility

Comfortable and portable, the monopod system provides mobility to allow flexible shooting styles. Easy set-up with one action harness connection attach/detach system.



Remote Control Capability

Remote Commander® RM-1BP is supplied with this system. You can remotely control the basic functions of your camcorder such as record start/stop, zoom and focus. This is especially useful for high angle shooting where you cannot operate your camcorder directly,



Supports Varieties of Shooting Styles

Using the VCT-SP1BP, you have the flexibility to move around while maintaining a stable shot even in crowded areas. Three main shooting styles are possible with the VCT-SP1BP.

1. Normal shooting
2. High angle shooting
3. Monopod shooting



Normal Shooting



High Angle Shooting



Monopod Shooting

Perfect Design as a Camcorder Monopod

Quick shoe plate



Slide bolt
For weight balance

Two bolts (removable)
For more stable attach



Screw a bolt by fingers



Left side tilt lock lever

Oil fluid head (tilt)

Rubber foam

Safety lock

Quick shoe lever

Counter balance adjustment

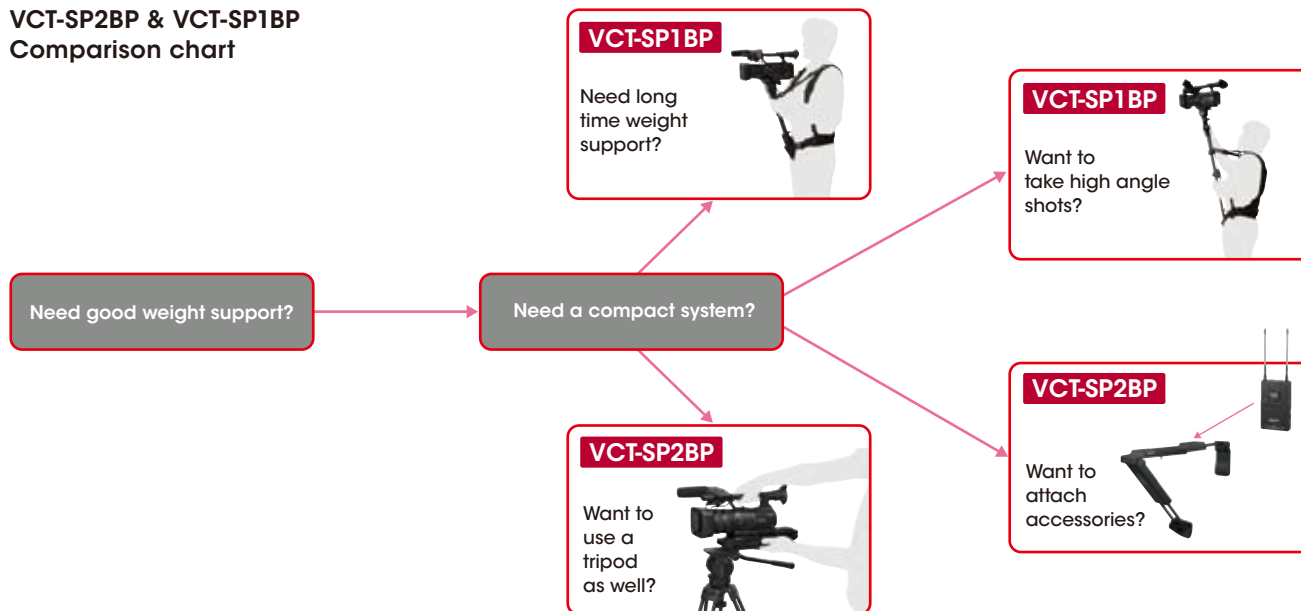
Carbon shaft

Lever type adjustment

1670 mm

522 mm

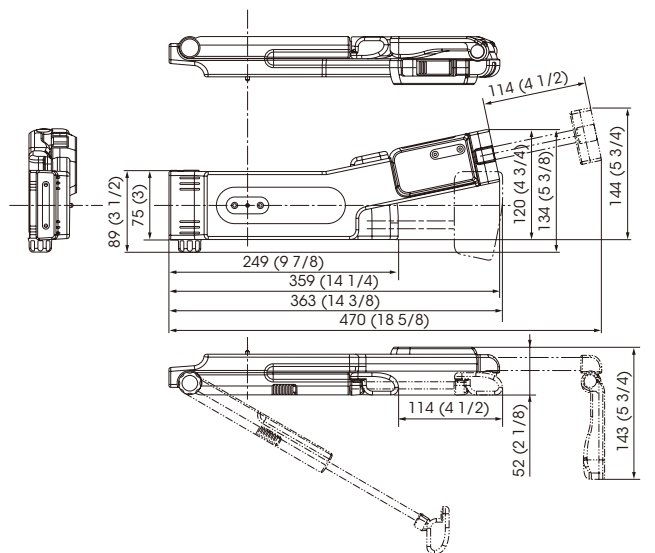
VCT-SP2BP & VCT-SP1BP Comparison chart



Specifications

	VCT-SP2BP
Dimension (Approx.)	W 359 x H 52 x D 134 mm (14 1/4 x 2 1/8 x 5 3/8inches)
Weight (Approx.)	840 g (29.6 oz)
Maximum Load	4 kg (Not only camera, but all attached load)

DIMENSIONS

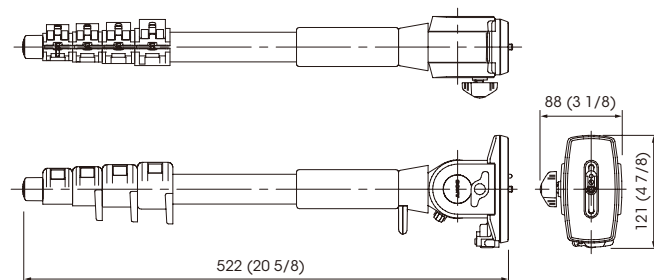


Unit: mm (inches)

Specifications

	VCT-SP1BP
Monopod	
Dimension (Approx.)	Max. Height 1670, Min. Height 522 mm (65 7/8 , 20 5/8inches)
Weight (Approx.)	1.3 kg (2 lb14 oz)
Maximum Load	5 kg (Not only camera, but all attached load)
Tilting Angle <Down>	60 degrees
Tilting Angle <Up>	45 degrees
Remote Controller	
Rec. Start / Stop	Rec. Start / Stop
Zoom	Variable Zoom
Other functions	Zoom Speed (3steps), Zoom Direction Switch, Rec Review, Focus
Length of Cord (Approx.)	1000 mm (39 3/8inches)

DIMENSIONS



Unit: mm (inches)

Distributed by

©2010 Sony Corporation. All rights reserved.
 Reproduction in whole or in part without written permission is prohibited.
 Features and specifications are subject to change without notice.
 All non-metric weights and measurements are approximate.
 Some images in this brochure are simulated.
 Sony and the Sony logo are registered trademarks of Sony Corporation.