



# yellobrik®

# yellobrik®

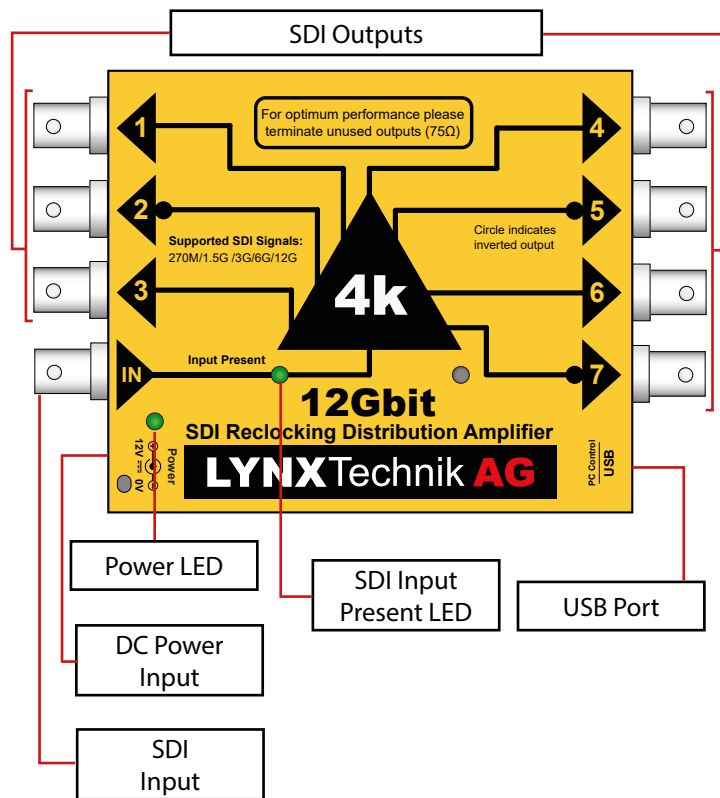
## Quick Reference

### Technical Specifications

<b>SDI Input</b>	1 x SDI; 75 Ohm BNC connector
	SMPTE 424M, SMPTE 292M, SMPTE 259M, SMPTE 2081, SMPTE 2082
	Multi-standard operation from 270Mbit/s to 12Gbit/s; reclocking
	Input present LED indication
	Electrical Return Loss: >15dB from 5MHz to 1.5GHz, >10dB from 1.5GHz to 3GHz, >7dB from 3GHz to 6GHz; >4dB from 6GHz to 12GHz
	Automatic cable EQ
	320m @ 270Mbit/s, 200m @ 1.5Gbit/s, 150m @ 3Gbit/s; 90m @ 6Gbit/s; 80m @ 12Gbit/s
<b>SDI Outputs</b>	7 x multi-rate reclocked SDI outputs ; 75 Ohm BNC connectors
	SMPTE 424M, SMPTE 292M, SMPTE 259M, SMPTE 2081, SMPTE 2082
	Electrical Return Loss: >15dB from 5MHz to 1.5GHz, >10dB from 1.5GHz to 3GHz, >7dB from 3GHz to 6GHz; >4dB from 6GHz to 12GHz
	Alignment Jitter < 0.2 UI @ 270Mbit/s, < 0.2 UI @ 1.5Gbit/s, < 0.3 UI @ 3Gbit/s, 6Gbit/s, 12Gbit/s
<b>Power</b>	+12V DC @ 2.8W nominal - ( supports 7 - 24V DC input range )
<b>Physical</b>	Size: 138mm x 90mm x 22mm (5.43" x 3.54" x 0.86") including connectors Weight: 240g (8.46oz)

## DVD 1417

### 12G 1>7 SDI Reclocking Distribution Amplifier



We are constantly adding more yellobrik modules.  
Please visit our website for the latest product updates.

[www.lynx-technik.com](http://www.lynx-technik.com)

**LYNXTechnik AG®** | Broadcast Television Equipment

## Connections

All connections are clearly indicated on the module and self explanatory. The I/O impedance is 75 Ohm.

## Operation

The DVD 1417 has one multi-format SDI channel, with seven SDI outputs. Different SDI video formats and standards (12G, 6G, 3G, 1.5G and 270M) can be transmitted and received. The "Signal Present" LED (one per input) is illuminated when a valid input signal is connected.

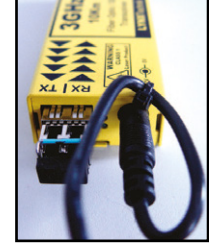
Operation is fully automatic. The SDI input rates are automatically detected, relocked and provided on the SDI output connectors. No user settings are provided for this module. The module supports hot swapping and hot plugging of connections.

## Power

The module requires a 12V DC power input and the LED confirms when power is connected. A power supply is provided, however if you use your own power supply, please provide a clean power source between 7 and 24V DC. Power consumption information can be found in the technical specifications table.

## Power Lead Strain Relief

The module (different module shown here) has a small hole in the case which is located above the power connection. Use the supplied tie-wrap and secure the lead as shown below. This prevents the power lead being accidentally pulled out.



## Optional Mounting Solutions

The optional RFR 1001 mounting bracket can be used to permanently mount the module on any surface or on 19" rack rails.



The optional RFR 1000-1 rack mount can be used to permanently mount up to 14 yellobrik modules. In addition, the RFR 1000-1 can provide full power redundancy for all mounted yellobriks.

