

HDT Heavy-Duty Tripod Range

	HEIGHT	RADIUS	SPREADER
	m.m.	m.m.	
MAX.	928	950	INTEGRAL *
MIN.	586	590	INTEGRAL *
MAX.	1230	380	INTEGRAL
MAX.	1230	380	FLOOR (MIN)
MIN.	590	575	FLOOR (MAX)

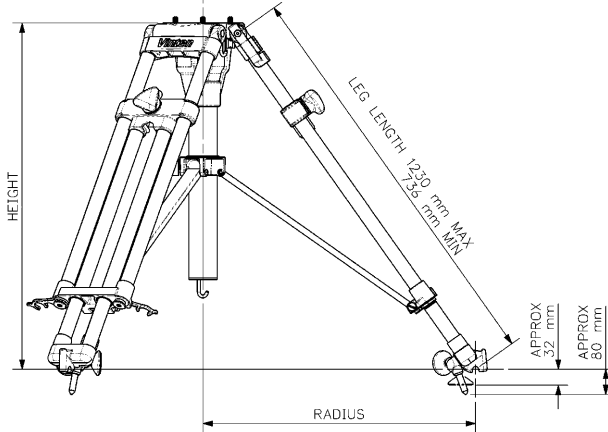
* FULLY DEPLOYED

FOLDED DIMENSIONS (MAXIMUM OUTLINE):
 Ø 240 x 780 LONG

STANDARD MOUNTING INTERFACE:

4 - 3/8" BSW BOLTS ON 111.12 m.m. PCD
 (MAXIMUM PROTRUSION 12.0 m.m.)

WEIGHTS: TRIPOD AND INTEGRAL SPREADER: 13.5 Kg
 TRIPOD AND CENTRE COLUMN: ... 11.7 Kg
 TRIPOD ONLY: 10.7 Kg
 TEMPERATURE RANGE: -40°C to 60°C



	HEIGHT	RADIUS	SPREADER
	m.m.	m.m.	
MAX.	1170	960	INTEGRAL *
MIN.	584	530	INTEGRAL *
MAX.	1470	380	INTEGRAL
MAX.	1460	380	FLOOR (MIN)
MIN.	511	575	FLOOR (MAX)

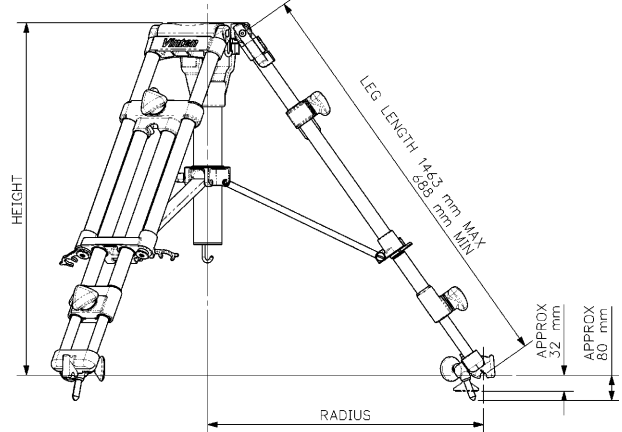
* FULLY DEPLOYED

FOLDED DIMENSIONS (MAXIMUM OUTLINE):
 Ø 240 x 725 LONG

STANDARD MOUNTING INTERFACE:

4 - 3/8" BSW BOLTS ON 111.12 m.m. PCD
 (MAXIMUM PROTRUSION 12.0 m.m.)

WEIGHTS: TRIPOD AND INTEGRAL SPREADER: 15.3 Kg
 TRIPOD AND CENTRE COLUMN: 13.8 Kg
 TRIPOD ONLY: 12.8 Kg
 TEMPERATURE RANGE: -40°C to 60°C



Main assemblies

HDT-1 single-stage tripod	3901-3
HDT-2 two-stage tripod	3902-3
Elevation unit	3370-3
OB dolly	3497-3B
Studio dolly	3497-3C
Tracking dolly (black), 12.5 cm twin wheels	3369-51
Tracking dolly (black), 6.2 cm quad wheels	3369-57
Mid-level spreader for single-stage tripod	3901-25
Mid-level spreader for two-stage tripod	3902-25

Optional accessories

Heavy-duty QuickFix adaptor	3490-3
100 mm levelling bowl adaptor	3330-16
150 mm levelling bowl adaptor	3330-17
Four-bolt adaptor	3368-24
Floor spreader	3367-3
Spanner - for head fixing bolts	J551-001

Technical Data

Vinten

Tripod

Maximum height with floor spreader

Minimum height with floor spreader

Weight

Transport length

Recommended maximum load

HDT-1

123 cm (48.4 in.)

59 cm (23.2 in.)

13.5 kg (29.7 lb)

78 cm (30.7 in.)

140 kg (308 lb)

HDT-2

146 cm (57.5 in.)

51.1 cm (20.1 in.)

15.3 kg (33.7 lb)

72.5 cm (28.5 in.)

120 kg (265 lb)

Elevation Unit

Load capacity with HDT-1 tripod

113 kg (250 lb)

Weight

5 kg (11 lb)

on-shot stroke

45.8 cm (18.0 in.)

Minimum height with HDT-1 tripod and floor spreader

71.5 cm (28.1 in.)

Maximum height with HDT-1 tripod and floor spreader

181.2 cm (71.3 in.)

Dolly

Load capacity

Weight

Folded size
cm x 26.2 cm

10.3 in)

Leg radius

Wheel diameter

Height to tripod mounting

Studio

160 kg (352 lb)

9 kg (19.8 lb)

28.1 cm x 75.7 cm x 24 cm

11 in. x 29.8 in. x 9.4 in (11 in. x 30.2 in. x

50 cm (19.7 in.)

12.5 cm (5 in.

22.9 cm (9 in.)

OB

160 kg (352 lb)

9 kg (19.8 lb)

28.1 cm x 76.6

50 cm (19.7 in.)

15 cm (6 in.)

25.2 cm (9.9 in.)

Tracking dolly

Load capacity

160 kg (352 lb)

Weight

11 kg (24 lb)

Folded size

36 cm x 64.4 cm x 23 cm (14 in. x 26 in. x 9 in.)

Vinten Broadcast Limited
Western Way, Bury St. Edmunds
Suffolk IP33 3TB, United Kingdom
Telephone +44 (0)1284 752121
Telefax +44 (0)1284 750560
Sales Office Fax +44 (0)1284 757929

Vinten GmbH
Gebäude 16
Planiger Straße 34
D-55543 Bad Kreuznach, Germany
Telephone +49 (0) 671/483 43-30
Telefax +49 (0) 671/483 43-50

Vinten Japan KK
3-37-5 Sendagaya
Shibuya-Ku, Tokyo 151-0051, Japan
Telephone +81 3-3478-6017
Telefax +81 3-3478-6018

Vinten Inc.
709 Executive Boulevard
Valley Cottage, NY 10989, USA
Telephone +1 845 268 0100
Telefax +1 845 268 0113
Toll Free 1 888 4 VINTEN (Service)
1 888 2 VINTEN (Sales)

Vinten Broadcast s.a.r.l.
171, Avenue des Grésillons
92635 GENNEVILLIERS Cedex
France
Telephone +33 08 20 82 13 36
Telefax +33 08 25 82 61 81

Vinten Asia Pacific Pte Ltd
6 New Industrial Road
#02-02 Hoe Huat Industrial Building
Singapore 536199
Telephone +65 62975776
Telefax +65 62975778

Vinten