

Dies ist der Cache von Google von <https://www.sachtler.com/en/sachtler/system-aktiv12t-flowtech100-ms/c-26/p-2611>. Es handelt sich dabei um ein Abbild der Seite, wie diese am 1. Sept. 2022 02:06:55 GMT angezeigt wurde. Die [aktuelle Seite](#) sieht mittlerweile eventuell anders aus. [Weitere Informationen](#).

[Vollständige Version](#) [Nur-Text-Version](#) [Quelle anzeigen](#)

Tipp: Um deinen Suchbegriff schnell auf dieser Seite zu finden, drücke **Strg+F** bzw. **⌘-F** (Mac) und verwende die Suchleiste.

sachtler

System aktiv12T flowtech100 MS

Sachtler system aktiv12T Touch & Go with flowtech100 tripod, mid-level spreader, carry handle and bag

SKU: S2074T-FTMS



Sachtler System aktiv12T flowtech100 with sideload and mid-level spreader

Weighing only 7.4 kg (16.3 lbs.) the aktiv12T flowtech100 system is both lightweight and durable, designed to be a long-serving and high-performing part of your kit. This system is the perfect choice for professional medium-sized camcorders and digital Cine camera set ups of up to 14 kg (30.9 lbs.). 15 counterbalance steps allow for fast and precise balancing of your camera. Its Touch & Go mechanism with a sliding range of 70 mm make loading and positioning the camera quick and easy. Seven drag settings provide smooth and fast to adjust drag performance without jolts or vibrations. The illuminated PrismBubble with top or side view makes levelling easy from any height.

Fluid Head

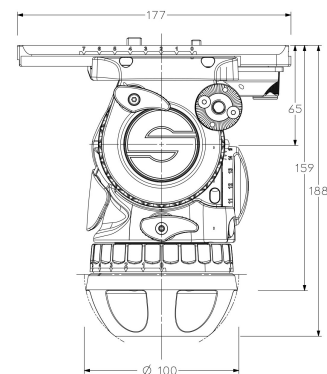
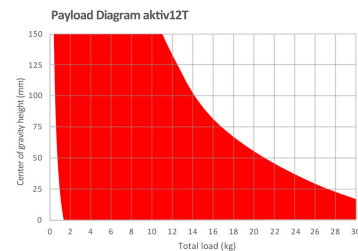
The aktiv12T fluid head with unique SpeedLevel™ technology can be levelled in seconds giving you time to get the perfect shot in documentary, corporate, news or wildlife applications. The SpeedSwap™ system delivers the fastest way to switch between tripod and slider in seconds giving you ultimate flexibility.



with high torsional stiffness has unique quick release brakes which can be deployed and adjusted in an instant. Its ergonomic design makes the tripod comfortable to carry, on shoulder or carry handle, no matter where your creativity takes you. flowtech comes with a quick attach rubber foot mechanism and an adjustable mid-level spreader. When you are ready to move on, the legs are hold together by a magnetic lock for transportation.

Technical Specifications

Feature	Value
Range	aktiv
Pan bar count	1
Payload	0 to 14 kg
Bowl size	100 mm
Spreader type	Mid-level spreader
Material	Carbon Fibre
Transport length	870 mm
Tripod stages	2
Weight	7.40 kg
Height Range without spreader	0.23 to 1.70 m
Height With Mid Spreader	0.71 to 1.72 m
Temperature range	-40 to 60 °C
Tilt range	90° to -70°
Sliding range	120 mm
Interface Compatibility	Touch & Go
Counterbalance	15 + 0 counterbalance steps
Drag	7 + 0 drag settings



What's in the box?

aktiv™12T fluid head with Touch & Go plate 16 and one pan bar DV 100; flowtech®100 tripod with mid-level spreader, rubber feet, carry handle, attachment mount; padded bag ENG

- Pan bar DV 100
- Touch & Go Plate 16
- flowtech® attachment mount
- Mid-level spreader flowtech®100
- Tripod flowtech® 100 MS
- Padded bag ENG
- Rubber Feet flowtech®
- Carry handle flowtech, rotating





