

Video 75 Plus Studio

Sachtler Video 75 Plus Studio Fluid Head with V-Plate and Pan Bars

SKU: 7501



Capable of delivering high performance while supporting 85 kg, Sachtler Video 75 Plus Studio Fluid Head is a versatile and durable addition to your gear. The 24-step counterbalance system and sliding plate works in any environment to secure your camera in place and provide perfect balance at all angles. The modular design makes it simple to customise your gear to get the performance you need.

The Video 75 Plus EFP also boasts many of Sachtler's innovative features, including Touch & Go quick release and automatic locking for speedy mounting and removal and frictionless leak proof fluid damping with nine levels of drag for smooth movement. If speed is critical, you can disengage the drag without affecting the counterbalance, and since the system contains no hydraulic oil you never have to worry about leaks.

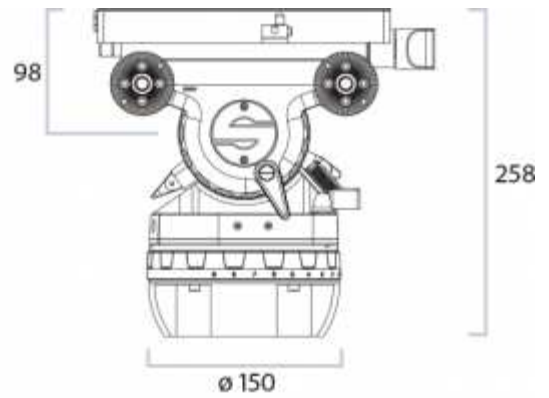
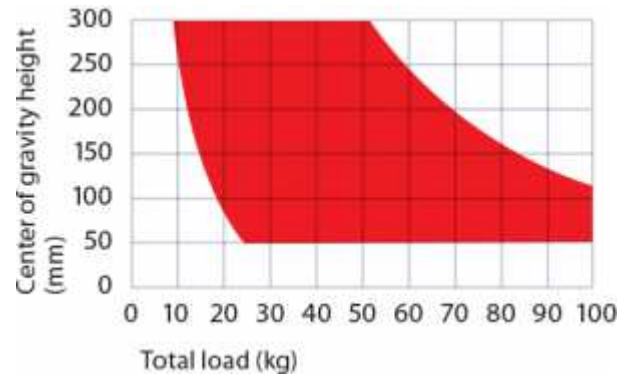
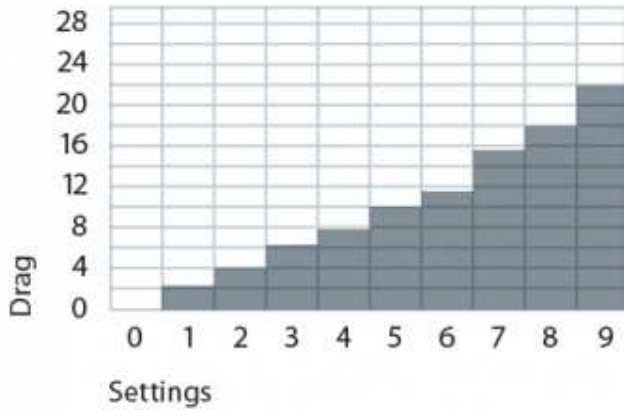
Technical Specifications

Feature	Value
Range	Studio
Payload	12 to 85 kg
Counterbalance	24 steps + Boost Button
Drag	9 + 0 drag settings
Weight	14.60 kg
Pan bar length	400 mm
Pan bar type	Pan bar front sections
Pan bar attachment	28.5/-/- mm
Pan bar count	2
Level bubble	Yes, illuminated
Battery type	3 x 625U or LR9
Adaptor viewfinder extension	Optional Adaptor
Bowl size	Flat base
Camera plate	V-plate
Temperature range	-40 to 60 °C
Tilt range	+80° to -60°
Sliding range	145 mm
Interface Compatibility	V-plate



What's in the box?

- Video 75 Plus Studio fluid head with two pan bar front sections and V-plate
- Standard Wedge with Fixing Screws



flat base (half ball with adapter)