

SERIES LED 40W



Power Supply for DLED4

AC power supply for DLED4 daylight (DLED4-D) and DLED4 tungsten (DLED4-T) light heads.

Allows worldwide use from 90 - 264 V AC* 50/60 cycle plus continuous dimming.

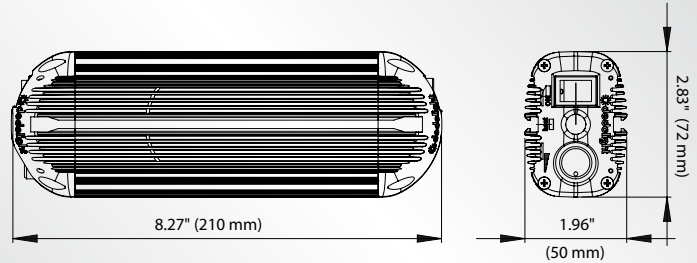
The DT4-BI, same as above but with extra control for continuous change of color temperature from daylight to tungsten.

Add suffix "-DMX" for above ballasts with DMX control DT4-DMX.

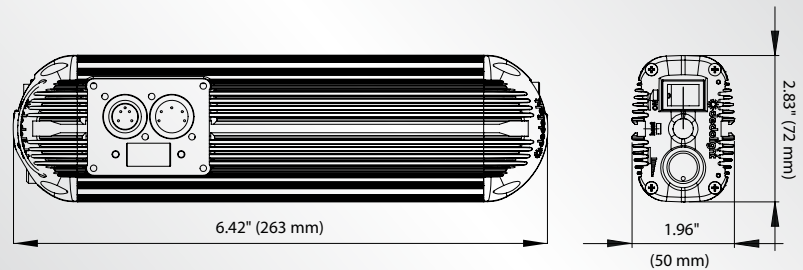
The DT4-BATXLR / DT4-BAT-AB (D-TAP) is much smaller and allows operation from any 10,2-18V source.

The DT4-BI-BAT-XLR / DT4-BI-BAT-AB (D-TAP), same as above but with extra control for continuous change of color temperature from daylight to tungsten.

DT4



DT4-DMX / DT4-BI / DT4-BI-DMX



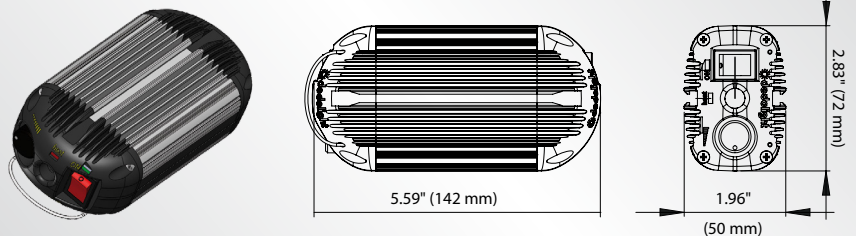
Weight: 2.43 lb / 1,100g

POWER SUPPLY FOR AC OPERATION:

DT4, DT4-BI

Input Voltage	90 - 264 V AC * 50 VA / 0,5-0,21 A 47 W
Output Voltage	40V
Controls	ON/OFF switch, dimming knob
Dimming	Continuously from 100-0%
Safety	Protection Class I, IP40
Cable length (plug -> power supply)	Mains cable 8.2' / 2.5 m
Cable length (plug -> light head)	Cable to light head 4.6' / 1.4 m
Mounting	Cable loop
Weight	2.2 lb / 1,000g
Size	L: 8.3" (210 mm) W: 2.8" (72 mm) H: 2" (50 mm)

DT4-BAT / DT4-BI-BAT



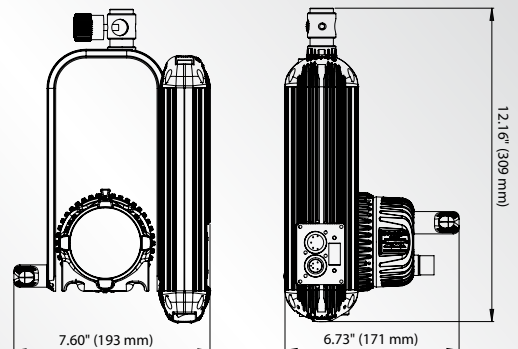
Weight: 0.75 lb / 340g

input voltage: 10,2-18 V DC

Studio Version

- DLED4SE-D**
- DLED4SE-T**
- DLED4SE-BI**
- DLED4SE-D-DMX**
- DLED4SE-T-DMX**
- DLED4SE-BI-DMX**

Weight: 5.07 lb / 2,300g



*] functional range including tolerances



Dedo Weigert Film GmbH

Karl-Weinmair-Straße 10
80807 Munich / Germany

Tel. +49 89 - 356 16 01
Fax +49 89 - 356 60 86

info@dedoweigertfilm.de
www.dedoweigertfilm.de