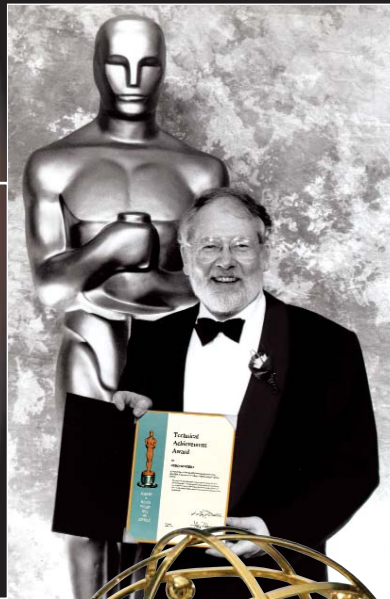


 dedolight



THE TWO FACES OF LIGHT



1990



2002



2003



Dedolight – a story of dedication and success

The first Dedolight was built in 1984 with the original concept evolving out of my experiences as a Director of Photography since 1963. For many years, we built only one version and size, and still, it became the single best selling lighting instrument for professional motion picture, television, still photography, and architectural uses worldwide.

By 1990, Dedolight and its revolutionary optical principle of the dual lens concept had so successfully established itself as a well known standard in the international film community that it earned the Technical Achievement Award from the Oscar Committee of the Academy of Motion Picture Arts and Sciences.

By the year 2000, larger sizes of lights in both daylight and tungsten were introduced - the Series 400. These lights, while incorporating both a patented triple zoom focus and our new patented Double Aspherics² technology allows for further enhanced light output, tighter focusing range, and more even light and color distribution.

Four of the highest awards in the industry

It didn't take long for the revolutionary Series 400 to gain recognition among the professional community. In 2002, the Dedolight design team was presented with the Cinec Award, and in 2003 awarded with both a Scientific and Engineering Award from the Oscar Committee of the Academy of Motion Picture Arts and Sciences and an esteemed Emmy Award from the Academy of Television Arts and Sciences.

2003 also hosted the introduction of a new generation of the classic Dedolight when we developed a way to incorporate both the qualities of the new generation "Double Aspherics²" system with the added focusing motion into the classic Dedolight.

Through the years, we have continued to stay on top of market trends and needs, and while we continue to reinvent our Dedolights, we are constantly creating new lighting equipment for the ever-evolving professional. Since we understand that many lighting situations demand both direct light as well as gentle, wrap-around soft light, we also build dedicated soft light sources that offer a distinctly defined clean character beam without compromise.

From the beginning, we have never stopped trying to improve our Dedolights and we have relentlessly pursued innovative optical principles and concepts designed to further improve our professional lighting instruments, and it does not end here, it continues to be a day-to-day ingredient of our continued dedication and enthusiasm.



Dedolight

... dedicated to the art of lighting



The two faces of light





















Many lighting situations demand both direct light as well as gentle wrap around soft light. As manufacturers of various types of lighting equipment, we also build dual purpose light sources which may be converted from direct light to a soft light source... the DedoPAR. To eliminate having to compromise the quality of light, often common with dual purpose lighting instruments, Dedotec raised the bar and began to design and manufacture totally dedicated lighting instruments:

- Precise focusing instruments with a distinctly defined beam character yet very smooth and even light distribution within the beam
- Dedicated single purpose soft light sources, that are best suited for the task without compromise
- Now offering the image creator both faces of light

Dedolight

... dedicated to the art of lighting

Table of Contents

Introduction		3
The many uses of Dedolight		6
Feature Films and TV Drama		6
Commercials		7
Special Effects		7
Documentary		8
Mobile Crews		8
Architectural Photography		8
Product and Portrait Photography		9
Museum Lighting		10
Scientific and Industrial		10
Dedolight Technology		11
Dedolight Series 400		17
Series 400 Accessories		26
Series 400 Imager		27
Series 200		30
Classic Series		33
Power Supplies		38
Battery Belts and Packs		41
Camera Light		43
Lamps		44
Accessories		45
Filters		46
Reflectors/Diffusers		47
Imaging		48
Mounting Accessories		53
Dedocool		55
Equipment Cases		56
Dedolight Kits	   	60
Soft Box Options		88
Photometrics		90
Index by Product Code		96
Photo Credits		97



Tungsten



Daylight



Light head works with daylight lamp and tungsten ceramic lamp (same ballast)



Accessories

Catalog #5/2007

Dedolight and **Aspherics²** are registered trademarks of Dedotec Optronische und Mechanische Systeme GmbH.

All other trademarks are the property of their respective companies. We reserve the right to change, in whole or in part, prices, product specifications, products offered, terms and conditions of sale, and policies without notice. A complete copy of the Dedolight warranty is available upon request.

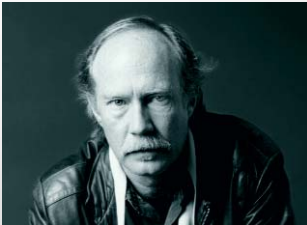
©2007 Dedo Weigert Film GmbH. All Rights Reserved.



THE MANY USES OF DEDOLIGHT

Feature Films and TV Drama

General lighting in feature films has been a fantastic success for Dedolight. Although a number of feature films were lit exclusively with Dedolight, they are generally used to augment other conventional and fluorescent light sources.



Jürgen Jürges, DoP
(*We children from Bahnhof Zoo, Funny Games, About the looking and finding of love*)

"For me, the system offers a wonderful opportunity to light distant, hard to reach parts of the set with great precision and without flattening the rest (remainder). I won't shoot without them."

This was one of the first compliments we received for our clean beam concept and no stray light.



Tom Stern, DoP
(*Mystic River, Million Dollar Baby, The Exorcism of Emily Rose, Romance and Cigarettes*)

"Every rose in 'American Beauty' was lit with a Dedolight. We would have been lost without it."

The larger Series 400 lights have also established their role in general lighting for feature films. When creating highly defined lighting effects, these lights offer unequalled qualities.



Steven Poster, ASC
(*Stuart Little I – II, Donnie Darko, Daddy Day Care*)

"On 'Donnie Darko' I used it to simulate a projector in a movie theatre."



Julio Macat, ASC
(*Home Alone I – III, The Nutty Professor, Wedding Crashers*)

"We were trying to create several hot spots on a table in a conference room with a very low ceiling that would up light and light the actors. I was really impressed by the amount of light the Dedolights put out and the quality was...wonderful."

Many top directors of photography have made both the classic and Series 400 Dedolight a standard part of their tools.



Dante Spinotti, AIC, ASC
(*Heat, The Insider, Red Dragon, Pinocchio, X-Men: The Last Stand*)

"The fact that I could easily control the light with the dimmer and the beam with the barn doors...made that light priceless."



Russell Carpenter, ASC
(*Titanic, Charlie's Angels I – II, True Lies*)

"The Dedolight 400D is the missing link in my lighting arsenal."

The special character of the Dedolight escapes technical definition, but refers to the subtle uniqueness of the light created by these instruments.



Duncan Brown, DoP
(*You Rang My Lord, Tales from Hollywood, The Maitlands*)

"It cuts like a rapier in a swath of soft light."



Roy Wagner, ASC
(*CSI: Crime Scene Investigation, Drop Zone*)

"It's like working with an instrument...like a musical instrument. It's a wonderful painter's brush that's not just one type of brush. It's a multi valuable tool."

Commercials

When shooting commercials great care is taken to make products, cosmetics or food look the most attractive. Here, both classic and Series 400 Dedolights have become a standard for lighting defined and at the same time subtle effects.

The Imager projection attachment provides unsurpassed precision for highlights, reflexes and incredibly small accents.

The Series 400 lights are also used to light women's close-ups, with no added diffusion – a compliment to the silky smooth light distribution within the beam.



Stuart Harris,
Commercials

"The quality of this light really has to be seen to be believed. An essential part of my lighting equipment especially for glamour."

Special Effects

Special effects for many top feature films were lit with Dedolight. Some exclusively, others with special requirements such as a high speed sequence in 'Armageddon'.



Doug Trumbull
(*2001 A Space Odyssey, Blade Runner, Close Encounters of the Third Kind*)

"For the 'Back to the Future' OMNIMAX ride, Dedolights were the answer. We developed an entirely natural look by breaking our key down into many individual beams. I'll never shoot without them."

Several Dedolights may be used to create the impression of rays emanating from a single hidden source. The use of parallel beams creates the impression of a far away light source. Conventional single sources would noticeably give away the fact that the sun is placed directly outside the studio window.



Dave Hardberger,
Special FX
(*Lord of the Rings I & III, Final Destination I & II, League of Extraordinary Gentlemen*)

"They're extremely controllable, they have the intensity and they're also really small so you can hide them behind a lot of things and still do a camera move. I'm very happy with them, very good!"

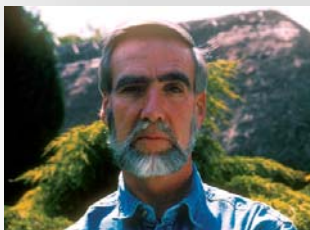


Nigel Stone, BSC
Special FX
(*Harry Potter I – IV, V for Vendetta, Charlie and the Chocolate Factory*)

"I have been an admirer of Dedolight since they were first available in the UK and I would not like to go into a VFX shoot without being able to call on them."

THE MANY USES OF DEDOLIGHT

Special Effects



Peter Parks
Gordon E. Sawyer Award
(A.M.P.A.S.)
for lifetime achievement
(Solar Crisis, Superman,
Bugs!, The Fountain)

"I can truthfully say that without the Dedocools, the optical advances that I pioneered in both 2-D and 3-D would not have been possible."

Documentary

Dedolights have also found their place in documentary applications. Versatile, compact, rugged, lightweight multi-fixture packages with several power options allow a highly differentiated way of lighting. Super quick set ups under short time constraints as well as wonderful nuances of subtle lighting have left the Dedolight mark on these applications.



Duri Mayer
(Cameraman)
(Icewalk-Adventure North
Pole, Sturmflut)

"In 'Project Icesail', three Dedolights were affixed to the masthead of a sailing ship, mounted in March and derigged in September. The two 150 W Dedolights still functioned on the very last day and we never had to change a bulb. Compliments!"



Tom Zannes †
(Cameraman)
(Descent Into the Black Hole,
Marathon of the Sands,
National Geographic)

"We found formations that were in distant hard to reach areas of the cave that we couldn't put light in with a normal unit. We had to shoot everything with batteries so we had to be very efficient. The Dedolight really increased our capabilities in the cave."

Mobile Crews

In many countries, the light weight Dedolight soft case kits have become the standard for mobile crews. Dedolight systems offer many choices, from basic interview to subtle artistic lighting even under extreme time constraints.



Jonathan Harrison
(Cameraman)

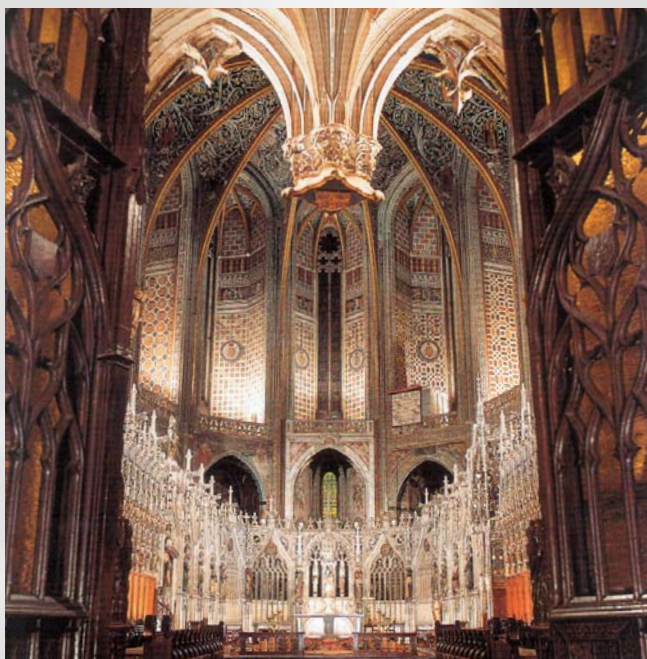
"The control, versatility, dependability and light output of the Dedolight are still unsurpassed. The only downside is that it's addictive."

Architectural Photography

Several photographers have used Dedolights to light large churches and cathedrals as Dedolights are easily hidden within the shot and allow differentiated lighting which creates a sense of depth, structure and mood beyond the pure portrayal. Michel Escourbiac's photographic works are published in books about cathedrals.

"For all of this work, I have used Dedolights. I need very focusable, pointed light sources. Fortunately, Dedolights are powerful over a long distance and I have used them at distances up to 70 m (200 ft.) to bring out the materials, the colors, the gold ..."

Michel Escourbiac



Product and Portrait Photography

Dedolights are often used in portrait photography to create a "Hollywood" style of portrait lighting. Direct, soft, gentle and moody styles may be achieved.

Dedolights are indispensable for product photography. The classic Dedolight as well as the Series 400, in conjunction with the imager (projection attachment) allow the creation of the finest, most precise, highly tuned accents, which cannot easily be recreated in Photoshop. On a high class product shot you may easily find twelve to fifteen Dedolights to highlight details, create subtle reflexes and convey the feeling of structures and plasticity. Some photographers go beyond the classic product approach and use the creative potential of the Dedolight to make lights a visible part of the image composition.



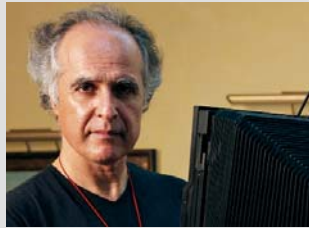
**Marek Czarnecki
(Photographer)**
(Awarded the British OSKAR statuette in the category of Advertising and Illustrative photography)

"The creative possibilities of the Dedolights have changed my approach to photography. I have discovered a new world of images and the creative tools that I now possess have become a challenge for my future work."



**Charles Masters
(Photographer)**

"The control of the light cannot be compared to other systems"



**Ahmet Ertug
(Photographer)**

"I used Dedolights to obtain a superb result in achieving a very controlled mood of mysticism."



Illuminating the delicate shapes of a sculpture or lighting an oil painting, one could easily choose the traditional approach of cross lighting with conventional sources thus losing the charm of the surfaces structure. Dedolight allows an unbalanced lighting approach, making the structures of a painting visible, whilst giving subtle modeling to the surface and totally evening out differences of exposure when used with the new Dedolight graduated grey filters.

THE MANY USES OF DEDOLIGHT

Product and Portrait Photography

Car photography is usually done with huge soft light sources. It's a remarkable exception when some of the most successful car photography is done with a multitude of Dedolights, painting details and reflexes one by one.



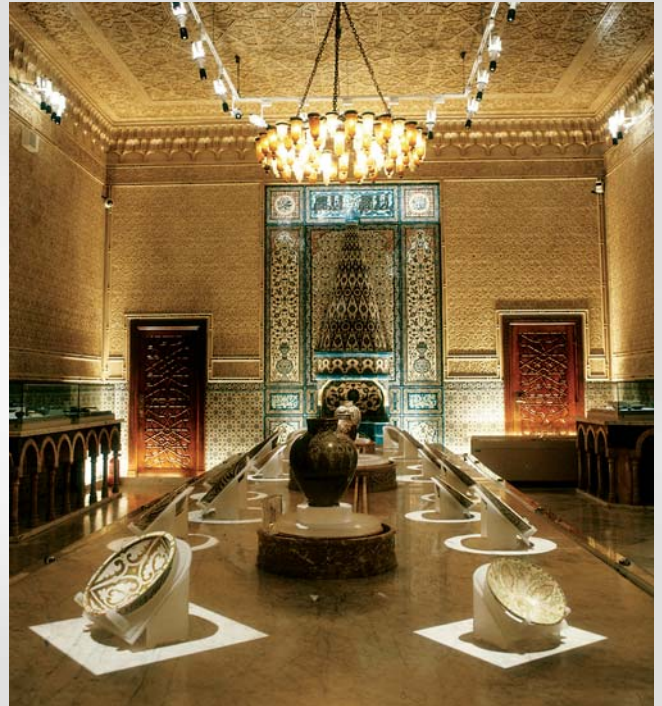
**Taly Noy
(Photographer)
(East Side Studios, England,
Car Photography)**

"This lighting system offers almost surgical precision to the professional photographer, eliminating time wasting trials and imbalance of light, whatever the subject."



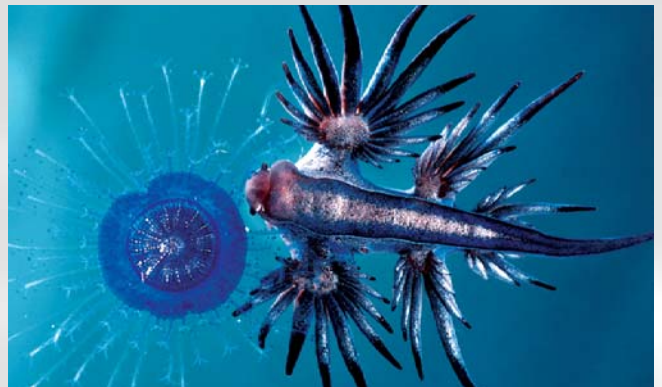
Museum Lighting

Dedolights illuminate paintings, sculptures and other art objects in many museums around the world. The unprecedented qualities of Dedolights provide precision lighting in many variations. Defined illumination guides the visitors' attention with a choice of levels from subtle enhancement of detail or noticeable and distinct accent to dramatic presentation. No other lighting instruments offer UV values as low as Dedolights (with UV filter option) which aids the conservators' task in preserving valuable and delicate objects. See architectural catalog.



Scientific and Industrial Lighting

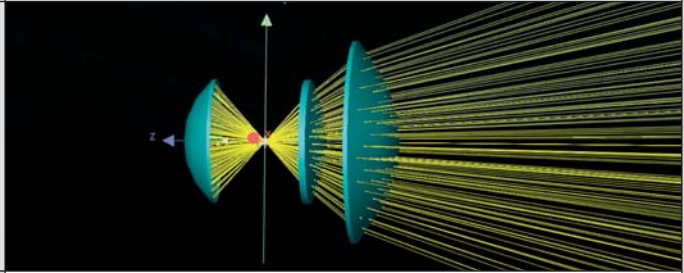
Dedocool lights provide extremely high light intensities for use with high speed film and video but without the soaring heat normally associated with high intensity lighting instruments. Also used for motion analysis, special effects in films and many other scientific fields.



The Optical System

The original Dedolight patent introduced a second lens which provides several advantages over traditional Fresnel systems:

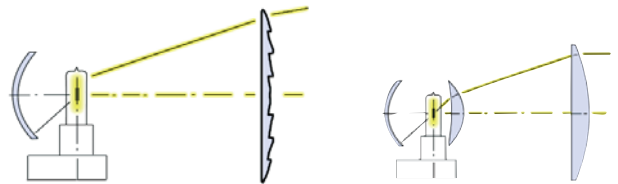
- Produces a unique character of light.
- Pre-collects the light from the lamp and reflector allowing the use of a smaller front lens and thus enabling the construction of a smaller light head.



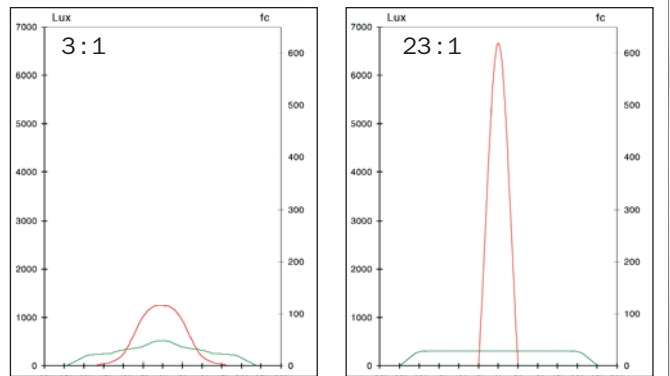
- Provides light output comparable to much larger light sources.



- Raised the light efficiency in spot position to 18 % versus only 6 % found in traditional Fresnel designs.



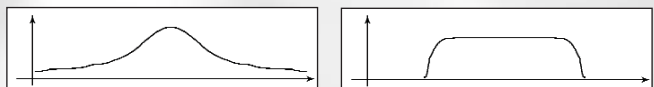
- Provides a focusing range (change in intensity from flood to spot) of 23 : 1 versus the 3 : 1 range of similar lights.



- Provides a clean beam without stray light as usually found in Fresnel lights.



- Offers very even light distribution within the beam versus hot spots produced by Fresnel studio lights.

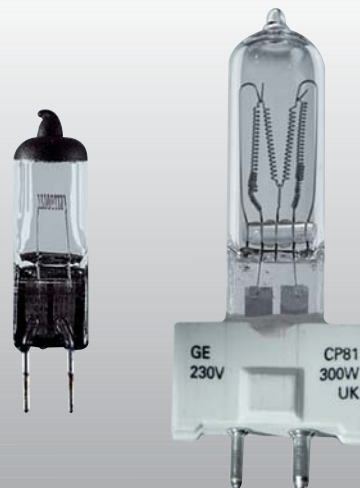


DEDOLIGHT TECHNOLOGY

Low Voltage Lamps

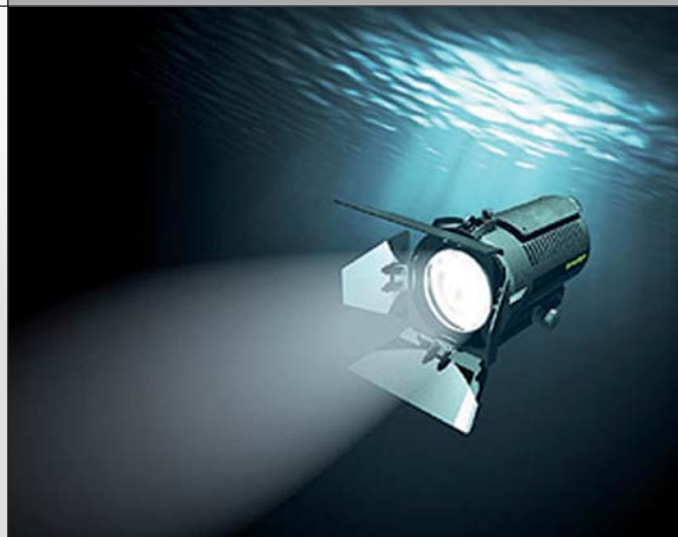
Using low voltage lamps offers several advantages compared to traditional light sources:

- They produce up to 40 lumens per watt (versus 20–25 lumens per watt of high voltage halogen lamps), further contributing to the enhanced light output.
- They provide tremendous savings in operating cost due to their very low price and long life.
- They are much less susceptible to premature lamp failure due to shock and vibration, allowing their use in rough applications where line voltage lamps may fail instantly.



Adding to the economic benefits:

- The Dedolight DLH4 light heads may be used in rain, snow and although not recommended, have been demonstrated while totally immersed in water.
- These lights may be used with our wide choice of AC power supplies and batteries.



The Lenses

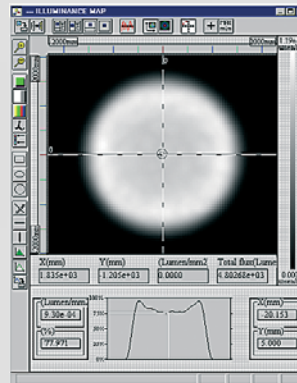
Four years of optical research and development led us to further improvements in professional lighting. The resulting patent introduces a relation computed double Aspherics² system. This development offers solutions to two problems.

aspherics²

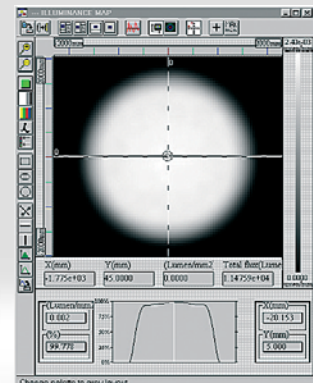
DOUBLE ASPHERIC TECHNOLOGY

Traditional studio lights show light distribution with hot spots or in some focusing positions "hot shoulders" (brighter rims with darker centers).

The Dedolight double Aspherics² system offers edge-to-edge, perfectly even and smooth light distribution in all focus positions that is even cleaner than the previous generations of Dedolight models.



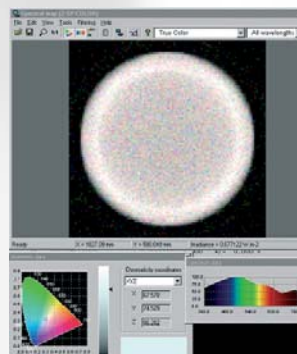
Light distribution of a traditional source



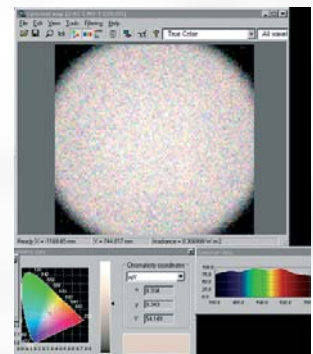
Light distribution of a double Aspherics² Dedolight

Discharge lamps do not have homogenous color properties, which often lead to bluish rims in some focus positions.

Our patented double Aspherics² system provides significant improvement in the color distribution across the entire lit field.



Color distribution of a traditional source



Color distribution of a double Aspherics² Dedolight

DEDOLIGHT TECHNOLOGY

The Mechanics

An additional patent introduced the added movement of the second lens in relation to the lamp and reflector all being controlled by one focusing knob. This technology was first used in the Dedolight Series 400 as a triple zoom focus.

- 20:1 variation of intensity from spot to flood – Series 400
- 23:1 variation of intensity from spot to flood – Aspherics²

Motion 1

From flood to super flood –
Lamp and mirror move closer to the second lens.

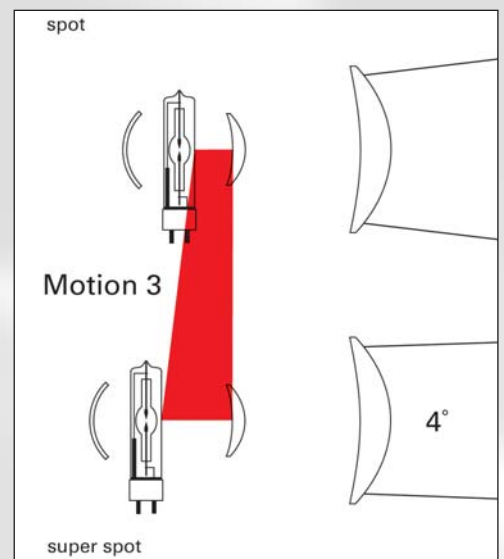
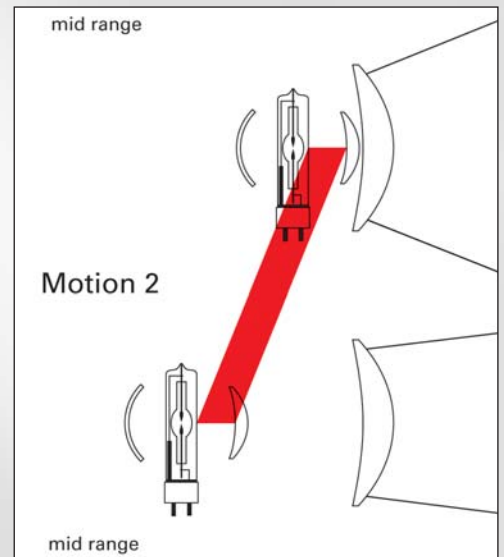
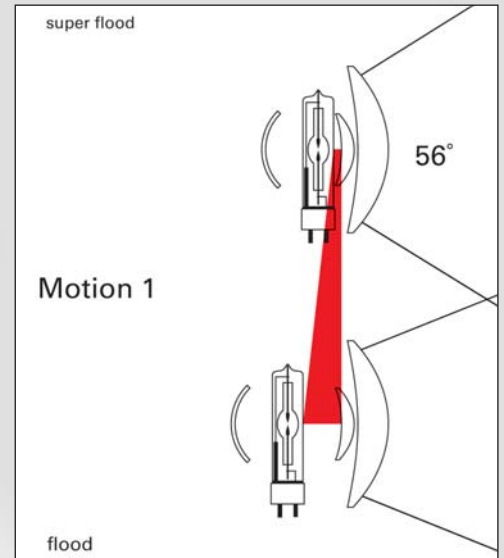
Motion 2

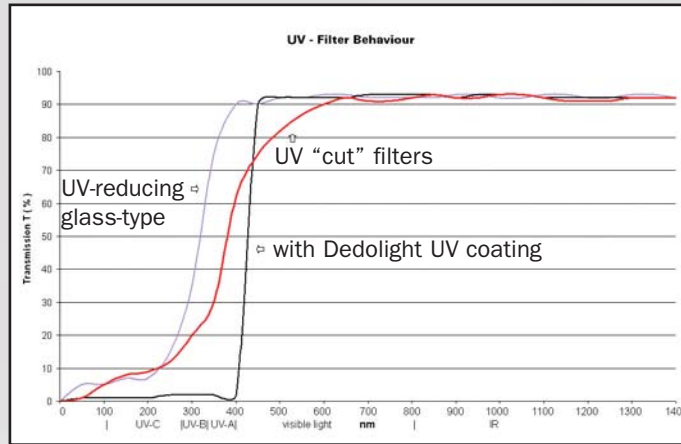
Mid range –
Lamp, mirror and second lens move in equidistant unison.

Motion 3

Spot to super spot –
Second lens stops while the lamp
and mirror continue their travel.

No traditional Fresnel even comes close.





UV Radiation

UV radiation is produced by many light sources. UV-C, the shortest wavelength, is the most hazardous type of radiation, and although natural sunlight contains a great deal of UV-C, this is fortunately filtered out by the ozone layer. Using artificial daylight sources like metal halogen, we're also subject to dangerous levels of this type of UV. No metal halogen light source should ever be used for direct lighting of people or sensitive objects without some form of protection.

A degree of protection may be provided by additives to the glass during manufacture or by utilizing special UV absorbing glass. This type of filtering may produce a color shift and loss of light, and still won't entirely cut out UV.

We have been successful in developing a filter coating which effectively cuts UV-A, UV-B and UV-C radiation below 405 nm. This coating is deposited on the inner side of the front lens and does not affect the visible light, color rendition or transmission. The UV emission of our daylight sources (DLH400D and DLH200D) is approximately 1/20 th (5 %) the UV emission of comparable light sources.

On our 400 / 575 W and 200 W daylight soft lights we utilize a doted quartz glass tube which effectively lowers UV values giving significant advantages over similar light sources. Our Series 200 lamps are manufactured with a UV stop envelope which does not lower UV values beyond our coating, but may be regarded as a backup safety.

The UV content from halogen light sources is regarded as less harmful to people lighting but will still affect sensitive objects such as textiles, paintings and photographs. We offer an optional UV protection which is commonly used in museum lighting. Our special dichroic filter technology offers the lowest UV values in the professional lighting world.



The Imager Projection Attachment

Building highly perfected optics for Dedolight light heads, allowed us to design imaging attachments with matching optics for unprecedented precision, quality of image and light/shadow shapes.

- High light efficiency due to matched optics
- Perfect contrast rendition
- Very low distortion
- No color fringing (as displayed by practically every traditional profiler/ellipsoidal)
- No halation which on other instruments often impairs the shadow edge rendition or affects overall contrast
- Interchangeable lenses from wide angle to telephoto and zoom
- For the Series 400 we've designed several unique projection lenses which provide extreme light transmission and remarkable qualities.
- Wide variety of accessories:
 - Framing shutters
 - Iris
 - Gobo holder (steel and glass)
 - Slide projection with heat reducing filter and forced air cooling
 - Optional image plane adjustment to correct focus shifts in off axis projections
 - Gobo rotator

Note: Dedolight heads and Imager projection attachments are designed with a matching optical system to optimize light output and distribution. Our Imagers are occasionally used on light heads of other manufacturers. Although possible, efficiency and image quality will be drastically reduced.



The Dedolight 400 Series

When the larger Series 400 lights were designed, we borrowed the dual lens concept from the small classic Dedolight. This alone did not prove good enough for the high standards set for this series. We wanted the focusing range that had set apart the classic Dedolight system from other lights. We also wanted a distinct clean beam with no stray light for lighting with utmost precision. Within the beam, we also wanted to eliminate hot spots that are typical of other lights. At the same time, it was important to eliminate the color distribution problems that usually plague daylight sources.

It took four years of intensive optical research to solve these problems. The seemingly endless series of computer simulations and prototypes resulted not only in several new patents protecting this new level of technology, but also provides the discerning professional with three outstanding precision tools.

The new triple zoom focus and relation computed double Aspherics² system is common to the:

- Dedolight DLH400D 575/400 W daylight version
- Dedolight DLH650 650 W halogen light
- Dedolight DLH436 400 W low voltage halogen light

In the professional community, these innovations found enthusiastic response and received both a Scientific and Engineering Award from the Oscar committee and the Emmy statuette from the Academy of Television Arts and Sciences.

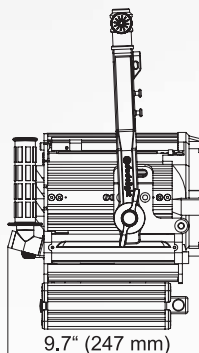
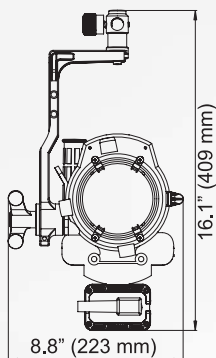


DLH400D Daylight Light Head

A fixture for single ended 400 W daylight metal halide lamps with unrivaled focusing range and unequalled light quality. Can be operated at 575 W with the same lamp when used in conjunction with the Dedolight DEB400D electronic ballast. Matches optical design of the DP400 projection attachment for flawless performance.

Technical Data: DLH400D

- Focus Angle: 50° – 4.5°
- Focus Intensity: 1 : 20
- Focus Scale: Indicates current angle of beam
- Weight: 4400 g (9.7 lb.)
- Lamp: DL400HR 400 W single ended, Hot Restrike
- Cable length: 7 m (23')
- Mounting: 16 mm (5/8") receptacle and 28 mm (1 1/8") stud
- Safety: Safety switch prevents operation when access door is open
- UV: Extremely low UV emission
- ON/OFF: On/Off push buttons located on both head and ballast for ease of operation



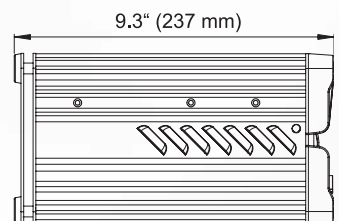
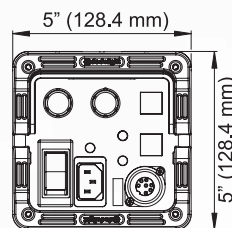
DEB400D Flicker Free Ballast

Utilizing the latest technology, the DEB400D electronic flicker free ballast was designed to power the Dedolight 400D, the DedoPAR and the Dedolight 400S. Light weight yet rugged, small yet powerful with every conceivable feature you would want.

- Dimmable (40 %)
- Boost position for added light output (575 W)
- Active power factor correction
- Auto start mode on request
- Over voltage, overload, overheat and short circuit protection
- Automatic input voltage adjustment from 90 – 260 V AC

Technical Data: DEB400D

- Weight: 3400 g (7.5 lb.)
- Wattage: 400 W / 575 W
- Input voltage: Automatic sensing 90 – 260 V AC
- Mounting: May be attached to light stand using DEB400H mounting bracket (not included)
- Safety: Over voltage, overload, overheat and short circuit protection
- Indicators: Three LED status indicators (ready, lamp, heat)
- Dimming range: 40 %



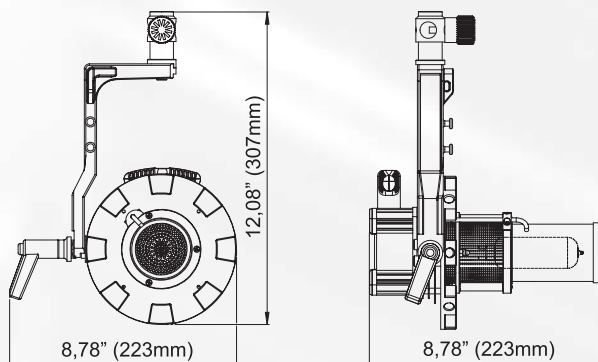


DLH400S Daylight Soft Light

A dedicated 400/575 W soft light. Works with an amazing variety of soft boxes: Dedoflex, Photoflex and Chimera. Two times the light output when compared to any soft box mounted to a Fresnel fixture. Perfectly even light distribution. Works with the proven Dedolight DEB400D ballast (same ballast as for DLH400D focusing daylight fixture). Integrated speed ring for Dedoflex medium and Octodome. For compatibility with soft boxes/domes of other manufacturers see page 88. For packing see page 37 "soft light packing".

Technical Data: DLH400S

- Weight: 1575 g (3.4 lb.)
- Lamp: DL400HR 400 W single ended, Hot Restrike
- Cable Length: 7 m (23')
- Mounting: 16 mm (5/8") receptacle and 28 mm (1 1/8") stud
- Safety: Auto cut-off when protective tube missing or damaged
- UV: Protective quartz glass tube with UV-cut function



Dedoflex Octodomes

Both Dedoflex Octodomes feature huge diffuser areas producing a beautiful, wrap around, soft light.

These Octodomes are extremely flat, making them ideal for work in confined spaces. The light output has to be seen to be believed and the light quality is absolutely stunning!

Several kits are available which utilize the Dedoflex Octodomes. (See page 65 for detail.)

	DSBOCT	DSBOCTS
Assembled	150 x 150 x 40,5 cm (5' x 5' x 1.3')	88 x 88 x 34,5 cm (2.9' x 2.9' x 1.1')
Packed	85 x 20 x 10 cm (2.7' x 2.8" x 3.9")	57 x 20 x 9 cm (1.9' x 7.9" x 3.5")
Diffuser	150 x 150 cm (5' x 5')	83 x 83 cm (2.7' x 2.7')
Depth	40.5 cm (1.3')	34,5 cm (1.1')
Weight	1500 g (3.3 lb.)	757 g (1.67 lb.)
Works with lighthead	DLH400S DLH1000SPLUS	DLH200S
Grid 40°	DLGRIDOCT	DLGRIDOCTS





DLH1000S Tungsten Soft Light

A dedicated single function halogen soft light, exclusively for use with many styles and sizes of soft boxes.

The lamp, which is placed in the focal center of the soft box produces a perfectly lit surface. In comparison to a soft box attachment mounted to a Fresnel fixture, it provides double the light efficiency with no hot spots. Readily available halogen lamps from 500–1000 W may be used in this light fixture. The DLH1000S can be a stand alone light or a companion to the classic tungsten Dedolight and Series 400 focusing halogen heads.

A protective glass tube is easily removable for quick lamp change. Many styles and sizes of soft boxes may be used with the integrated speed ring.

Adapts in seconds and without tools to an amazing variety of soft boxes by the function of the innovative variable size speed ring. The diameter is changed by extending the rod receptacles for the soft box in four steps:

130 mm (5.118"), 150 mm (5.9"),
170 mm (6.69") or 190 mm (7.48").

For packing see page 37 ("soft light packing")



DLH1000SPPLUS Tungsten Soft Light

The DLH1000SPPLUS is a 1000 W halogen soft light similar to the DLH1000S but fitted with a larger mounting yoke which allows the use of larger soft boxes. Features eight receptacles to accept the Dedoflex octodome.

This light is ideal for drama productions or large sets requiring a broad soft source.

The DLH1000SPPLUS can be used as the tungsten companion to the DLH400S daylight version.

When a smaller size or packaging is required, please see DLH1000S.

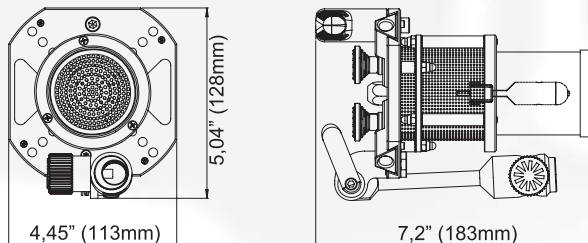
Features the same adjustable speed ring as DLH1000S. Diameter changeable in four steps:
150 mm (5.9"), 170 mm (6.69"),
190 mm (7.48") or 210 mm (8.26").

For packing see page 37 ("soft light packing")



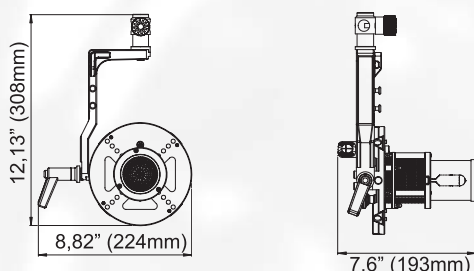
Technical Data: DLH1000S

Weight: 800 g (1.8 lb.)
 Lamp: See lamp table below
 Cable length: 3 m (9.8')
 Mounting: 16 mm (5/8") two axis receptacle
 Safety: Protective glass tube
 ON/OFF: In-line switch
 Socket: G9.5



Technical Data: DLH1000SPPLUS

Weight: 1200 g (2.6 lb.)
 Lamp: See lamp table below
 Cable length: 3 m (9.8')
 Mounting: 16 mm (5/8") two axis receptacle and 28 mm (1 1/8") stud
 Safety: Protective glass tube
 ON/OFF: In-line switch
 Socket: G9.5



Lamp Choices for Dedolight DLH1000S and DLH1000S+ Tungsten Soft Light

Max. lamp wattage with small soft box – 750 W
 Max. lamp wattage with larger size soft boxes – 1000 W

ANSI	V	W	K	Average Lifetime(h)	lumen
FEL	120	1000	3200	300	27500
EHG	120	750	3000	2000	15000
EHF	120	750	3200	300	20000
EHD	120	500	2900	2000	10000
EHC	120	500	3150	500	12700
FEP	240	1000	3200	300	25000
FEP	230	1000	3200	300	25000
GKV	230	600	3200	250	14000
GKV	240	600	3200	250	14000

Dedoflex Soft Boxes and Grids

All Dedolight soft lights are dedicated, single purpose lights (with the exception of the DedoPAR system). Our soft lights place the actual light source in the focal center of the soft box, optimizing output and providing even light distribution on the diffuser with no hot spots.

- DSBSXS** Dedoflex Mini soft box silver, 30 x 30 cm (12 x 12"), depth 23 cm (9")
- DSBSS** Dedoflex Silver Dome, small 41 x 56 cm (16 x 22"), depth 33 cm (13")
- DSBWS** Dedoflex White Dome, small 41 x 56 cm (16 x 22"), depth 33 cm (13")
- DSBSM** Dedoflex Silver Dome, medium 61 x 81 cm (24 x 32"), depth 43 cm (17")
- DSBWM** Dedoflex White Dome, medium 61 x 81 cm (24 x 32"), depth 43 cm (17")
- DSBOCT** Octodome 150 cm (5') diameter, only 40. cm (16") deep. Weight: 1500 g (3.3 lb.)
- DSBOCTS** Small Octodome 83 cm (2.7') diameter, only 34.5 cm (13.6") deep. Weight: 757 g (1.67 lb.)
- DLGRIDXS** Mini grid, fits Mini soft box, limits angle to 40°
- DLGRIDS** Grid small, fits small silver dome, limits angle to 40°
- DLGRIDM** Grid medium, fits medium silver dome, limits angle to 40°
- DLGRIDOCT** Octodome Grid, fits Octodome, limits angle to 40°
- DLGRIDOCTS** Small Octodome Grid, fits small Octodome, limits angle to 40°
- DLSR70** Mini speed ring for Mini soft box, fits DLH4, DLHM4-300 and DLH200D



DLH1X150S	DLH1X300S	DLH4X150S	DLH1000S	DLH1000S+	DLH200S	DLH400S	DPAR-S	DLH200D	DLH4	DLHM4-300
-----------	-----------	-----------	----------	-----------	---------	---------	--------	---------	------	-----------

Halogen	•	•	•	•	•	•		•	•	•
Daylight						•	•	•		

Mini	•	•							•	•	•
Small silver	•	•	•	•	•	•					
Small white		•		•	•	•					
Medium Silver	•	•	•	•	•	•	•				
Medium white		•		•	•	•	•				
Octodome			•		•		•	•			
Small Octodome					•						

All above combinations are direct attachment with no speed ring required. Mini soft box also fits DLH4, DLHM4-300 and DLH200D light heads with mini speed ring DLSR70.

I. PAR light



DedoPAR Daylight

The DedoPAR is a 575/400 W PAR light head which operates with the same Dedolight DEB400D electronic ballast as used with the DLH400D daylight focusing light head and DLH400S daylight soft light.

The light head is fitted with push buttons so that it can be started from the light head as well as from the ballast (similar to the operation of the Dedolight DLH400D light head). The DedoPAR can be used in two different configurations.

I. As a PAR light

The PAR light version shows high light efficiency due to good reflector design and a focusing control. The light head without a diffusion lens will give you high light output, but you will experience fairly useable light distribution only in one focusing position for any given distance. As with other PAR lights, the beam can be modified with the use of three interchangeable lenses.

II. As a Soft Light (Direct/Soft)

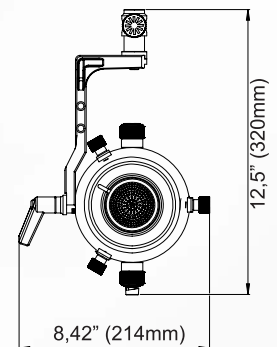
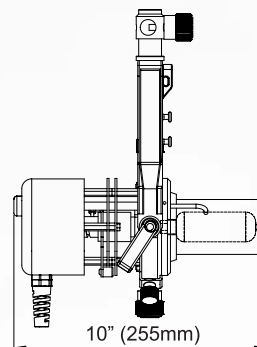
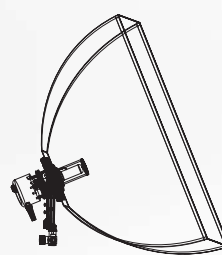
The front part (reflector) of the DedoPAR can be replaced with the direct/soft attachment. The removable and rotatable speed ring accepts Dedoflex small and medium silver and white domes as well as Dedoflex Octodome and many Chimera and Photoflex soft boxes. This attachment is fitted with a quartz glass tube which serves as a very efficient UV-cut filter. A safety switch is included, which will shut down the light if the protective glass filter tube is missing or damaged.

II. Soft Light (Direct/Soft)



Technical Data: Direct/Soft

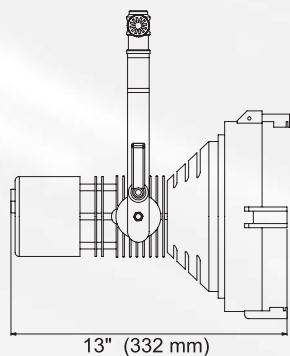
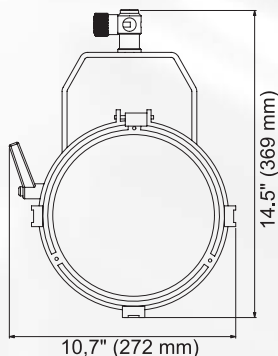
Weight:	DPAR-S – 900 g (2 lb.) DPAR-O – 1000 g (2.2 lb.)
Lamp:	DL400HR 400 W single ended, Hot Restrike
Cable length:	7 m (23')
Mounting:	16 mm (5/8") receptacle and 28 mm (1 1/8") stud
Safety:	Auto cut-off when protective tube is missing or damaged
UV:	Protective quartz glass tube with UV Cut function
ON/OFF:	On/Off push buttons located on both head and ballast for ease of operation





Technical Data: DedoPAR

Weight:	DPAR-O – 1000 g (2.2 lb.) DPAR-R – 1900 g (4.2 lb.) DPAR-S – 900 g (2 lb.)
Lamp:	DL400HR 400 W single ended, Hot Restrike
Cable length:	7 m (23')
Mounting:	16 mm (5/8") receptacle and 28 mm (1 – 1/8") stud
Safety:	Auto cut-off when protective glass is missing or damaged
UV:	Protective quartz glass with UV Cut function
ON/OFF:	On/Off push buttons located on both head and ballast for ease of operation



Components

- 1 DPAR-O** DedoPAR base unit light head to be combined with DPAR-S or DPAR-R.
- 2 DPAR-R** DedoPAR reflector with yoke.
- 3 DLSR2** Dedolight speed ring (Ø 160 mm) for soft boxes of other brands. (see page 89 for details).
- 4 DPARD1** Spread lens (Flood).
- 5 DPARD2** Spread lens (Medium).
- 6 DPARD3** Spread lens (Spot).
- 7 DPARBD** Barn door.
- 8 DPAR-S** Direct/soft attachment with yoke (speed rings from Dedoflex, Chimera and Photoflex are attachable, see page 88, 89).
- 9 DLSR1** Dedolight speed ring (Ø 119 mm) for Dedoflex silver and white domes medium (see page 88).
- 10 DLSR8** Dedolight speed ring (Ø 119 mm) with 8 rod receptors for Octodome.
- 11 DSBSM** Dedoflex silver dome medium. Can be replaced by Dedoflex white dome medium (see page 88 for details).
- 12 DPOW400D** Light head to ballast power cable (7m).
- 13 DEB400D** Electronic ballast with mains cable (same as for Dedolight DLH400D).
- 14 DL400HR** 400 W/575 W daylight lamp (clear)
- 15 DCPAR** Transport case for DedoPAR, direct/soft attachment, lens set, barn door and ballast.

See DedoPAR kits on page 67.



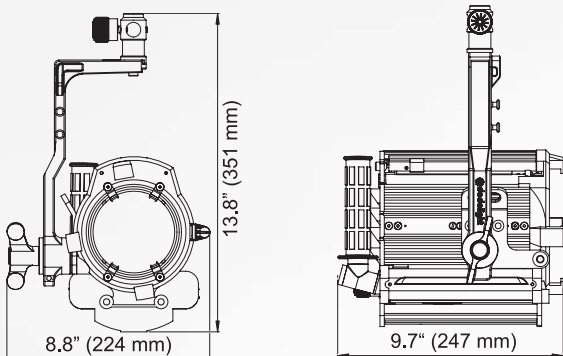


DLH650 Tungsten Light Head

A mains operated light with unrivaled focusing range and superior light quality. Can be used with a choice of 650 W, 500 W or 300 W halogen lamps in versions from 100 – 240 V.

Technical Data: DLH650

- Focus Angle: 56° – 8°
- Focus Intensity: 1 : 13
- Focus Scale: Indicates current angle of beam
- Weight: 3400 g (7.5 lb.)
- Wattage: 300 W, 500 W, 650 W
- Voltage: 100 V, 120 V, 230 V, 240 V
- Cable length: 5 m, (16.4')
- Mounting: 16 mm (5/8") receptacle and 28 mm (1 1/8") stud
- Tilt control: Tilt pivot at center-of-gravity provides excellent balance. Permanent friction and positive locking



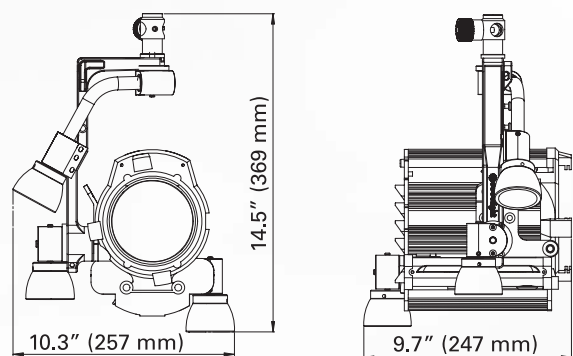
DLH650PO Pole Operated Tungsten Light Head

For hanging application in studios. Pan, tilt and focus are operated by pole.

All other features are identical with DLH650.

Technical Data: DLH650PO

- Focus Angle: 56° – 8°
- Focus Intensity: 1 : 13
- Focus Scale: Indicates current angle of beam.
- Weight: 4700 g (10.4 lb.)
- Wattage: 300 W, 500 W, 650 W
- Voltage: 100 V, 120 V, 230 V, 240 V
- Cable length: 5 m, (16.4')
- Mounting: 16 mm (5/8") receptacle and 28 mm (1 1/8") stud
- Tilt control: Tilt pivot at center-of-gravity provides excellent balance



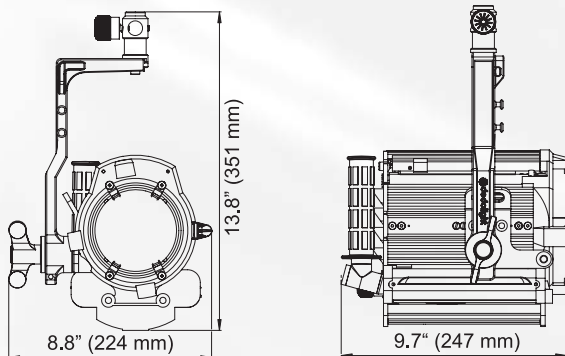


DLH436 Tungsten Light Head

A low voltage fixture for 400 W/36 V halogen lamps. Unique light character favored by many DoPs such as Nigel Stone (Harry Potter, V for Vendetta). Total light output exceeds anything remotely close to the 436 in fixture size and operating characteristics. Requires DT36-1 power supply/control unit.

Technical Data: DLH436

- Focus Angle: 56° – 5.5°
- Focus Intensity: 1 : 16
- Focus Scale: Indicates current angle of beam
- Weight: 3400 g (7.5 lb.)
- Wattage: 400 W
- Voltage: 36 V
- Cable length: 8 m (26.2')
- Mounting: 16 mm (5/8") receptacle and 28 mm (1 1/8") stud
- Tilt control: Tilt pivot at center-of-gravity provides excellent balance. Permanent friction and positive locking

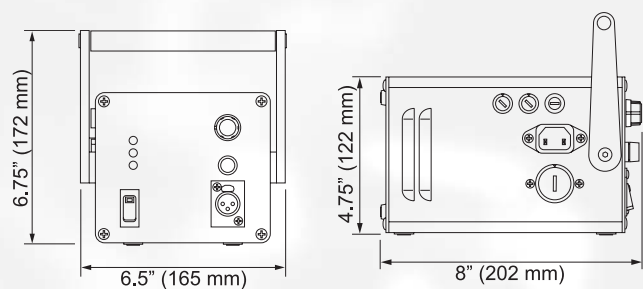


DT36-1 Power Supply/Control Unit

The DT36-1 Power Supply/Control Unit powers one Dedolight DLH436 light head. With the aid of the built in voltage indicator, the input voltage may be set from 100 – 255 V AC (in 5 V steps) to precisely match the local prevailing AC power. Three calibrated color temperatures may also be selected.

Technical Data: DT36-1

- Weight: 6200 g (13.7 lb.)
- Input voltage: 100 – 255 V AC
- Output voltage: 1 x 36 V AC
- Controls: Input voltage control indicator
Switchable output for color temperature/intensity
Fused input and output



SERIES 400 ACCESSORIES



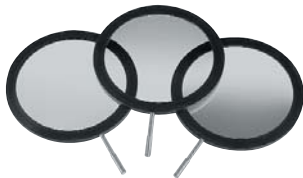
DBD400

DBD400 – Barn door.
Each large leaf has two clips to hold gel filters.
Weight: 150 g (5.3 oz)



DFH400

DFH400 – Gel filter holder.
Constructed out of two metal frames which slide inside each other. Accepts any type of heat resistant gel filter.
Size: 12.8 x 12.8 cm (5 x 5")
Weight: 22 g (0.7 oz)



DGRADF400

DGRADF400 – Graduated neutral gray glass filter with dichroic coating. Soft edge transition from clear glass to neutral gray, available in three densities. NDO3 (one stop), NDO6 (two stops), NDO9 (three stops). Great help in smoothing light distribution when lighting from an angle.
Weight: 96 g (3.4 oz.)



DPLS400

DPLS400 – Light shield ring. Prevents stray light from exiting light head when no filter accessory is used.
Weight: 43 g (1.5 oz.)



DTCF400

DTCF400 – Tungsten Conversion Filter.
Weight: 86 g (3 oz.)

DDCF400 – Daylight Conversion Filter.
Weight: 99 g (3.5 oz.)



DLSWI1000

DLSWI1000 – Inverter. Allows powering the DEB 400D electronic ballast from a car battery or other 12 V DC source
Weight: 6.5 kg (14.3 lb.)
Size: 35 x 20.5 x 11 cm (13.8 x 8.1 x 4.3")

Scrim

DSCFS400 – Full scrim, single. Light reduction of 25 % (1/2 stop)

DSCFD400 – Full scrim, double. Light reduction 50 % (1 stop)

DSCS1/2-400 – Half scrim, single. Covers only 1/2 of light exit. Reduces light for half angle of beam. 360° rotatable.

DSCD1/2-400 – Half scrim, double.

DSCG400 – Graduated scrim.

DSCK400 – Scrim kit.

Includes DSCFS400, DSCFD400, DSCS1/2-400, DSCD1/2-400, DSCG400

Pouches

DPACP400 – Imager accessory pouch. Four compartments for gobos, scrims, filters, framing shutters, etc.

DSCP400 – Scrim pouch. Pouch for scrims and filter holders.

DSCGP400 – Scrim pouch. Pouch for scrims, filter holders and precut gel filters.

Mounting

DEB400H – Mounting bracket with super clamp. For mounting DEB400D electronic ballast to lighting stand.
Weight: 138 g (4.9 oz.)

DST400 – Dedolight stackable stand. Height: collapsed 110 cm (3.6'), max. 385 cm (12.6')
Weight: 2.3 kg (5 lb.)

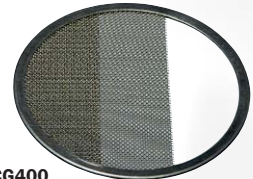
DST400S – Dedolight stackable stand. Small version fits Octodome soft case. Height: collapsed 87 cm (2.9'), max 250 cm (8.2')
Weight: 1.3 kg (2.9 lb.)



DSCFS400



DSCFD400



DSCG400



DPACP400



DSCP400

DSCGP400



DEB400H



DST400





The Dedolight Series 400 Imager

A modular optical system of unprecedented quality and versatility.

The Series 400 Imager has become a successful tool for demanding precision lighting. Not only ideal for special effects from large, high precision projections, but also perfect all the way down to tiny accents.

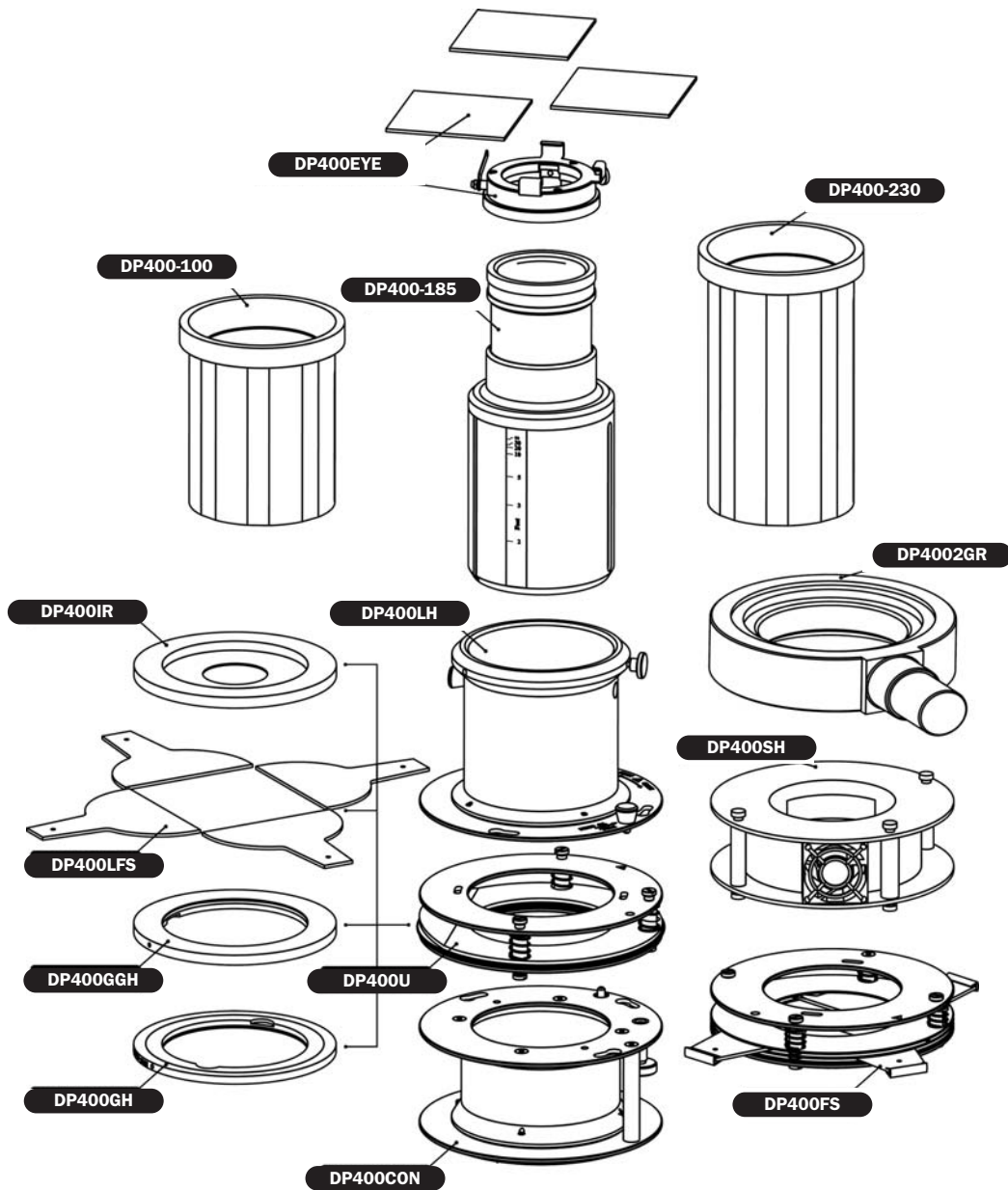
Whenever light and shadow patterns, or gobo projections with razor sharp edges are needed, the Series 400 Imager allows for perfect contrast, high resolution and high light efficiency. A unique image plane adjustment provides edge-to-edge sharp images even for off axis use.

Whatever your creativity calls for, the Imager does it all without color fringing, distortion, or fuzzy resolution, all of which often plague other systems.

- High precision image projection
- Precise light and shadow shapes
- Extremely sharp – high resolution
- No color fringing, no halation
- Perfect contrast rendition



SERIES 400 IMAGER



The Imager 400

The DP400 projection attachment is a modular system enabling quick change and versatility. Two basic configurations are available, and due to the sophisticated modular system, additional components may be easily added according to the users application.

DP400KU – Imager set with universal receptacle.

Set consisting of:
 DP400CON
 DP400LH
 DP400-185
 DP400U

DP400KFS – Imager set with framing shutter assembly.

As described above, but with DP400FS, framing shutter module with four non removable, built in framing shutter leaves in place of the DP400U, universal receptacle.

Set Components

DP400CON – Condenser.

The standard back part of the projection attachment includes a two lens condenser system, one of which is an aspherical lens. An image plane adjustment control is provided so that projections from an off angle position may be focus corrected. A safety cable attachment point is also provided.

Weight: 704 g (1.5 lb.)

DP400U – Universal receptacle.

Weight: 350 g (12.4 oz.)
 Accepts the following optional accessories:

- **DP400GGH** – Glass gobo holder
- **DP400GH** – Steel gobo holder
- **DP400LFS** – Loose shutter leaves (set of four)
- **DP400IR** – Iris (18 leaves)



DP400LFS – Framing shutter, loose leaf set.

Consisting of four framing shutter leaves, which can be used on their own or together with a gobo holder to cut the projected image to a desired size.

Weight: 60 g (2.1 oz.)

PLEASE NOTE:

If you want to use the framing shutter leaves only, we recommend the use of the DP400FS accessory with non-removable, built in shutter leaves. Easier to use as leaves move on two layers without touching each other.

DP400FS

Framing shutter assembly. The four non-removable, built in shutter leaves move in two planes allowing movement of one shutter leaf without moving other shutter leaves.

Weight: 155 g (5.4 oz.)

DP400FSF

Framing shutter assembly. Similar to DP400FS but with extra slot for gel filters (gel filter holder included).

Weight: 410 g (14.5 oz.)

DP400FH

Extra filter holder for DP400FSF.

Weight: 22 g (0.7 oz.)

DP400IR – Iris.

With 18 leaves

Weight: 200 g (7 oz.)

DP400GH – Gobo holder.

Holds a single steel gobo, Size A, Ø 100 mm, image max. Ø 75 mm

Weight: 85 g (3 oz.)

DP400GGH

Glass gobo holder.

Holds a single glass gobo, Size A, Ø 100 mm, image max. Ø 75 mm

Weight: 100 g (3.5 oz.)

DPEYESET

Eye filter attachment.

Fits DP400-185 projection lens only. Complete with three polycarbonate filters and filter holder.

Eye filters soften shadow edge – not a diffusion filter.

Weight: 96 g (3.4 oz.)

DP400LH – Projection lens holder, Weight: 378 g (13.3 oz.)

DP400-70

70 mm, f 1.5, high transmission, six element, projection lens. High resolution with low distortion.

Weight: 1130 g (2.5 lb.)

DP400-100

100 mm, f 1.6, high transmission, six element, projection lens. High resolution with low distortion

Weight: 1130 g (2.5 lb.)

DP400-150

150 mm, f 2.2, high transmission, six element, projection lens. High resolution with low distortion.

Weight: 1130 g (2.5 lb.)

DP400-185

185 mm, f 3.5, projection lens with focus scales on both sides of the barrel (marked in meters and feet).

Weight: 784 g (1.7 lb.)

DP400-230

230 mm, f 2.0, high transmission projection lens.

Weight: 2450 g (5.4 lb.)

DP400SH

Slide holder attachment. For slides 6 x 6 cm (2 1/4" x 2 1/4"). Attachment includes a high quality heat-reflecting filter, fan and power supply. Lifetime of slide depends on type of Dedolight and lamp used.

When used with light source at maximum intensity, dis-

coloration of slide may become noticeable after approx. 50 hrs.

Weight: 634 g (1.4 lb.)

DP400SHA – Slide holder attachment.

Similar to DP400SH but with image plane adjustment (any direction) to maintain sharp focus for off axis projections up to approx. 45° (depends on focal length of lens).

Weight: 580 g (1.3 lb.)

DP4002GR – Gobo rotator.

Gobo rotator for two steel gobos, rotation, concentric working in opposite directions. Including multispeed power supply 3 – 12 V.

Weight: 740 g (1.6 lb.)

DP4002GR+ – Gobo rotator.

Similar to DP4002GR but with built in fan and heat reflecting filter for use with two gel-printed effect gobos. With second power supply for fan (24 V).

Weight: 780 g (1.7 lb.)

DP400G – Standard steel gobo.

More than 300 different shadow patterns available. Size A, Ø 100 mm, image max. Ø 75 mm.

DP400GC – Custom-made steel gobo from customers artwork.

Size, same as above.

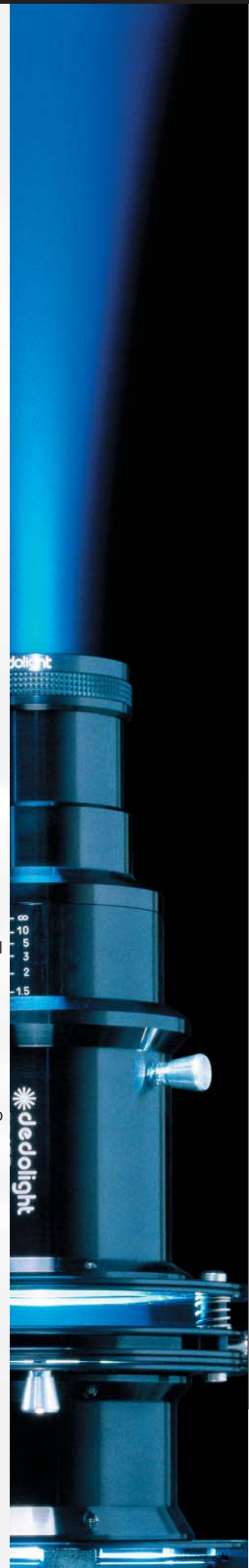
DP400GG – Glass gobo.

Available in multicolor or single color, black and white. Custom-made glass gobos also available.

DPACP400 – Accessory pouch.

With four compartments for gobos, iris, framing shutter blades.

For more information on gobos see page 50.



SERIES 200



Four light sources in a family of two

- Precision focusing
- Smooth soft light
- Daylight
- Tungsten ceramic

Many lighting situations demand both focusing and soft light sources at the same time. At Dedolight, we feel strongly about designing and recommending totally dedicated light sources.

The focusing Dedolight 200D with patented double Aspherics² technology and zoom focus movement provides outstanding capabilities. The Dedolight 200S is a dedicated soft light and offers unique qualities for this type of light source.

Our light sources are capable of both daylight and tungsten operation. The 200D offers two methods of converting from daylight to tungsten:

- Drop in a dichroic tungsten conversion filter ... quick, but loss in intensity.
- Install a tungsten balanced ceramic lamp and easily convert from daylight to tungsten with no loss in light output.

The special tungsten ceramic lamp developed for the Dedolight system is driven by the same ballast as the daylight lamp. They provide four times the light output of a regular tungsten lamp of the same wattage, have a high color rendition index, and use the same working voltage and flicker free frequency as our daylight lamps.

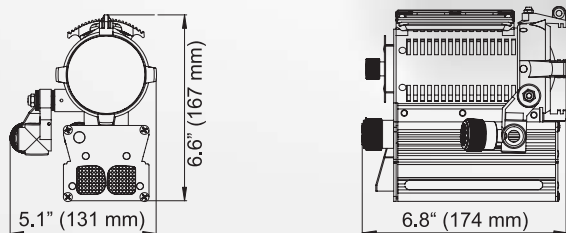


DLH200D Daylight/Tungsten Light Head

The 200D employs our patented double Aspherics² optical system in combination with a zoom focus system. Clearly defined "clean beam", no stray light. It can be converted to tungsten by change of lamp. The tungsten ceramic lamp has four times the light output of traditional tungsten lamps. Versatility: All projection attachments and accessories in the Dedolight 100/150 classic series are compatible with the DLH200D.

Technical Data: DLH200D

Focus Angle:	48° – 4.5°
Focus Intensity:	1 : 14
Weight:	1.300 g (2.8 lb)
Lamp:	DL200DHR daylight, DL200THR tungsten ceramic
Dimming:	200 W – 100 W (daylight) 200 W – 125 W (tungsten ceramic) (no noticeable change in color)
Safety:	IP23 – rainproof
UV:	Double UV Protection, LOWEST UV CONTENT OF ANY COMPARABLE LIGHT SOURCE.
Cable:	7 m (23')
Mounting:	16 mm (5/8") receptacle



DLH200S Daylight/Tungsten Soft Light

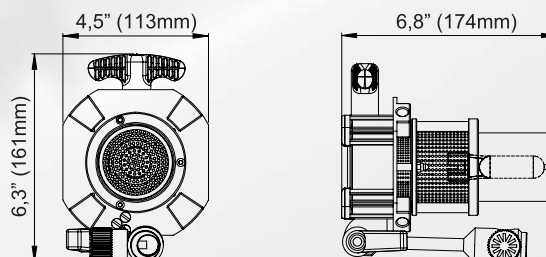
Single function light head exclusively for use with four different types of soft boxes. Since the actual light source is placed in the focal center of the soft box, the light output is approximately two times the light output in comparison to a soft box mounted on the front of a Fresnel light. A hot spot is normally encountered when using a soft box on a Fresnel light. The light distribution of the DLH200S with all the mentioned soft boxes is perfectly even and homogenous.

For packing see page 37 ("soft light packing")

For compatibility with soft boxes/domes from Dedoflex and other manufacturers see page 88

Technical Data: DLH200S

Weight:	1.500 g (3.3 lb)
Lamp:	DL200DHR daylight, DL200THR tungsten ceramic
Dimming:	200 W – 100 W (daylight) 200 W – 125 W (tungsten ceramic) (no noticeable change in color)
UV:	Double UV protection
Cable:	7 m (23')
Mounting:	16 mm (5/8") receptacle





DEB200D Flicker Free Ballast

Utilizing the latest technology, the DEB200D electronic flicker free ballasts are designed to power the Dedolight DLH200D and DLH200S daylight/tungsten light heads. Light weight yet rugged, small yet powerful with every conceivable feature you would want. Four different versions allow powering the light from mains or from battery.

- Dimmable from 200 W to 100 W
- Over-voltage, overload, overheat and short circuit protection. Rainproof according to IP 23 when in horizontal position.

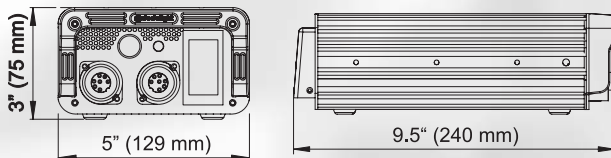
DEB200D

Powered from mains.

Dimension: 23.8 x 12.8 x 7.2 cm (9.4 x 5 x 2.8")

Weight: 1.900 g (4.2 lb)

Input Voltage: Automatic sensing 90 – 260 V AC



DEB200H

Mounting bracket for mounting DEB200D electronic ballast to lighting stand. Works with CLAMP C (included).

Weight: 205 g (7.2 oz.)



DEB200BAT

Battery operated electronic ballast for use with external batteries (BIGPACK1 and BIGPACK2).

Input: 19 – 36 V DC

Dimension: same as DEB200D

Weight: 2.000 g (4.4 lb)



DEB200BATAB

Same as above. Fitted with two gold mount plates to simultaneously accept two Anton/Bauer batteries.

Dimension:

23.8 x 12.8 x 9.2 cm (9.4 x 5 x 3.6")

Weight: 2.200 g (4.8 lb)



DEB200BATPAG

(not shown) Same as DEB200BATAB but fitted with two mounting plates for PAG batteries.

BIGPACK1

NiMH Battery Pack (see page 42 for details)

Two separate outputs: 14.4 V (26 Ah) & 28.8 V (13 Ah)

Internal overnight charger: Input 84 – 240 V/50 – 60 Hz
13 – 14 hrs.

Dimension: 13.5 cm x 27.5 cm x 18 cm (5.3" x 10.8" x 7.1")

Weight: 8 kg (17.6 lb.)

BIGPACK2

NiCd Battery Pack (see page 42 for details)

Two separate outputs: 14.4 V (16 Ah) & 28.8 V (8 Ah)

Internal overnight charger: Input 84 – 240 V/50 – 60 Hz
8 – 9 hrs.

Dimension: 13.5 cm x 27.5 cm x 18 cm (5.3" x 10.8" x 7.1")

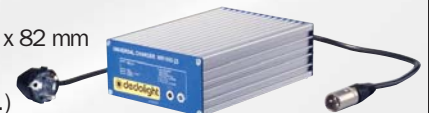
Weight: 8 kg (17.6 lb.)

DEXTCHG

Optional external four hour charger.

Dimension: 189 x 132 x 82 mm (7.4 x 5.2 x 3.2")

Weight: 650 g (1.4 lb.)



DLWSI300

Inverter to power a DEB200D from a car battery or other 12 V DC source.

Dimension: 20.5 x 12.5 x 10 cm (8.1 x 4.9 x 3.9")

Weight: 3.6 kg (7.9 lb.)





The Classic Series, A New Generation

Don't let looks deceive you!

While maintaining the integrity of the Classic Series, we've simply made the best even better by adding our patented Double Aspherics² technology. Originally developed for the award winning Dedolight Series 400, this breakthrough optical technology with two-relation computed aspherical lenses and a zoom focus mechanism allows for smooth and even light distribution in all focus positions, increased focusing range and still uses 12 V and 24 V low voltage lamps.

The result of this new technology is to take the unique quality of the Dedolight one step further. Compared to its predecessor (when used with the new 150 W dimming power supply) the output in flood is doubled, and in spot, three times brighter.

Following our new philosophy of "the two faces of light," you will also find in this range, new dedicated soft lights. Designed for one purpose only, these soft lights provide optimum and compromise free performance.

Technical Advantages

- Higher light output
- Smoother field of light
- Cleaner spot
- Improved full flood
- Better barn door control
- Improved character of light
- Incredibly small

Technical Specifications

- Two relation computed aspheric lenses
- Larger reflector
- Added relative motion of second lens (zoom focus)
- Shield/baffle integrated in new movement to provide cleaner beam



DLHM4-300 Tungsten Light Head

The self contained Dedolight DLHM4-300 works with an integrated electronic power supply combining:

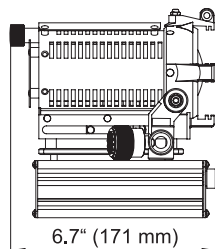
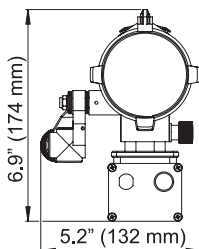
- New Dedolight Aspherics² optics
- Drastically improved light output
- 24 V/150 W integrated electronic power supply
- Dimmable

For external dimming of 230/240 V units, order option SE. For DMX control, order option DMX.

Available in four different input voltages (four versions): 240 V (DLHM4-300 E +), 230 V (DLHM 4-300 E), 120 V (DLHM4-300U), 100 V (DLHM4-300J)

Technical Data: DLHM4-300

Focus angle:	48° – 4.5°
Focus intensity:	1 : 20
Weight:	1020 g (2.2 lb.)
Max wattage:	150 W
Cable length:	5 m (16.4')
ON/OFF:	In-line switch
Mounting:	To any 16 mm (5/8") stud
Operating position:	Any, except upside down



DLH4 Tungsten Light Head

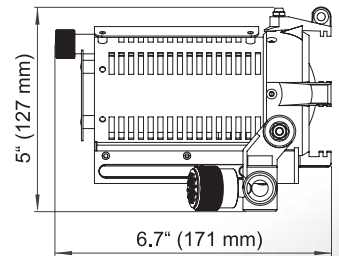
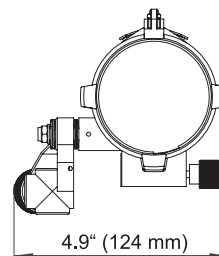
The fourth generation DLH4 light head is the single, best selling professional, precision light source in the world. This new generation incorporates the award winning Aspherics² lens combination and zoom focus.

The many power options and unprecedented range of accessories make it a uniquely versatile instrument.

- New Dedolight Aspherics² Optics
- Drastically improved light output

Technical Data: DLH4

Focus angle:	48° – 4.5°
Focus intensity:	1 : 20
Weight:	558 g (1.2 lb.)
Max wattage:	100 W (12 V), 150 W (24 V)
Cable length:	See power options diagram on opposite page
Mounting:	To any 16 mm (5/8") stud
Operating position:	Any





DLH1 x 150S Tungsten Soft Light

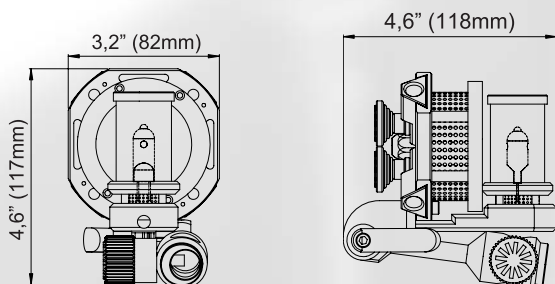
Don't let the small size and low wattage deceive you! Because of the high light output of the low voltage lamp, it performs well as an interview soft key or fill light. This soft light uses the same power supplies as the focusing DLH4 light head. When used with a 12 volt lamp it will also work with battery power. See power options on right.

Adjustable speed ring adapts to many soft boxes in seconds: Ø 90 mm for Dedoflex mini soft box (DSBSXS), Ø 130 mm for small (DSBSS) and for medium (DSBSM) size Dedoflex domes should a larger diffusion surface be desired.

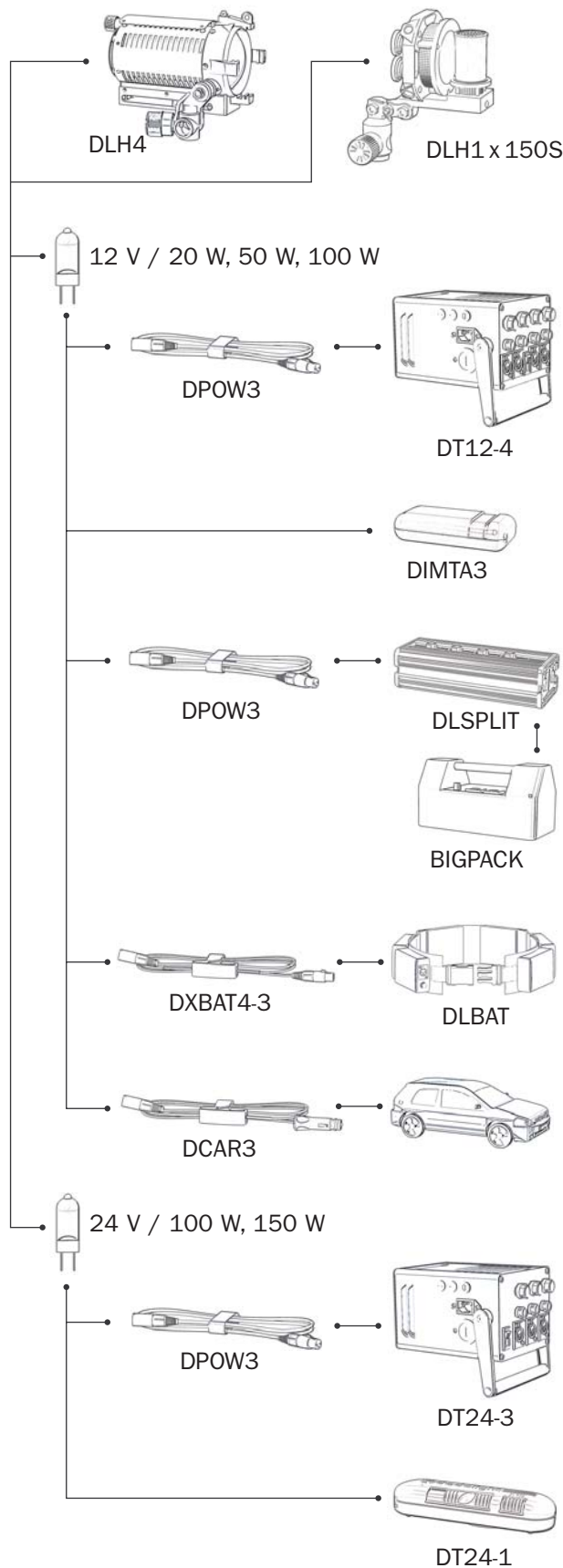
For packing see page 37 ("soft light packing")

Technical Data: DLH1x 150S

Weight: 600 g (1.3 lb.)
 Max. wattage: 150 W
 Mounting: To any 16 mm (5/8 ") stud



Power Options





DLH4x150S Tungsten Soft Light

A dedicated soft light for feature films or television series.

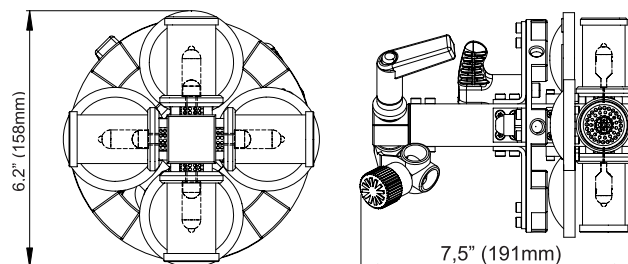
This soft light contains four 150 W lamps with reflectors in one unit, providing light output just shy of a soft box mounted to the front of a 2 K Fresnel. Used with small, medium or large soft boxes, the light level at a given distance remains unchanged even though the size of the diffuser surface changes drastically. The illumination of the diffuser is perfectly even, whether one lamp or all lamps are in operation. Depending on the power option used, the four lamps can be dimmed individually allowing infinite variation of warm tone effects.

This light weight head does not require heavy mounting accessories.

Great versatility of powering options (see page 37)
Requires DT4x150S, DT24-3 or DT12-4 power supply.

Technical Data: DLH4x150S

Weight: 800 g (1.8 lb.)
Lamp: Four 24 V 150 W DL150
Cable length: 1.7 m (5.6')
Mounting: To any 16 mm (5/8") stud



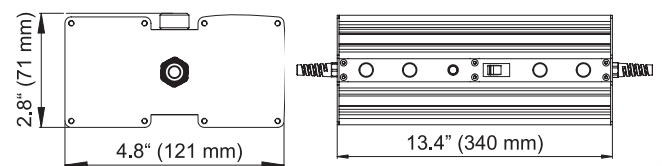
DT4x150S Power Supply

The DLH4x150S is powered from the DT4x150S control unit* which allows individual dimming of each lamp. Any desired color temperature below 3400 K can be chosen. Four different intensity levels can be set for each color temperature by activating one, two, three or four of the lamps. An infinite variation of intensity and warm tone effects can be achieved.

* Available in four different input voltages (four versions):
240 V (DT4x150SE +), 230 V (DT4x150SE),
120 V (DT4x150SU), 100 V (DT4x150SJ)

Technical Data: DT4x150S

Weight: 2.5 kg (5.5 lb.)
Output voltage: 4 x 24 V
Controls: Each output is individually dimmable





Alternative Power Options for DLH4x150S

DLH4x150S powering is not limited to the DT4x150S power supply. Many other options are possible:

- **BIGPACK** battery and **DLSPLIT** dimming splitter box with four lamps at 50 W/12 V (see page 42)

If the **DPOW4X** multi conductor cable (shown above) is used, the four lamps of the DLH4x150S may be powered like four individual classic series, Dedolight heads (see “classic power supplies”, pages 38 and following for details)

- One **DT24-3** (page 39): Three lamps at 150 W/24 V. Three calibrated steps of control for each lamp
- One **DT12-4** (page 38): Four lamps at 100 W/12 V. Three calibrated steps of control for each lamp
- Four **DT24-1** (page 40) in-line dimmable power supplies. Four 150 W/24 V lamps, two calibrated steps for each lamp or individual continuous dimming
- Four **DIMTA3** (page 40) in-line dimmable power supplies. Four 100 W/12 V lamps, individual continuous dimming for each light

(Note: Lamp voltage needs to match power supply voltage)

Soft light packing

HTP – High temperature pouch

Pouches are made from a space technology textile material (supersil) which can withstand temperatures up to 1100 ° C (2000 ° F).

- To pack a hot soft light
- To protect the soft lights glass tube

Available in the following versions:

HTP150S	for DLH1 X 150S	HTP200S	for DLH200S
HTP300S	for DLH1 X 300S	HTP400S	for DLH400S

HTP4 X 150S	for DLH4 X 150S
HTP1000S	for DLH1000S and DLH1000SPPLUS



DLH1x300S Tungsten Soft Light

Powerful, small size AC powered 300 W soft light, also available as a dimmable version (**DLH1X300SDIM**). This travel soft light is ideally suited as an interview soft key or fill light.

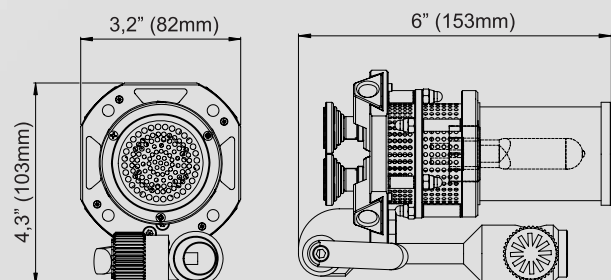
Adjustable speed ring adapts to many soft boxes in seconds:
 Ø 90 mm for Dedoflex mini soft box (**DSBSXS**).
 Ø 130 mm for small (**DSBSS**) and medium (**DSBSM**) size Dedoflex domes should a larger diffusion surface be desired.

Will adapt to different input voltages by lamp change.

For packing see opposite column (“soft light packing”)

Technical Data: DLH1x300S

Weight:	1.38 kg (3 lb.)
Max wattage:	300 W
Mounting:	To any 16 mm (5/8”) stud
Cable:	3 m (9.8')



Power Supplies

Dedolight low voltage heads using 12 V or 24 V lamps can be powered from many power sources such as camera batteries, car batteries (directly or via cigarette lighter adapter), battery belts, or any other 12 V or 24 V AC or DC power source. Beside its versatility, the Dedolight low voltage system also offers several economic advantages. (See page 12 for details)

AC current options with 12 V lamps:

- **DT12-4** Power Supply/Control Unit – Offers four outputs, adjustable to power inputs from 100 V to 255 V AC, with precise output control in calibrated steps.
- **DIMTA3** – An in-line electronic power supply for countries with 220 V – 240 V AC. Powers one light head and offers continuous dimming. (See page 40)

AC current options with 24 V lamps:

- **DT24-3** Power Supply/Control Unit – Allows powering from 100 V to 255 V AC, with precise output control in calibrated steps. (See page 39)
- **DT24-1** In-line dimmable electronic power supply. Powers one light head and offers continuous dimming. (See page 40)

Options for battery operation:

- Battery adapter cable (**DXBAT4-3**)
- Car cigarette lighter adapter (**DCAR3**)

A detailed description of these power options follows.



DT12-4 Power Supply

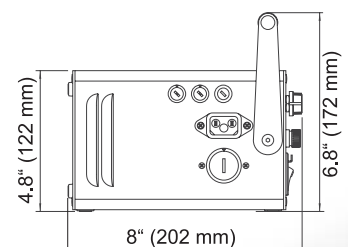
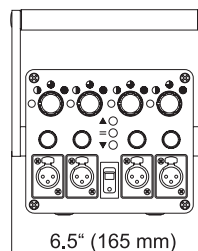
The DT12-4 Power Supply/Control Unit can simultaneously power four classic Dedolight heads equipped with 20 W, 50 W, 100 W or mixed wattage lamps. Its AC power input can be set for every AC power in the world from 100 – 255 V AC in 24 steps. Each light output can be individually and independently switched in four distinct steps, each increasing color temperature and output:

- | | |
|-----------|-------------------------|
| 1. Off | |
| 2. Low | 3000 K |
| 3. Medium | 3200 K (10.7 V at lamp) |
| 4. High | 3400 K (12.2 V at lamp) |

The DT12-4 also incorporates an input voltage indicator allowing the user to determine the correct input voltage setting at a glance and to precisely control the color temperature.

Technical Data: DT12-4

Weight:	5.5 kg (12.1 lb.)
Input voltage:	100 – 255 V AC (switchable)
Output:	4 x 10 – 12 V AC, max. 100 W
Controls:	Illuminated master power switch Fused input and outputs Switchable input and outputs





DT24-3 Power Supply

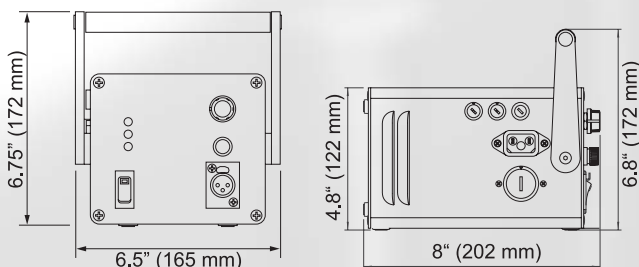
The DT24-3 Power Supply/Control unit can simultaneously power three classic Dedolight heads equipped with 150 W lamps at a nominal voltage of 24 V AC. Its AC power input can be set for every AC power in the world from 100–255 V in 24 steps. Each light output can be individually and independently switched in four distinct steps, each increasing color temperature and output.

- | | |
|-----------|-----------------------|
| 1. Off | |
| 2. Low | 3000 K |
| 3. Medium | 3200 K (22 V at lamp) |
| 4. High | 3400 K (24 V at lamp) |

The DT24-3 also incorporates an input voltage indicator allowing the user to determine the correct input voltage setting at a glance and to precisely control the color temperature.

Technical Data: DT24-3

Weight:	5.15 kg (11.4 lb.)
Input voltage:	100–255 V AC (switchable)
Output:	3 x 17.4–24.5 V AC, max. 150 W
Controls:	Illuminated master power switch Fused input and outputs Switchable input and outputs



Cables

A complete range of cables are available to meet any power interface need that might arise: 100–255 V AC, 12 V or 24 V DC, camera batteries, automotive batteries, cigarette lighters, in-line dimmable electronic power supplies.

DP0W3

Light head cable
Connects DLH4 light head to DT12-4 or DT24-3 power supply. May also be used as an extension cable.
Length: 8 m (26.2')

DXBAT4-3

Battery cable – 4-pin XLR
Connects DLH4 light head to any 12 V battery with 4-pin XLR connector.
Length: 1.2 m (3.9')

DCAR3

Cigarette lighter adapter
For powering a Dedolight DLH4 light head with 12 V lamp from automobile cigarette lighter. The DCAR3 adapter consists of a cable with cigarette lighter plug, micro fuse, in-line on/off switch and mating connector.
Length: 2.5 m (8.2')



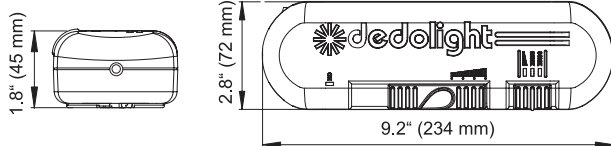


DT24-1 Power Supply

After several years of development work, we are proud to introduce this new in-line dimmable electronic power supply. The DT24-1 power supply provides 24 V at 150 W which results in 80 % more light output in comparison to the 12 V/100 W power supply.

Technical Data: DT24-1

Weight:	710 g (1.5 lb.)
Input:	Three versions for world wide use DT24-1E (230/240 V AC input) DT24-1U (120 V AC input) DT24-1J (100 V AC input)
Output:	0 V – 24 V/150 W max.
Controls:	Variable function switch for: <ul style="list-style-type: none"> • ~ 3400 K (maximum output) • ~ 3200 K • Continuous dimming from maximum to minimum

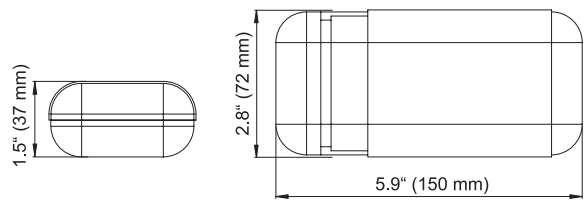


DIMTA3 Power Supply

In-line dimmable electronic power supply. 12 V lamps can be used up to 100 W. Maximum color temperature is 3200 K. Maximum light output is equivalent to medium position on the DT12-4 power supply.

Technical Data: DIMTA3

Weight:	498 g (1.1 lb.)
Input voltage:	230 V AC
Output:	0 V – 11 V AC/100 W max.





12 V Battery Belts

Our battery belts are built from extremely durable textile materials and feature two different types of cells.

- NiCd (nickel cadmium) cells with high reliability, long lifetime, and good performance in cold weather conditions. Lower capacity than NiMH cells of the same size.
- NiMH (nickel metal hydride) cells with higher capacity. Longer run time for comparable size.

Our battery belts are available in different capacities and in 12 different versions. All have built in (5 – 7 hour) chargers that work with inputs from 84 – 240 V at 50 – 60 cycle for world wide use.

Options:

- Incorporated electronic discharge guard (add suffix "E")
- With electronic discharge guard and built in dimmer (add suffix "ED")

Technical Data

		Catalog No.	DLBAT 54	DLBAT 84-1	DLBAT 84-2	DLBAT 84-13
Cell type			NiCd	NiCd	NiMH	NiMH
Voltage (V)			12	12	12	12
Current (Ah)			5	8	8	13
Weight (kg)			2.0	3.0	2.0	3.0
Weight (lb)			4.4	6.6	4.4	6.6
Run Time (minutes)	100 W lamp		35	50	50	90
	50 W lamp		70	100	100	180

DLBAT54 – NiCd cell

12 V/5A h battery belt with 4-pin XLR connector
Weight: 2.0 kg (4.4 lbs)

DLBAT84-1 – NiCd cell

12V / 8 Ah battery belt with 4-pin XLR connector
Weight: 3.0 kg (6.6 lbs)

DLBAT84-2 – NiMH cell

Same size and weight as DLBAT54 NiCd but with higher capacity
Weight: 2.0 kg (4.4 lbs)

DLBAT84-13 – NiMH cell

Same size and weight as DLBAT84 NiCd but with higher capacity
Weight: 3.0 kg (6.6 lbs)

Use the **DXBAT4-3** cable to connect battery belts to Dedolight **DLH4** light head.

Use the **DLOBA²-XLR** cable to connect battery belts to **DLOBA²** on-board light head.

When using the **DLOBA²** on-board light, set the battery belt dimmer to maximum for full light head control and to prevent possible damage to the electronics.





BIGPACK Battery Pack

The BIGPACK will power up to four classic 12 V Dedolights in conjunction with the Dedolight splitter box (DLSPLIT) and may also be used to power the Series 200 lights. Includes internal overnight charger. They are available in two different versions.

Technical Data: BIGPACK1

Battery: NiMH
 Two separate outputs: 14.4 V (26 Ah) & 28.8 V (13 Ah)
 Input voltage : 84–240 V/50–60 Hz
 Size: 13.5 cm x 27.5 cm x 18 cm
 (5.3 " x 10.8 " x 7.1 ")
 Weight: 8 kg (17.6 lb.)

Technical Data: BIGPACK2

Battery: NiCd
 Two separate outputs: 14.4 V (16 Ah) & 28.8 V (8 Ah)
 Input voltage: 84–240 V/50–60 Hz
 Size: 13.5 cm x 27.5 cm x 18 cm
 (5.3 " x 10.8 " x 7.1 ")
 Weight: 8 kg (17.6 lb.)

DEXTCHG

Optional external four hour charger
 Dimension: 189 x 132 x 82 mm
 (7.4 x 5.2 x 3.2 ")
 Weight: 650 g (1.4 lb.)



DLSPLIT Splitter Box

Dedolight splitter box to power up to four classic 12 V Dedolights. Use four 50 W or two 100 W lights. May be powered from 14.4 V output of BIGPACK 1 or 2. Each output is individually and continuously dimmable.

Technical Data: DLSPLIT

Input voltage: 12–20 V DC
 Output: Each regulated to 12 V Max. total 200 W
 Size: 22 cm x 6 cm x 8.5 cm
 (8.7 " x 2.4 " x 3.3 ")
 Weight: 836 g (1.8 lb.)

BIGPACK runtime examples

Cell type	2 x 50 W or 1 x 100 W	4 x 50 W or 2 x 100 W
NiCd (230 Wh)	138 min.	69 min.
NiMh (374 Wh)	224 min.	112 min.





DLOBA² On-Board Tungsten Light Head

The Dedolight DLOBA² incorporates a modified double Aspherics² optical system. The wide focusing range covers a 70° angle for even edge-to-edge lighting with the widest zoom lenses, yet allows a narrow beam of 6° for far reach (1:10).

The DLOBA² may be mounted directly to a film or video camera by the screw and shoe mount that is provided. The software driven miniature electronics regulate lamp voltage to 12 V DC and may be used with batteries up to 21 V DC.

- Higher light output with less energy consumption
- Soft start to protect recorder operation from start peaks
- Short circuit protection
- LED "power available" indicator
- Defective or missing lamp indicator
- Flip up diffuser for close-up interviews
- Flip down dichroic daylight conversion filter
- Full electronic dimming with no energy loss
- Low voltage switch off to protect batteries from deep discharge
- Adjustable support arm allows positioning above, forward and off axis of camera

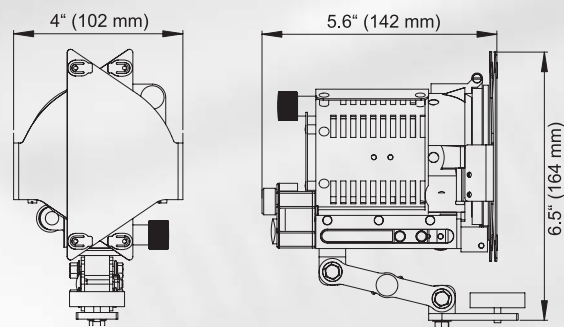
Cables:

- DLOBA²-AB** for Anton/Bauer output on gold mount plate
- DLOBA²-PAG** to connect to output on PAG system
- DLOBA²-XLR** cable with 4-pin XLR connector for battery belts, battery blocks, etc.

Technical Data:

DLOBA²

- Focus angle: 70° – 6°
- Focus intensity: 1 : 10
- Weight: 558 g (1.2 lb.)
- Wattage: 12 V / 50, 35, 20 W
- Input voltage: 10 V – 21 V
- Mounting: Camera shoe or 1/4"-20 screw



DT12DC Power Supply

The DT12DC allows powering the DLOBA² on-board tungsten light head from mains.

Technical Data: DT12DC

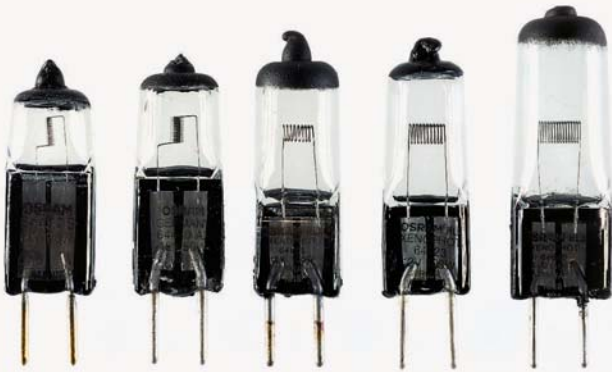
- Weight: 970 g (2.1 lb.)
- Size: 196 mm x 88 mm x 51 mm (7.7" x 3.4" x 2")
- Input: 90 – 260 V AC
- Output: 12 V DC/130 W
- Safety: Over voltage and overload protection



When in continuous use (after approx. 20 min.) the internal cooling fan starts operating. Fan noise may disturb sound recording.

Adapter423
4-pin to 3-pin adapter.





Lamps

The lamps used in the Dedolight system offer five distinct advantages.

- Our low voltage lamps offer very high light output up to 40 lumen per watt - much more (double) than high voltage halogen lamps used in conventional studio lights.
- Dedolight lamps cost only a fraction of lamps used in standard line voltage lights with similar output.
- The long lifetime (especially of the 12 V system) adds further to the savings in operating costs. The savings over time surpass the original purchase price of the entire Dedolight light head several times.
- The high durability of the lamps allow Dedolights to be used in tough environments. High shock and vibration resistance allows the use of Dedolights under conditions which would be practically impossible for fixtures operating on standard voltages.
- The small size of the filament contributes to the effectiveness of the optical system.

DEDOLIGHT LAMPS

for film, TV and photographic work

Lamp	V	W	Lifetime hours	
			Rated ¹	In Dedolight ² at 3200 K
DL20	12	20	3000	3000
DL50	12	50	50	800
DL100	12	100	50	700
DL100-24	24	100	300	800
DL150	24	150	50	300

¹ Manufacturers average rating
² Average maximum lifetime in Dedolight excluding boost position on DT12-4 and DT24-3 power supplies and 3400 K position on DT24-1

DEDOLIGHT LAMPS

New DLOBA² on-board Dedolight with electronic voltage regulation will work with DL100 and DL50 lamps resulting in higher output.

Consult our sales department for lamp selection when using 13.2 or 14.4 V batteries on old non electronic DLOB light heads.





DLWA

DLWA – The wide eye is an optical wide angle attachment for classic Dedolight and Sundance 200D Dedolight. A special negative lens widens the maximum angle from 48° to 80°. Wide angle focusing still possible. Integrated 8 leaf barn door for precision control.



DBD8

DBD8 – Standard eight leaf barn door with gel clips. Small leaves have two helper leaves to eliminate unwanted light exit. Each large leaf has two clips for attachment of gel filters. Use of gels (blue, ND, dark colors) with this barn door (instead of filter holder) extends the gel life when used on Aspherics² light heads. Weight: 119 g (4.2 oz.)



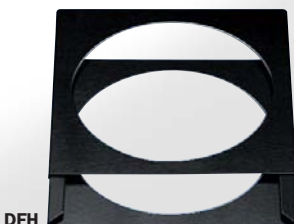
DBD2

DBD2 – Super barn door. A twelve leaf barn door designed for precision work. A unique patented system which allows individual rotation of each main leaf to create trapezoidal shapes when lighting rectangular objects from off-axis angle. Leaves are 80 mm (3 1/8") – 25.4 mm (1") longer than standard to provide better shadow definition. Both smaller leaves are fitted with four spring loaded helper leaves to ensure that no unwanted light escapes. Weight: 169 g (6 oz.)



DPLS

DPLS – Light shield ring. Prevents stray light from exiting light head when no filter accessory is used. Weight: 19 g (0.6 oz.)



DFH

DFH – Gel filter holder. Accepts any type of heat resistant gel filter. Size: 7,6 x 7,6 cm (3 x 3 ") Weight: 20 g (0.7 oz.)

DSCFS – Full scrim, single. Light reduction of 43 % (3/4 stop).



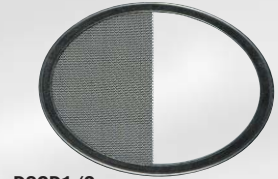
DSCFS

DSCFD – Full scrim, double. Light reduction of 55 % (~1.2 stops).



DSCFD

DSCS^{1/2} – Half scrim, single. Reduces light for approximately half angle of light output. 360° rotatable.



DSCS1/2

DSCD^{1/2} – Half scrim, double.

DSCG – Graduated scrim. Allows lighting with a gentle blend of three intensities. 360° rotatable.



DSCG

DSCK – Scrim kit. Includes DSCF, DSCD, DSCS 1/2, DSCD 1/2 and DSCG.

DSCP – Scrim pouch. Textile pouch accepts several scrims, with strap to hang on stands and "belt" to store clothespins.



DSCP

DPACP – Accessory pouch. for Imager/Projection attachment, four compartments for gobos, scrims, filters, framing shutters, etc.



DPACP

DSCGP – Gobo, scrim and gel pouch.



DSCGP

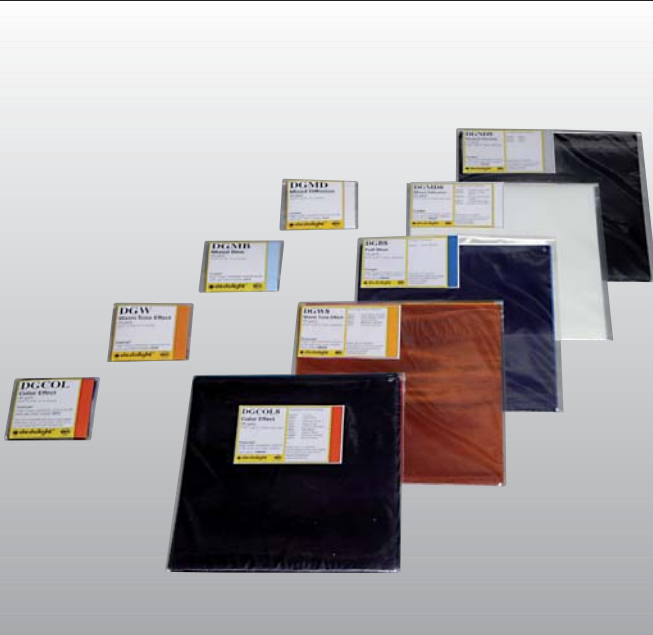
DGRADF03, DGRADF06, DGRADF09 – Graduated, neutral gray glass filters with dichroic coating. Soft edge transition from clear glass to neutral gray, available in three densities. ND03 (one stop), ND06 (two stops), ND09 (three stops). Great help in smoothing light distribution when lighting from an angle.



DGRADF03, DGRADF06, DGRADF09



CLASSIC ACCESSORIES



Gel Filters

Gel filters are available in many different versions and help to achieve a number of different effects.

Sets of individually marked, pre-cut gel filters

DGB – Full blue.

Converts 3200 K to daylight. Blue gels (DGB) can be used to convert tungsten to daylight or to raise the color temperature of a tungsten light in small steps (DGMB).

DGMB – Mixed blue.

Full blue (B)
Half blue (1/2)
Quarter blue (1/4)
Eighth blue (1/8)

DGMD – Mixed diffusion.

Diffusion gels go from a slight spread of the beam (light) up to wide-angle spread (white diffusion) and even offer diffusion of the light in only one axis (silk). Tough frost (TF)
Powder frost (PF)
Light tough frost (LTF)
Tough silk (TS)
Tough white diffusion (TWD)

DGND – Neutral density.

Neutral density gels (DGND) reduce the light intensity. ND03 (03)
ND06 (06)
ND09 (09)

DGW – Warm tone effect.

Dark bastard amber (03)
Pale amber gold (09)
Deep straw (15)
Medium amber (20)
Golden amber (21)

DGCOL – Color effect.

Canary (312)
Light red (26)
Salmon pink (31)
Deep pink (43)
Deep lavender (58)
Sky blue (68)
Italian blue (370)
Chroma green (389)
Kelly green (94)

DGMO – Mixed orange.

Full orange (0)
Three-quarter orange (3/4)
Half orange (1/2)
Quarter orange (1/4)
Eighth orange (1/8)

The figures in this table show the quantity of each type of pre-cut gel filters that are included in each package. DGMB gel packages contain double the quantity of full blue and half the quantity of half blue, quarter blue and eighth blue.

Filter size	7.6 x 7.6 cm 3" x 3"	19 x 22 cm 7.5" x 8.7"	12 x 12 cm 4.7" x 4.7"	28 x 30 cm 11" x 11.8"
DGB	12*	12	-	12
DGMB	8B/4	8B/4	-	4B/2
DGMD	4	4	4	4
DGND	4*	4	-	4
DGW	4	4	4	4
DGCOL	4*	4	-	2
DGMO	-	4	-	2
Use in / with	DFH – filter holder Classic Dedolight	DBD-8 – New Classic barn door	DFH400 – Series 400 filter holder	DBD400 – Series 400 barn door

* Not recommended for use in the classic Dedolights DLH1-DLH3 with 150 W lamp or Dedolight DLH4 with Aspherics².

The DLH4 series of Aspherics² light heads provide significantly higher light output which goes along with increased heat output from the front lens. The classic Dedolight in generations DLH1 through DLH3 utilized a gel filter holder (DFH) directly in front of the light head.

Some gel filters (blues, ND and darker colors) absorb too much of this added light output and will not provide sufficient gel lifetime. When using these types of gel filters on the DLH4 and DLHM4-300 light heads, use the larger size gels attached by the clips of the DBD8 barn door or attach to a standard barn door by other means.

Note: Order codes for different gel sizes.

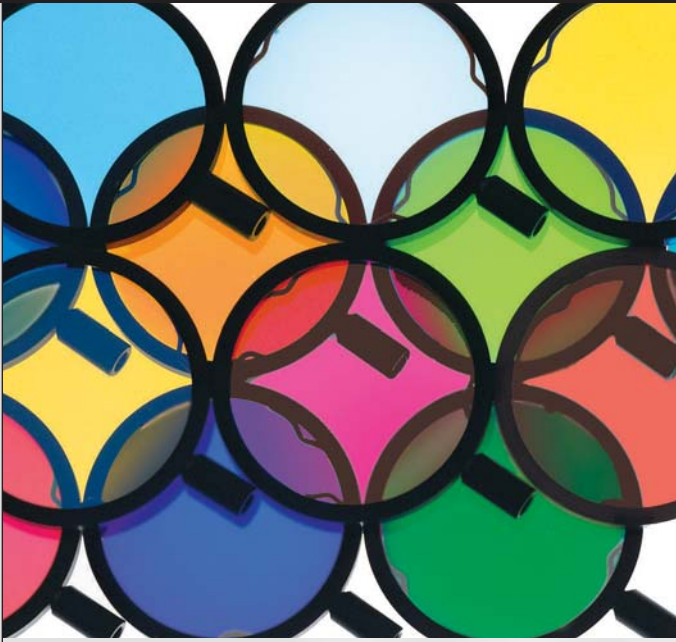
To fit the DFH filter holder (classic Dedolight): no suffix (example, # DGMD)

To fit the DBD8 (new classic barn door): add suffix "8" (example, # DGMD8)

To fit the Series 400 filter holder: add suffix "400" (example, # DGMD400)

To fit the Series 400 barn door: add suffix "4008" (example, # DGMD4008)





Glass Filters

These high-heat resistant glass filters are mounted in a round metal frame (Ø 76 mm/3 ") fitted with a plastic handle for safe removal when hot. Filters can be inserted directly into the filter slot of the Dedolight head.

DFCOL2 – Dichroic color effect filters.
The following versions are available:
Red (DFCOL2R)
Red magenta (DFCOL2RM)
Full orange (DFCOL2FO)
Yellow orange (DFCOL2O)
Yellow (DFCOL2Y)
Light green (DFCOL2LG)
Full green (DFCOL2FG)
Turquoise (DFCOL2T)
Light blue (DFCOL2LB)
Medium blue (DFCOL2MB)
Purple (DFCOL2P)

DCF – Daylight conversion filter.
This blue glass filter converts 3200 K to approximately 5000 K, and 3400 K to approximately 5500 K. Transmission is approximately 25 %. Light loss, 2 stops.

DDCF – Dichroic daylight conversion filter.
Daylight conversion filter for DLH4 and DLHM4-300. Light loss, 1 Stop.

DTCF – Tungsten conversion filter.
This orange dichroic glass filter converts the light of the DLH200D from daylight to tungsten (when daylight – lamp is used). 5600 K to approximately 3200 K. Light loss, 1 stop.



Reflectors/Diffusers

Collapsible textile reflectors and diffuser disks are available in three versions.

DFT30 – Translucent Diffuser.
Most commonly used with the DLTFH holder as a soft diffuser for enlarging the light source area but can also be used as a soft reflector. Shadows become gentler with subtle transitions.

DFS30 – Silver/White Reflector.
Offers a choice of using silver side for higher reflection or white side for a more softly diffused reflection.

DFGW30 – Gold/White Reflector.
Soft gold side offers a gentler warm tone reflection, pleasing for skin tones. White side for soft fill light.

Size: Ø 30 cm (12 "), Ø collapsed (in pouch) 10 cm (4 ")
Weight: 35 g (1.2 oz)

DLTFH – Dedoflex holder.
This holder accepts the 30 cm (12") Dedoflex diffuser and reflectors and is mounted between the stand and the light head.
Weight: 180 g (6.3 oz)





The Imager

Dedolight projection attachments are used to produce defined light and shadow patterns with absolute precision and infinite variations. They fit the front accessory slot of the DLH200D daylight/tungsten focusing light head and all classic Dedolights (except the DLOBA² on-board light).

Because the Dedolight and its projection attachment are a uniquely matched optical system, effective output is greater than offered by other fixtures with much higher wattage.

Dedolight projection attachments produce a clean shadow, high resolution and sharpness, as well as unrivaled contrast between black shadow and clean light with absolutely no color fringing. Use of interchangeable lenses controls size and intensity allowing working ranges from table top close ups to longer distances.

Our projection attachments have been used on Fresnel lights of other manufacturers, but unfortunately, with a sacrifice in light efficiency and image quality.

Imager Lenses

The Dedolight projection attachment employs interchangeable lenses with different focal lengths to produce various angles and image sizes similar to the way lenses are used on a camera.

60 mm or 85 mm lenses for projecting a larger image. The 85 mm lens can project an image with a diameter of 135 cm (53 ") at a distance of 2 m (6-1/2 '). The 185 mm lens can project an image with the same diameter (135 cm/53 ") at a distance of 5 m (16 ').

Note: Refer to "Photometrics" on page 93 for additional projection data.

These projection lenses are specifically designed for the Dedolight system. They are high quality lenses with metal barrels designed to withstand high heat.

DPL60M – 60 mm lens, f2.4

General purpose, wide angle lens.
Weight: 150 g (5.3 oz.)

DPL85M – 85 mm lens, f2.8

Standard projection lens. Supplied as standard part of DP1 and DP2.
Weight: 153 g (5.4 oz.)

DPL185M – 185 mm lens, f3.5

Has the longest focal length of the Dedolight projection lenses.
Weight: 516 g (1.1 lb.)

DPLZ120M – 70–120 mm zoom lens, f3.5

Variable focal length lens allowing precise adjustment of image size.
Weight: 516 g (1.1 lb.)

DPLZ150M – 85–150 mm zoom lens, f3.5

Variable focal length lens allowing precise adjustment of image size.
Weight: 516 g (1.1 lb.)

DPX – Extension tube

Works like a macro extension tube on a camera. Mounts between the projection attachment and projection lens. Extends the projection attachment by 60–100 mm. For projecting light and shadow shapes at short distances and for very small effects.
Weight: 105 g (3.7 oz.)



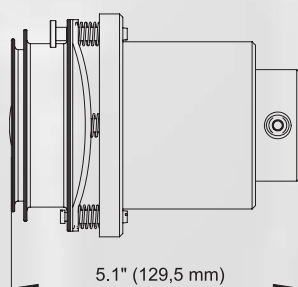
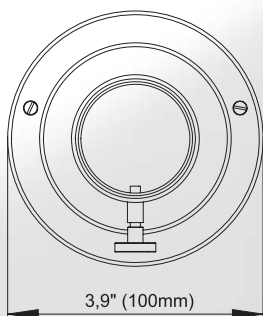


DP 1 Imager Projection Attachment

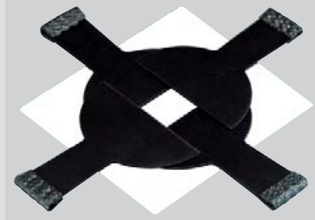
The DP1 Imager offers the greatest versatility with a spring loaded accessory slot to accept a wide range of imaging accessories.

DP1 – Universal projection attachment. Supplied with an 85 mm metal-mounted lens (DPL85M) and soft storage pouch. Weight: 437 g (15.4 oz.)

DP10 – Universal projection attachment. Same as DP1 but without lens. Weight: 284 g (10 oz.)

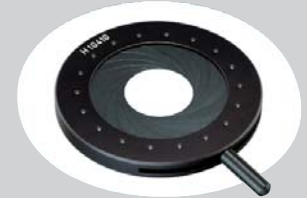


DPFS – Framing shutter blades. Supplied in a set of four. You can insert 3, 4 or even 5 of these framing shutter blades to form triangles, squares, rectangles, trapezoids and other shapes. Weight: 28 g (1 oz.)



DPFS

DPIR – Iris. A full metal iris allowing the creation of almost perfectly round images in varying sizes. The standard Dedolight iris features a continuous movement of 18 leaves. Weight: 48 g (1.7 oz.)



DPIR

DPGH – Gobo holder. A two part holder for round, standard M size Ø 66 mm metal gobos (shadow patterns). Weight: 22 g (0.8 oz.)

DPGGH – Glass gobo holder. A two part holder for round, standard M size Ø 66 mm glass gobos. Will hold 1.75 – 5.25 mm thick gobo. Weight: 26 g (0.9 oz.)



DPSH – Slide holder. Accepts any mounted 35 mm transparency. Warning: Use only in conjunction with the Dedolight heat filter (DHF). Weight: 45 g (1.6 oz.)

DHF – Heat filter. This glass filter with heat reflective coating, round metal frame and plastic safety handle reduces heat reaching the inserted transparency. Note: Some temporary loss of effectiveness when used for considerable duration.

DPACP – Accessory pouch for Imager/Projection attachment. Four compartments for gobos, scrims, filters, framing shutters, etc.

Note: When using the DPSH slide holder and DHF heat filter, the maximum lamp wattage should not exceed 100 W. The heat filter will sustain transparency life for short periods. If more light output and longer transparency life is desired, use the DP3 imager with forced air-cooling. The DP3 also offers image plane adjustments to maintain edge-to-edge sharp focus when projecting off axis.



CLASSIC IMAGING



Gobos

Hundreds of standard 'M' size gobo patterns are available to fit the DP1 and DP3 projection attachments. Request a gobo catalog to see available images that include, but are not limited to trees, foliage, clouds, windows, venetian blinds, church windows, floral patterns, snow flakes, sky elements, abstract patterns, city symbols and a wide range of graphic patterns.

DPG – Standard gobo.

Standard 'M' size, steel, fits classic imager.
Requires DPGH gobo holder.
Overall size: Ø 66 mm (2.5") Image size: Ø 50 mm (2")

DPGC – Custom gobo.

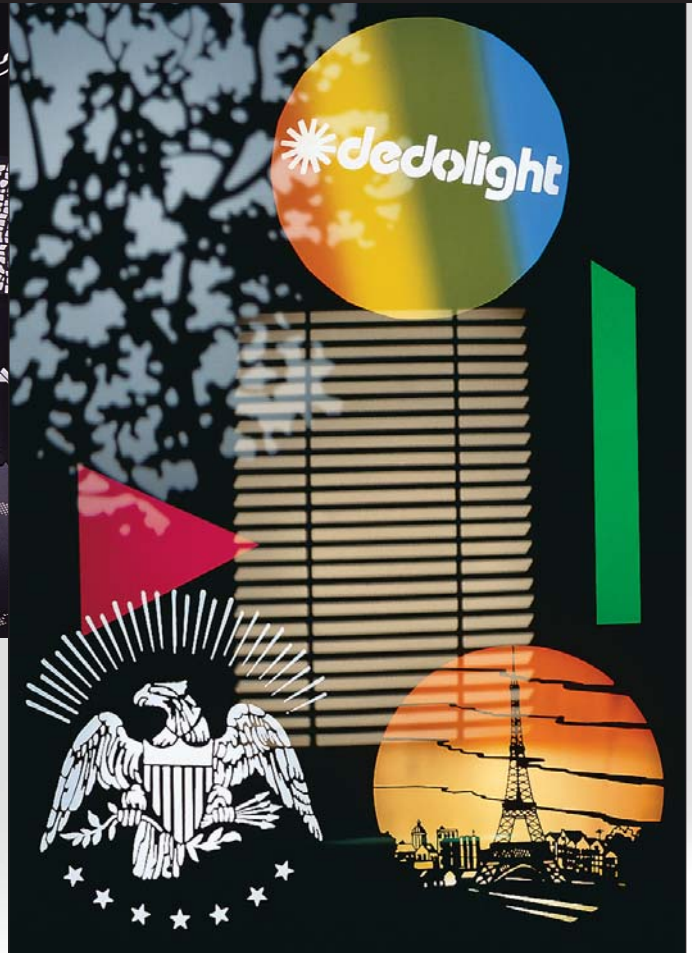
We also supply custom made gobos. These are popular for the projection of company logos, product names, store signs, etc.
Standard 'M' size, steel, fits classic imager.
Requires DPGH gobo holder.
Overall size: Ø 66 mm (2.5") Image size: Ø 50 mm (2")

DPGG – Glass gobo.

High resolution glass gobos, size 'M', fits classic imager.
Requires DPGGH gobo holder.
Overall size: Ø 66 mm (2.5") Image size: Ø 50 mm (2")

DPGGC – Custom glass gobo.

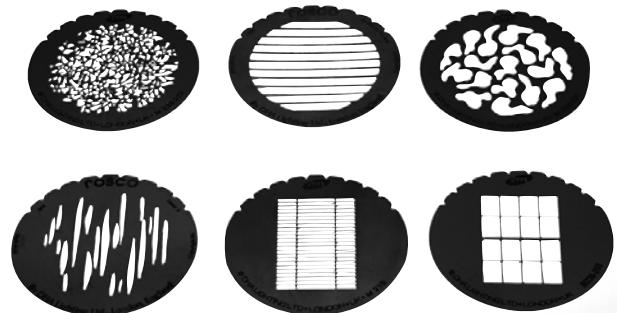
Custom made high resolution multi color glass gobo. These are popular for the projection of company logos, product names, store signs, etc.
Standard 'M' size, steel, fits classic imager.
Requires DPGGH gobo holder.
Overall size: Ø 66 mm (2.5") Image size: Ø 50 mm (2")



Hint: Gobo projections add a choice of moods to the setup. Combine with subtle color effects. Throw projected image out of sharp focus to add more depth to the image composition and achieve a "film look" to your video images.

DPGSET Gobo set (6 gobos).

Gobo sets are available in 'M' size for the classic series DP1 and DP3. Gobo sets are a selection of useful patterns which are projected on a background to bring mood to the image and create a feeling of depth.
Gobo sets are also available in 'A' size (DPGSET400) for the DP400 imager.





DP2 Imager Projection Attachment

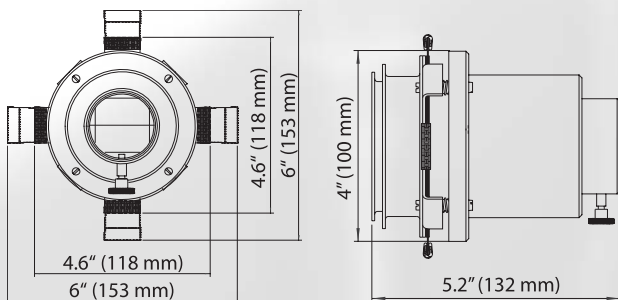
All optical qualities are identical to those of the universal imager (DP1).

The DP2 does not accept other accessories such as an iris, gobo holder or slide holder but is compatible with the DPEYESET eye attachment.

- The four shutter blades are built in and cannot be lost.
- A thin separator disc keeps the four blades from touching each other, eliminating the risk of accidentally moving one blade while manipulating another.
- The DP2 projection attachment was designed especially for gaffers and others who may need to change the projected shape frequently.

DP2 – Single function projection attachment. Supplied with an 85 mm metal mounted lens (DPL85M) and storage pouch. Weight: 494 g (1.1 lb.)

DP20 – Single function projection attachment. Same as DP2 but without lens. Weight: 340 g (12 oz.)



DP3 Imager Projection Attachment

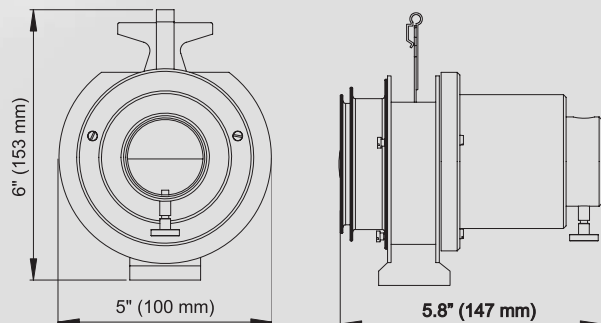
Slide and gobo projection imager with forced air cooling and adjustable image plane. All optical qualities and projection characteristics are identical to those of the universal imager (DP1), including the use of interchangeable lenses for controlling image size and working at different distances. The DP3 features a built in multispeed fan with in-line power supply and a high efficiency cooled heat reflecting filter. Allows the use of 35 mm transparencies for prolonged periods even with 150 W Aspherics² light heads or the 200D daylight/tungsten focusing light head.

The image plane adjustment allows edge to edge focus even for off axis projections with combined vertical and horizontal correction.

Either framed 35 mm transparencies or M size gobos can be inserted.

DP3 – Slide and gobo projection attachment. Supplied with an 85 mm metal mounted lens (DPL85M) and storage pouch. Includes multispeed 12 V power supply for fan. Weight: 815 g (1.8 lb.)

DP30 – Slide and gobo projection attachment. Same as DP3 but without lens. Weight: 661 g (1.5 lb.)





The effect of these three filters can be fine tuned by the focusing range of the projection lens.

An additional variation is achieved by focusing the Dedolight head itself.

The eye attachment consists of a filter holder which fits the DP400-185 projections lens. It can accept one, two or three filters simultaneously, providing seven different variations for softening the shadow edge.

The images on this page show only two of many possible uses for the eye attachment and its filters.

Weight: 99 g (3.5 oz.)

DPEYSET – Eye Attachment

As long time users of Dedolight equipment know, our system never stops growing. Many of the developmental ideas for the Dedolight evolved from discussions with directors of photography, lighting designers and gaffers. We welcome your suggestions and challenges.

The novel idea for the eye attachment came from Director of Photography, Julio Macat.

Before shooting feature films like “Home Alone,” he had worked on many music videos. He loves to highlight the actors’ eyes.

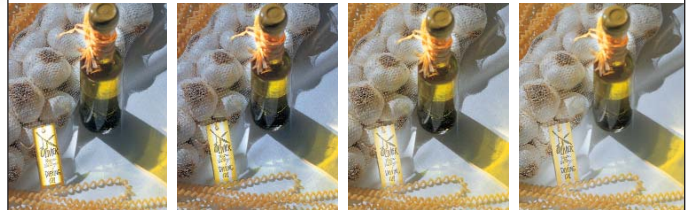
In the past, he used Dedolights with barn doors for this effect. We suggested using the Dedolight projection attachment but found that, even when unfocusing the lens, the effect was too harsh. Traditional diffusion materials or various camera filters did not improve the effect.

This gave us the idea of developing special filters for creating soft-edged effects. The purpose being to soften the shadow edge in various degrees without causing a lot of stray light. These new filters are different from traditional diffusion filters.

We now offer three filters:

The weakest filter (# 1) just takes the edge off a shadow border. Using the strongest filter (# 3) or a combination, one can create a transition so gentle and flowing that the effect is no longer obvious. What remains is a beautifully glowing effect. We have called this filter set “Julio’s Eyes” because of its history.

This innovation has become a unique and very helpful tool when shooting commercials, product photography, tabletops and many other subjects.



DPEYEP – Pouch for DPEYSET attachment and three filters.



The wide range of mounting accessories are an important part of the Dedolight system. In feature films and documentaries, gaffers often need to mount Dedolight heads in concealed positions so that the camera's view is neither obscured nor restricted by lighting stands or obtrusive mounting devices. Compact size is a significant benefit of the Dedolight system. The Dedolight uses an industry standard 16 mm ($\frac{5}{8}$ ") mounting socket and can be rotated 360°, allowing the head to be suspended upside down.

DST – Dedolight stand.
Collapsed: 48 cm (19 ")
Maximum extension:
213 cm (7 ')
Weight: 955 g (2.1 lb.)

DSTFX – Dedolight flexible stand extension.
Compatible with DV6B vacuum mount, CLAMP1 Dedolight clamp, or any 16 mm ($\frac{5}{8}$ ") stud. It can be bent in any direction, even S-shaped or curled. A wonderful tool in difficult locations.
Length: 51 cm (20 ")
Weight: 150 g (5.3 oz.)

DSTX – Extension.
Dedolight stand extension.
Length: 49,5 cm (1.6')
Weight: 88 g (3.1 oz.)

DH2 – Dedolight holder.
Made of special elastic aircraft aluminium, the Dedolight holder not only tapes to flat surfaces but cut-outs in the plate allow it to be attached to table legs and small or large pipes. Just use the supplied mounting chains or gaffer tape, nails or screws. The base plate's attached two way articulating arm is made of heavy duty spring steel.
Weight: 142 g (5 oz.)

CLAMP1 – Dedolight clamp.
The Dedolight clamp attaches securely to stands, pipes, shelves, etc. up to 4.8 cm ($1\frac{7}{8}$ ") diameter. It is fitted with a 16 mm ($\frac{5}{8}$ ") stud that pivots and locks in two positions.
Weight: 147 g (5.2 oz.)

DV6B – Vacuum mount.
152 mm (6 ") diameter vacuum cup creates a powerful suction, enabling you to mount the Dedolight head securely to windows, doors or other flat, non-porous surfaces. Comes complete with a locking swivel joint. The swivel joint has a 16 mm ($\frac{5}{8}$ ") stud for easy mounting of light fixtures up to 15 kg (33 lbs.).
Weight: 666 g (1.47 lb.)

DWS – Screw mount.
16 mm ($\frac{5}{8}$ ") stud with wood screw and plate.
Stud length: 20 cm (7.8 ")
Weight: 140 g (4.9 oz.)

DLUMT – Universal mount.
Allows the attachment of standard Dedolight heads (DLH4) to cameras by $\frac{1}{3}$ " screw or shoe mount.
Weight: 62 g (2.2 oz.)

DLCLAMP – Camera clamp.
Allows the attachment of a DLOBA² light head to a camera carrying handle. May also be used with DLUMT to attach standard Dedolight heads.
Weight: 122 g (4.3 oz.)

DLSA – Stand adapter.
Allows attachment of on-board light head (DLOBA²) to light stands with 16 mm ($\frac{5}{8}$ ") stud.
Weight: 57 g (2 oz.)



DST

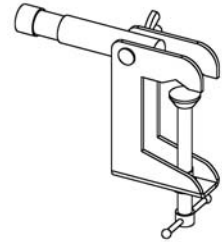


DSTFX

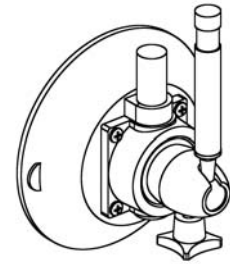
DSTX



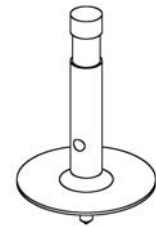
DH2



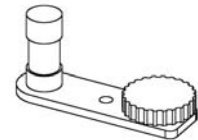
CLAMP1



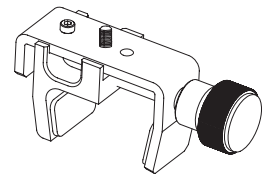
DV6B



DWS



DLUMT



DLCLAMP



DLSA



CLASSIC MOUNTING



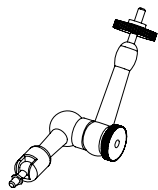
DTSH – Power supply stand adapter. Allows mounting of DT12-4, and DT24-3 power supply/control unit to light stands with 16 mm (5/8") studs.
Weight: 343 g (12.1 oz.)



DLHAND – Handle. Handle with ribbed rubber grip and 16 mm (5/8") stud for hand-held use of Dedolight heads.
Weight: 177 g (6.2 oz.)



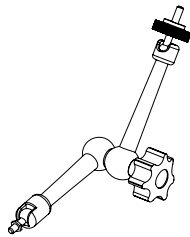
DLHAND



NF1105 (mini)

THE NOGA/DEDOLIGHT SYSTEM

A high quality mounting-arm-system for light heads, french flags, scrims, nets, monitors, DV-cameras, camera lights.



DG1105 (standard)

ARTICULATING MOUNTING ARM

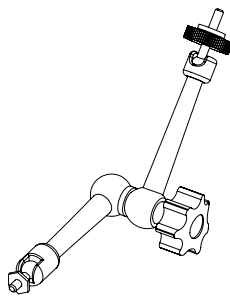
Two arms which rotate 360°. Ball joints on both ends and center screw lock with adjustable friction. Three different sizes:

NF1105 Mini Steel Mounting Arm

1/4" threads on both ends. 107 mm (4.2") full length. Weight: 315 g (0.7 lb)

DG1105 Standard Aluminum Mounting Arm

1/4" threads on both ends. 211 mm (8.3") full length. Weight: 300 g (0.67 lb)



MG1106 (maxi)

MG1106 Maxi Aluminum Mounting Arm

1/4" top external/ 3/8" bottom external. 246.5 mm (9.7") full length. Weight: 517 g (1.14 lb)

ADAPTER – 1/4" thread, 16 mm (5/8") receptacle.



ADAPTER

STUDL – 16 mm (5/8") stud with 1/4" thread, 120 mm (4.7").

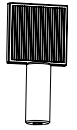


STUDL

STUDS – 16 mm (5/8") stud with 1/4" thread, 48 mm (2").



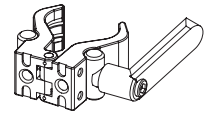
STUDS



STUDV

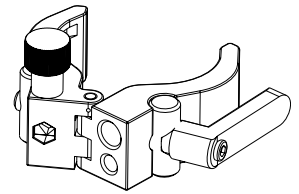
STUDV – Velcro holder with 1/4" thread.

CLAMPC – High precision clamp with 1/4" internal thread and hexagonal receptacle. Fits diameters from 13 mm (0.51") to 25,4 mm (1").



CLAMPC

CLAMPD – High precision clamp with 1/4" internal thread and hexagonal receptacle. Fits diameters from 25 mm (0,98") to 52 mm (2").



CLAMPD

STUD6L – Babystud 16 mm (5/8") with hexagonal rod. 150 mm (5,9") length.

STUD6L



STUD6M

STUD6M – Babystud 16 mm (5/8") with hexagonal rod. 110 mm (4,33") length.



STUD6S

STUD6S – Babystud 16 mm (5/8") with hexagonal rod. 65 mm (2,5") length.



STUDL90 – Babystud angle attachment 16 mm (5/8") stud, 150 mm (5,9") length and angle hexagonal rod 151 mm (6,04") length.

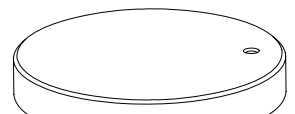
STUDL90



BASEL – Baseplate with 1/4" thread, Ø 120 mm (4.7"), 882 g (2 lb.).

BASEL

BASEH – Baseplate with 1/4" thread, Ø 120 mm (4.7"), 1543 g (3.3 lb.).



BASEH





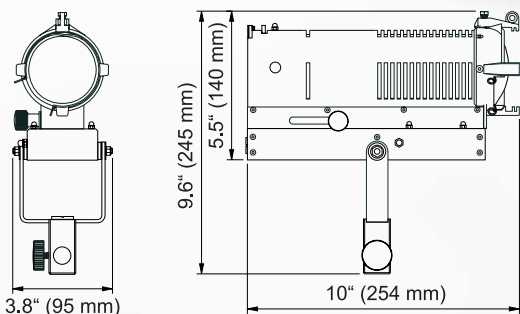
COOLH Dedocool Tungsten Light Head

The first light designed expressly to meet the special requirements of ultra high speed film making and videography. The Dedocool utilizes a low wattage, low voltage lamp working in combination with a unique optical system and a special reflector which concentrates an intense amount of light over a highly concentrated area. Two carefully matched heat reflecting filters and transmitting mirror, route the heat through two forced air ventilators and out the back of the head.

Over short periods of time, heating of the subject is negligible. Even after prolonged shooting sessions, ambient close range temperature could best be described as "warm." Light to subject distance, maximum 19.7".

Technical Data: COOLH

Weight:	1.84 kg (4 lbs)
Lamp:	24 V/250 W (ELC) Osram HLX 64653 or equivalent
Cable length:	690 cm (22' 8")
Mounting:	Standard 16 mm (5/8") receptacle
Input voltage:	21 – 26 V AC (from COOLT3)



COOLT3 Transformer Control Unit

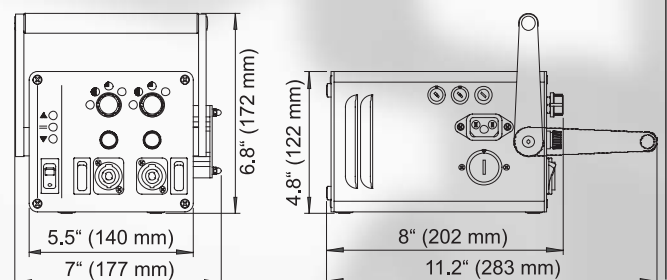
This Power Supply/Control Unit can simultaneously power two Dedocool tungsten light heads. Its AC power input can be set for every AC power in the world from 110 V to 240 V in six steps. Each light (output) can be individually and independently switched in four distinct steps, each increasing color temperature and output:

1. Set up position – approx. 3000 K – 21 V
2. Operating position – approx. 3200 K – 24 V
3. Boost position – approx. 3300 K – 26 V

The COOLT3 incorporates an input voltage indicator, enabling the user to determine correct input voltage at a glance and to control color temperature precisely.

Technical Data: COOLT3

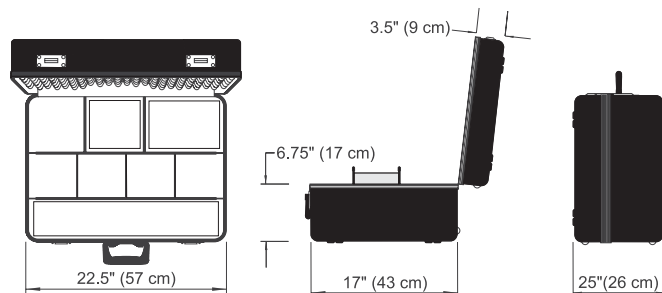
Weight:	4.56 kg (10.2 lbs)
Input voltage:	110 V – 240 V AC (switchable, 6 steps) 100 V – 240 V AC on request
Output voltage:	2 x 21 – 26 V AC (in three steps)
Safety:	Red LED indicator for each output indicating cool down period. Fused input and outputs



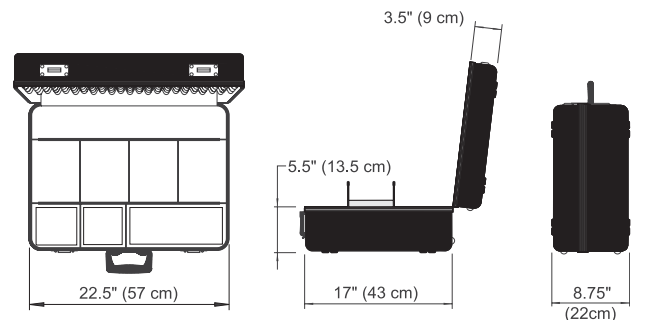
CASES

We offer heavy duty transport cases and lighter weight carrying cases to safely transport and store Dedolight equipment. Both types of cases feature custom interiors to secure your Dedolight system, no matter what its configuration is. Transport cases are molded in shock resistant, high density polyethylene to withstand long distance travel and unpredictable handling.

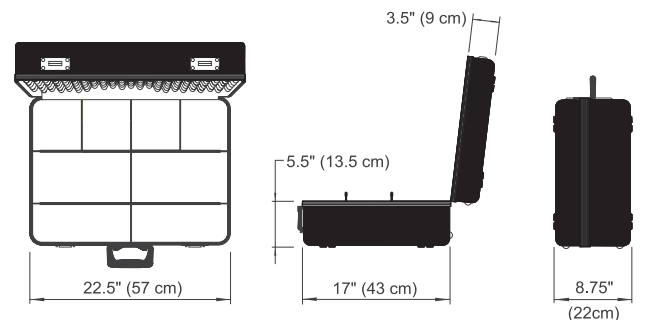
DCHD – Heavy duty transport case.
High impact, polyethylene molded case. Will hold all equipment supplied with K 12 and K 24 lighting kits.
Weight: 6 kg (13.2 lb.)
Size: 57 x 43 x 26 cm
(22.5 x 17 x 10.25")



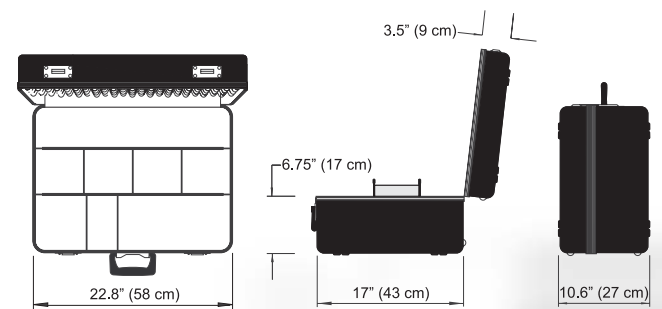
DCHDM4 – Heavy duty transport case.
High impact, polyethylene molded case. Will hold all equipment supplied with KAC and KA 1 lighting kits.
Weight: 5.3 kg (11.7 lb.)
Size: 57 x 43 x 22 cm
(22.5 x 17 x 8.75")



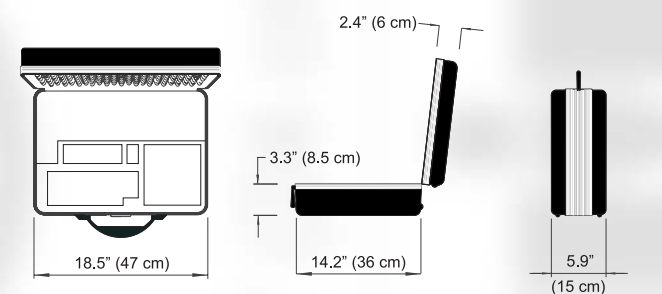
DCHDX – Heavy duty transport case.
High impact, polyethylene molded case. Will hold all equipment supplied with KX accessory kit.
Weight: 5.3 kg (11.7 lb.)
Size: 57 x 43 x 22 cm
(22.5 x 17 x 8.75")



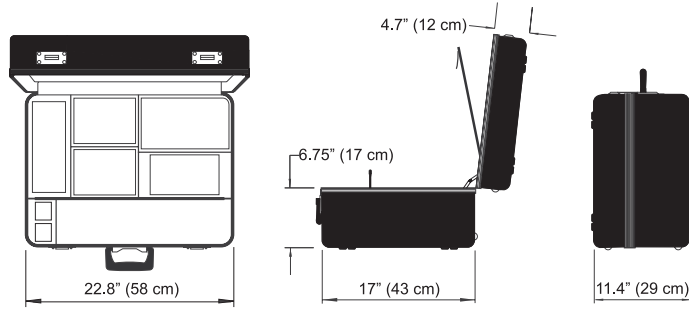
DCHDKA1 – Heavy duty transport case.
High impact, polyethylene molded case. Will hold all equipment supplied with KA24 lighting kits.
Weight: 5.3 kg (11.7 lb.)
Size: 57 x 43 x 22 cm
(22.5 x 17 x 8.75")



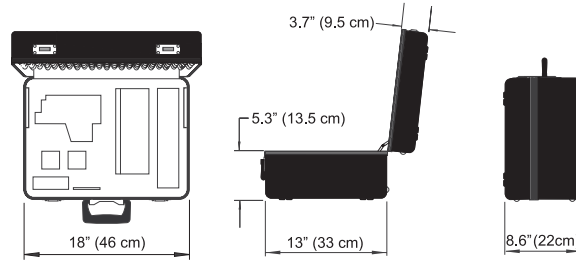
DCBAT – Transport case.
Molded carrying case.
Will hold all equipment supplied with KBAT and KOB lighting kits.
Weight: 2.8 kg (6.2 lb.)
Size: 46 x 34 x 15 cm
(18 x 13.4 x 5.9")



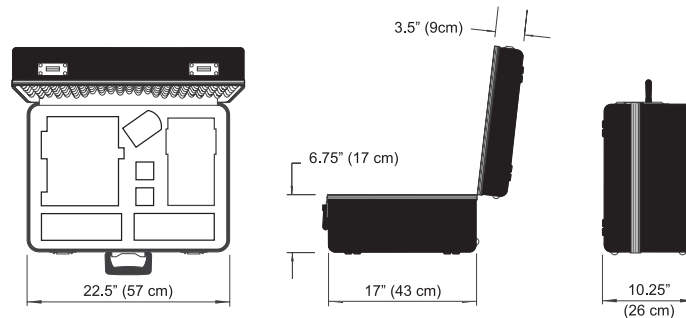
DCHD200-3 – Heavy duty transport case. High impact, polyethylene molded case. Will hold all equipment supplied in K200-3 Sundance kit.
 Weight: 6.6 kg (14.6 lb.)
 Size: 58 x 43 x 29 cm (22.8 x 17 x 11.4")



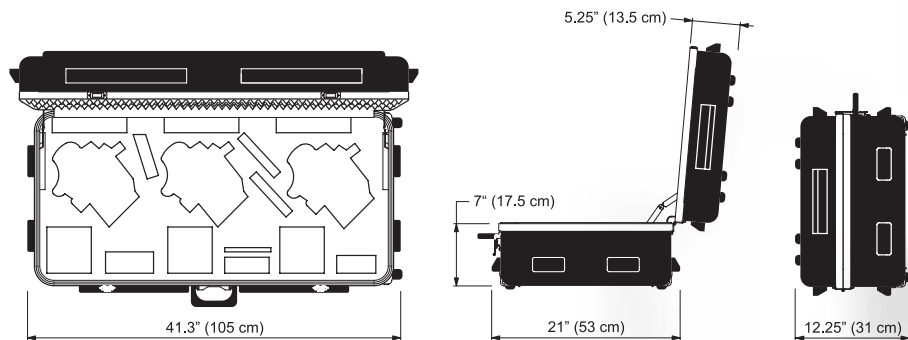
DCHD200-1 – Heavy duty transport case. High impact, polyethylene molded case. Will hold all equipment supplied in K200-1 Sundance kit.
 Weight: 2.8 kg (6.2 lb.)
 Size: 46 x 33 x 22 cm (18 x 13 x 8.6")



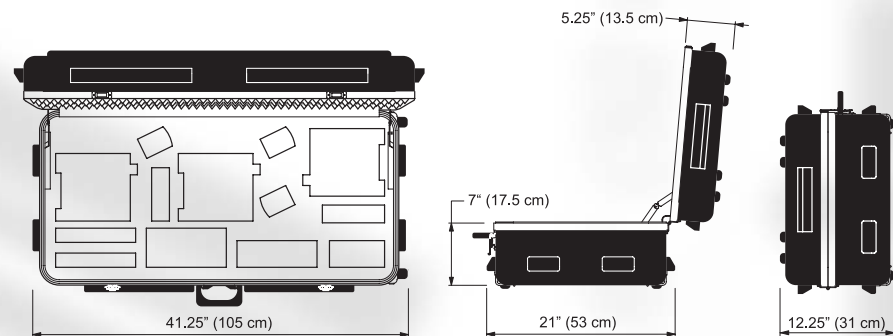
DCHD400 – Heavy duty transport case. High impact, polyethylene molded case for DLH400D or DLH436 light head and ballast/control unit.
 Weight: 5.0 kg (9.7 lb.)
 Size: 57 x 43 x 26 cm (22.5 x 17 x 10.3")



DCHD3x4 – Heavy duty transport case. High impact, polyethylene molded case for three DLH400D or three DLH436 light heads and ballasts/control units (with wheels).
 Weight: 12.5 kg (27.6 lb.)
 Size: 105 x 53 x 31 cm (41.3 x 21 x 12.3")

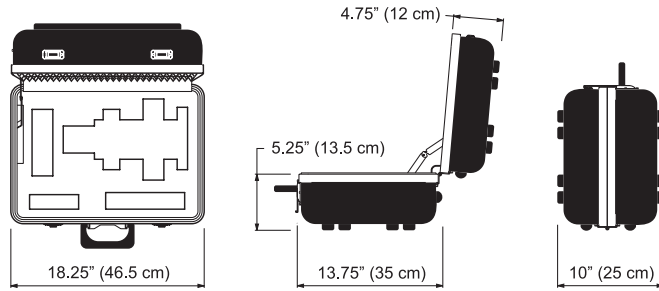


DCHD3x6 – Heavy duty transport case. High impact, polyethylene molded case for three DLH650 light heads and accessories (with wheels).
 Weight: 12.5 kg (27.6 lb.)
 Size: 105 x 53 x 31 cm (41.3 x 21 x 12.3")

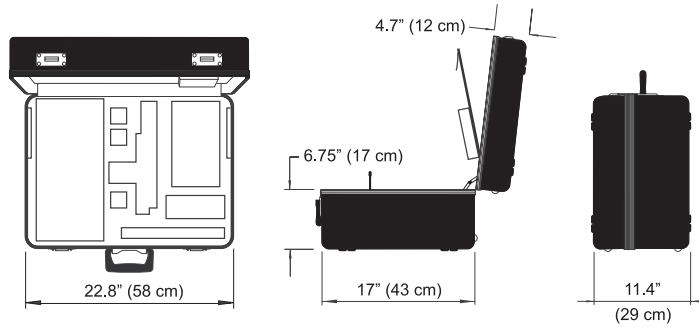


CASES

DCDP400 – Heavy duty transport case. High impact, polyethylene molded case for DP400 imager in standard configurations and additional space for accessories.
 Weight: 4.2 kg (9.3 lb.)
 Size: 46.5 x 35 x 25 cm (18.3 x 13.8 x 10")

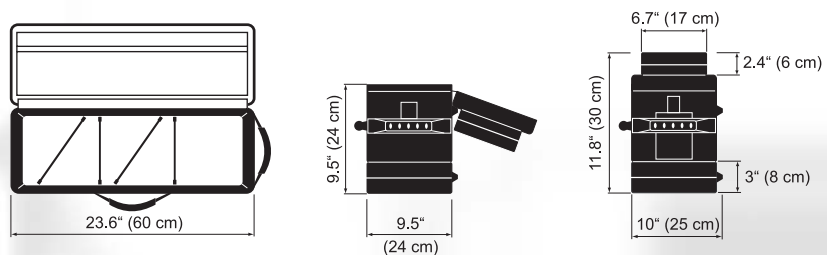


DCPAR – Heavy duty transport case. High impact, polyethylene molded case for DedoPAR light head with direct/soft attachment and accessories.
 Weight: 6.0 kg (13.2 lb.)
 Size: 58 x 43 x 29 cm (22.8 x 17 x 11.4")

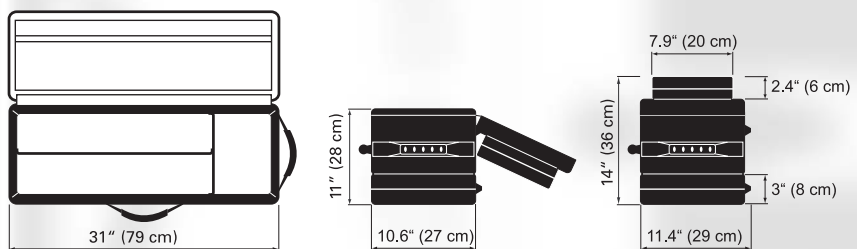


Dedolight soft cases are extremely robust and offer excellent protection of the equipment even when used as checked baggage during airline transport (one of the ultimate tests of ruggedness). Especially useful for mobile teams.

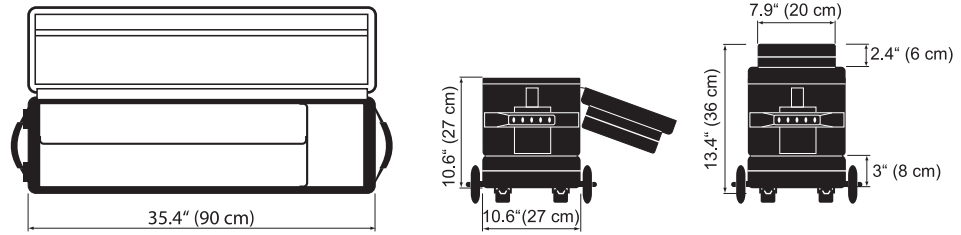
DSC1 – Soft case, small.
 Weight: 3 kg (6.6 lb.)
 Size: 60 x 25.5 x 30 cm (23.6 x 10 x 11.8")



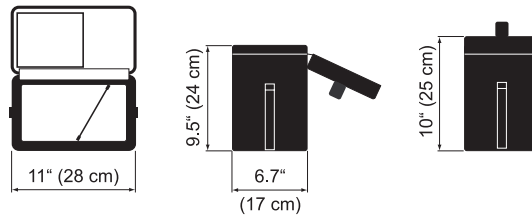
DSC2 – Soft case, large.
 Weight: 3.8 kg (8.4 lb.)
 Size: 75 x 29 x 32 cm (29.5 x 11.4 x 12.6")



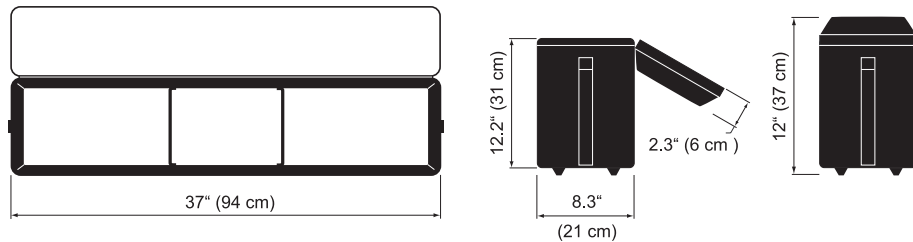
DSCXLW – Extra large soft case with dividers and wheels.
 Will hold “Interviewer” kit and extra equipment.
 Weight: 5.8 kg (12.8 lb.)
 Size: 90 x 27 x 36 cm (35.4 x 10.6 x 13.4”)



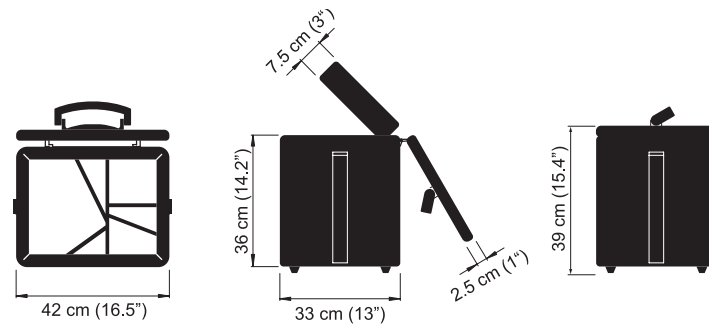
DSCM – Soft case for a single classic series light head, power supply and imager.
 Weight: 786 g (1.7 lb.)
 Size: 28 x 17 x 25 cm (11 x 6.7 x 10”)



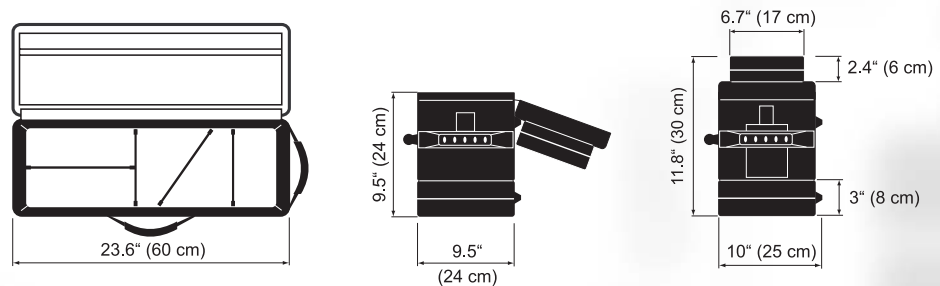
DSCOCT – Soft case for Octodome kit.
 Weight: 2.6 kg (5.7 lb.)
 Size : 94 x 21 x 37 cm (37 x 8.3 x 12”)



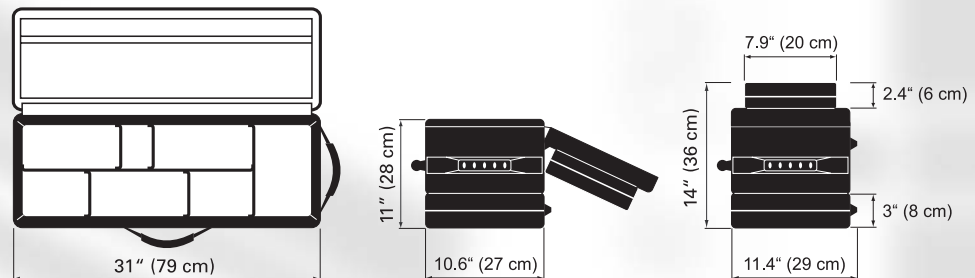
DSC400 – Soft case for DLH400D and DEB400D electronic ballast.
 Weight: 4.2 kg (9.3”)
 Size: 42 x 33 x 39 cm (16.5 x 13 x 15.4”)



DSC1-200 - Soft case for S200-2 Sundance kit.
 Weight: 3 kg (6.6 lb.)
 Size: 60 x 25.5 x 30 cm (23.6 x 10 x 11.8”)



DSC2-200 - Soft case for S200-3 Sundance kit.
 Weight: 3.8 kg (8.4 lb.)
 Size: 75 x 29 x 32 cm (29.5 x 11.4 x 12.6”)



DEDOLIGHT KITS

Soft Case Kits

- Mainly intended for mobile crews
- Compact, sturdy, lightweight, versatile

The soft case kits offer half the weight and less than half the size of most traditional travel kits from other manufacturers.

Light output is comparable to much larger traditional instruments but offer a higher degree of control, efficiency and versatility with significantly lower power consumption.

Each kit contains a soft light source for soft key lighting and several high precision focusing dimmable Dedolights.

Interior and exterior applications require the need for versatility of powering from mains as well as from a battery. The DLH4 light head and the DLH1x150S soft light can be powered from mains with the appropriate DT24-1 dimmable power supply. The attachment of an adapter cable will allow them to operate with a battery belt, on-board battery or the cigarette lighter of a car.

The DLHM4-300 lights are even more compact, quicker to set up and contain a built in dimmable power supply. This fixture is designed for mains power only.

The DT24-1 in-line dimmable power supplies are available in three mains powered versions.

E	– (Europe)	230/240 V AC
U	– (USA)	117 V AC
J	– (Japan)	100 V AC

The DLHM4 – 300 dimmable light heads are available in four mains powered versions:

E	– (Europe)	230 V AC
E+	– (Australia)	240 V AC
U	– (USA)	117 V AC
J	– (Japan)	100 V AC

Mains powered soft lights may be used with lamps of the required voltage. Depending on your desire to accomplish more refined and elaborate lighting setups, each kit is offered in three versions. Basic, standard and master kits. Most standard and master kits include one Imager projection attachment which can be used for highly defined light shapes or for gobo projections on otherwise dull backgrounds.

Dedolight soft cases are extremely robust and offer excellent protection of the equipment even if used as checked baggage during airline transport (one of the ultimate tests of ruggedness).

Hard Case Kits

- Designed for all lighting applications
- Compact, sturdy, lightweight, versatile

These portable kits are compact, sturdy, lightweight and versatile. Smaller in size and weight than most traditional lighting kits.

Light output is comparable to much larger traditional instruments but offer a higher degree of control, efficiency and versatility with significantly lower power consumption.

Interior and exterior applications require the need for versatility of powering from mains as well as from a battery. The K12 and K24 kits supply power to three (150 W) or four (100 W) DLH4 light heads from a single master power supply. Input voltage is switchable from 100 – 255 V AC in five volt steps for world wide use. A voltage indicator allows the precise setting of the power supply to match actual voltage levels in different locations and compensate for voltage drops in long supply lines. This guarantees exact color temperature in calibrated steps.

Our hard transport cases are heavy duty, yet lightweight to safely transport and store all Dedolight equipment. They feature custom interiors and are moulded of shock resistant, high density polyethylene to withstand long distance travel and unpredictable handling.

		kit code	K400DB	K400DS	S400D		K436	K3x650B	K3x650S		K3x400DB	K3x400DS
code	description											
DLH400D	Light head 400/575 W daylight		1	1	1						3	3
DLH650	Light head 650 W tungsten							3	3			
DLH436	Light head 400 W 36 V tungsten						1					
DEB400D	Electronic ballast		1	1	1						3	3
DPOW400D	Light head cable		1	1	1						3	3
DEB400H	Ballast holder with clamp			1	1							3
DT36-1	Power supply 36 V						1					
DPOW436	Light head cable						1					
DFH400	Filter holder		1	1	1		1	3	3		3	3
DBD400	Barn door		1	1	1		1	3	3		3	3
DPLS400	Light shield ring		1	1	1		1	3	3		3	3
DGRADF400-06	Graduated glass filter			1					2			2
DSCK400	Scrim kit		1	1	1		1	3	3		3	3
DSCP400	Scrim pouch		1	1	1		1	3	3		3	
DL400HR	Lamp 400 W daylight		1	1	1						3	3
DL650T27	Lamp 650 W tungsten							5	5			
36DL400LL	Lamp 400 W/36 V tungsten						2					
DST400	Stand								3			3
DSCST	Stand bag								1			1
DCHD 400	Hard case 400/436		1	1			1					
DSC400	Soft case 400				1							
DCHD3 x 6	Hard case 3 x 650							1	1			
DCHD3 x 4	Hard case 3 x 400										1	1



HARD CASE/SOFT CASE DAYLIGHT



K400DB Basic 400/575 W Daylight Kit

- 1 DLH400D Light head 400/575 W daylight
- 1 DEB400D Electronic Ballast
400/575 W daylight
- 1 DPOW400D Light head cable
- 1 DFH400 Filter holder
- 1 DBD400 Barn door
- 1 DPLS400 Light shield ring
- 1 DSCK400 Scrim kit
- 1 DSCP400 Scrim pouch
- 1 DL400HR Daylight lamp 400 W, blackened
- 1 DCHD400 Hard case

Weight: 14.9 kg (32.9 lb.)

Size: 57 x 43 x 26 cm (22.5 x 17 x 10")



K400DS Standard 400/575 W Daylight Kit

(items in bold are in addition to basic kit)

- 1 DLH400D Light head 400/575 W daylight
- 1 DEB400D Electronic Ballast
400/575 W daylight
- 1 DPOW400D Light head cable
- 1 DFH400 Filter holder
- 1 DBD400 Barn door
- 1 DPLS400 Light shield ring
- 1 **DEB400H Ballast mounting bracket
with clamp**
- 1 **DGRADF400-06 Graduated glass filter**
- 1 DSCK400 Scrim kit
- 1 DSCP400 Scrim pouch
- 1 DL400HR Daylight lamp 400W, blackened
- 1 DCHD400 Hard case

Weight: 15.3 kg (33.6 lb.)

Size: 57 x 43 x 24 cm (22.5 x 17 x 10")



S400D Standard 400/575 W Daylight Kit

- 1 DLH400D Light head 400/575 W daylight
- 1 DEB400D Electronic Ballast
400/575 W daylight
- 1 DPOW400D Light head cable
- 1 DFH400 Filter holder
- 1 DBD400 Barn door
- 1 DPLS400 Light shield ring
- 1 DEB400H Ballast mounting bracket
with clamp
- 1 DSCK400 Scrim kit
- 1 DSCP400 Scrim pouch
- 1 DL400HR Daylight lamp 400 W, blackened
- 1 DSC400 Soft case

Weight: 13.2 kg (29.1 lb.)

Size: 42 x 33 x 40.5 cm (16.5 x 13 x 16")





K436 Standard 400 W/36 V Tungsten Kit

1	DLH436	Light head 400 W
1	DT36-1	Ballast
1	DPOW436	Light head cable
1	DFH400	Filter holder
1	DBD400	Barn door
1	DPLS400	Light shield ring
1	DSCK400	Scrim kit
1	DSCP400	Scrim pouch
2	36DL400LL	Lamp 400 W 36 V
1	DCHD400	Hard case

Weight: 16.7 kg (36.8 lb.)

Size: 57 x 43 x 26 cm (22.5 x 17 x 10")



K3x650B Basic 650 W Tungsten Kit

3	DLH650	Light head 650 W
3	DFH400	Filter holder
3	DBD400	Barn door
3	DPLS400	Light shield ring
3	DSCK400	Scrim kit
3	DSCP400	Scrim pouch
5	DL650T27	Lamp 650 W
1	DCHD3 x 6	Hard case

Weight: 24.3 kg (53.6 lb.)

Size: 105 x 53 x 31 cm (41.3 x 21 x 12.3")



K3x650S Standard 650 W Tungsten Kit

(items in bold are in addition to basic kit)

3	DLH650	Light head 650 W
3	DFH400	Filter holder
3	DBD400	Barn door
3	DPLS400	Light shield ring
2	DGRADF400-06	Graduated glass filter
3	DSCK400	Scrim kit
3	DSCP400	Scrim pouch
3	DST400	Stand
1	DSCST	Stand bag
5	DL650T27	Lamp 650 W
1	DCHD3 x 6	Hard case

Weight: 31.4 kg (69.2 lb.)

Size: 105 x 53 x 31 cm (41.3 x 21 x 12.3")



HARD CASE DAYLIGHT



K3x400DB Basic 400/575 W Daylight Kit

- 3 DLH400D Light head 400/575 W daylight
- 3 DEB400D Electronic Ballast
400/575 W daylight
- 3 DPOW400D Light head cable
- 3 DFH400 Filter holder
- 3 DBD400 Barn door
- 3 DPLS400 Light shield ring
- 3 DSCK400 Scrim kit
- 3 DSCP400 Scrim pouch
- 3 DL400HR Daylight lamp 400 W, blackened
- 1 DCHD3x4 Hard case

Weight: 39.8 kg (87.4 lb.)

Size: 105 x 53 x 31 cm (41.3 x 21 x 12.3")



K3x400DS Standard 400/575 W Daylight Kit

(items in bold are in addition to basic kit)

- 3 DLH400D Light head 400/575 W daylight
- 3 DEB400D Electronic Ballast
400/575 W daylight
- 3 DPOW400D Light head cable
- 3 **DEB400H Ballast mounting bracket
with clamp**
- 3 DFH400 Filter holder
- 3 DBD400 Barn door
- 3 DPLS400 Light shield ring
- 2 **DGRADF400-06 Graduated glass filter**
- 3 DSCK400 Scrim kit
- 3 DSCP400 Scrim pouch
- 3 **DST400 Stand**
- 1 **DSCST Stand bag**
- 3 DL400HR Daylight lamp 400 W, blackened
- 1 DCHD3x4 Hard case

Weight: 47.8 kg (105.4 lb.)

Size: 105 x 53 x 31 cm (41.3 x 21 x 12.3")





DSOCTD Octodome Daylight Kit

- 1 DLH400S Soft light head
400/575 W daylight
- 1 DL400HR Daylight lamp 400/575 W clear
- 1 DEB400D Electronic Ballast
400/575 W daylight
- 1 DPOW400D Light head cable
- 1 DEB400H Ballast mounting bracket
with clamp
- 1 DSB0CT Octodome
- 1 DST400S Stand
- 1 DSCOCT Soft case

Weight: 12.5 kg (27.3 lb.)

Size: 94 x 34 x 20 cm (37 x 13.4 x 7.9 ")

DSOCTT Octodome Tungsten Kit

- 1 DLH1000SPPLUS 1000 W Halogen
soft light head with 7 m cable
- 1 DL1000FEP Lamp 230 V/1000 W
or DL1000FEL 120 V/1000 W
please specify voltage
- 1 DSB0CT Octodome
- 1 DST400S Stand
- 1 DSCOCT Soft case

Weight: 8.5 kg (18.6 lb.)

Size: 94 x 34 x 20 cm (37 x 13.4 x 7.9 ")



DSOCTDT Octodome Daylight/Tungsten Kit

- 1 DLH400S Soft light head
400/575 W daylight
- 1 DL400HR Daylight lamp 400/575 W clear
- 1 DLH1000SPPLUS Halogen soft light head
with 7m cable
- 1 DL1000FEP Lamp 230 V/1000 W
or DL1000FEL 120 V/1000 W
please specify voltage
- 1 DEB400D Electronic Ballast
400/575 W daylight
- 1 DPOW400D Light head cable
- 1 DEB400H Ballast mounting bracket
with clamp
- 1 DSB0CT Octodome
- 1 DST400S Stand
- 1 DSCOCT Soft case

Weight: 13.8 kg (30 lb.)

Size: 94 x 34 x 20 cm (37 x 13.4 x 7.9 ")

HARD CASE IMAGER 400



KDP400KU Imager Kit

- | | | |
|---|-----------|--|
| 1 | DP400CON | Condenser |
| 1 | DP400U | Universal receptacle for gobo holder, shutter leaves or iris |
| 1 | DP400LH | Lens holder barrel |
| 1 | DP400-185 | Lens 185 mm |
| 1 | DP400GH | Gobo holder |
| 1 | DCDP400 | Hard case |

Weight: 5.9 kg (13 lb.)

Size: 46.5 x 35 x 25 cm (18.3 x 13.8 x 10 ")



KDP400KFS Imager Kit

- | | | |
|---|-----------|---|
| 1 | DP400CON | Condenser |
| 1 | DP400FS | Framing shutter module with built in shutter leaves |
| 1 | DP400LH | Lens holder barrel |
| 1 | DP400-185 | Lens 185 mm |
| 1 | DCDP400 | Hard case |

Weight: 6.3 kg (13.9 lb.)

Size: 46.5 x 35 x 25 cm (18.3 x 13.8 x 10 ")



HARD CASE DEDOPAR AND DEDOCOOL



KPAR DedoPAR 400/575 W Daylight Kit

1	DPAR	DedoPAR light head with reflector
1	DPAR-S	Direct/soft attachment
1	DLSR-8	Speed ring for soft boxes with 4 or 8 rods
1	DSBSM	Dedoflex silver dome, medium
1	DPARBD	Barn door
1	DPARD1	Spread lens, flood
1	DPARD2	Spread lens, spot
1	DPARD3	Spread lens, medium
1	DEB400D	Electronic Ballast 400/575 W daylight
1	DPOW400D	Light head cable
1	DL400HR	Daylight Lamp 400 W, clear
1	DCPAR	Hard case

Weight: 14.9 kg (32.9 lb.)

Size: 58 x 42 x 29 cm (22.8 x 17 x 11.4 ")

KPAR-1 DedoPAR 400/575W Daylight Kit

1	DPAR	DedoPAR light head with reflector
1	DPARBD	Barn door
1	DPARD1	Spread lens, flood
1	DPARD2	Spread lens, spot
1	DPARD3	Spread lens, medium
1	DEB400D	Electronic Ballast 400/575 W daylight
1	DPOW400D	Light head cable
1	DL400HR	Daylight Lamp 400 W, clear
1	DCPAR	Hard case

Weight: 14 kg (30.9 lb.)

Size: 58 x 42 x 29 cm (22.8 x 17 x 11.4 ")



COOLSET Dedocool Cool Light Kit

2	COOLH	Dedocool light head
1	COOLT3	Transformer with mains cable
2	DBD8	Barn door
2	DST	Stand
4	COOLAMP	Lamp 24 V 250 W
1	DCHDCOOL	Hard case

Weight: 17.4 kg (38.4 lb.)

Size: 57 x 43 x 26 cm (22.5 x 17 x 10 ")

SUNDANCE KITS

Sundance Kits

Unique versatility for the demanding team on the move.
Converts from daylight to tungsten operation:

- The DLH200D daylight focusing light head can be changed to tungsten balance by either installing a DTFC tungsten conversion filter or by changing to the DL200THR ceramic lamp.
- The DLH200S daylight soft light can be quickly and easily changed to tungsten balance by installing the DL200THR ceramic lamp.

The unique DL200THR ceramic 3200 K lamp, operates with the same DEB200D flicker free ballast as used with the daylight balanced lamp.

		kit code	K200-1	K200-3		S200-2	S200-2M	S200-3
code	description							
DLH200D	Light head		1	2		1	1	2
DBD8	Barn door		1	2		1	1	2
DPLS	Light shield ring		1	2		1	1	2
DFH	Filter holder							
DTFC	Tungsten conv. filter			2		1	1	2
DL200DHR	Lamp day		1	2		1	1	2
DLH200S	Light head			1		1	1	1
DSBSS	Silver dome, small			1		1		
DLGRIDS	Grid, small							
DSBWS	White dome, small							
DSBSM	Silver dome, medium						1	1
DLGRIDM	Grid, medium							
DSBWM	White dome, medium							
DL200DHR	Lamp day clear			1		1	1	1
DL200THR	Lamp 3200 K tungsten			1		1	1	1
DEB200D	Ballast / cables		1	3		2	2	3
DEB200H	Holder with clamp							
DST	Stand			3		2	2	3
DEB200BAT	Ballast f. ext. BAT							
DEB200BATAB	Ballast f. Anton /Bauer							
DEB200BATPAG	Ballast f. PAG BAT							
DCHD200-1	Hard case		1					
DCHD200-3	Hard case			1				
DSC1-200	Soft case					1		
DSC2-200	Soft case						1	1





K200-1 Sundance Kit Daylight/Tungsten

- 1 DLH200D Light head 200 W daylight
- 1 DEB200D Electronic Ballast 200 W daylight
- 1 DPOW200D Light head cable
- 1 DBD8 Barn door
- 1 DPLS Light shield ring
- 1 DL200DHR Daylight lamp 200 W blackened
- 1 DCHD200-1 Hard case

Weight: 6.1 kg (13.5 lb.)

Size: 46 x 33 x 22 cm (18 x 13 x 8.6")



K200-3 Sundance Kit Daylight/Tungsten

- 2 DLH200D Light head 200 W daylight
- 1 DLH200S Soft light head 200 W daylight
- 3 DEB200D Electronic Ballast 200 W daylight
- 3 DPOW200D Light head cable
- 1 DSBSS Silver dome small
- 2 DBD8 Barn door
- 2 DPLS Light shield ring
- 2 DTCF Tungsten conversion filter
- 2 DL200DHR Daylight lamp 200 W blackened
- 1 DL200THR Ceramic tungsten Lamp 200 W
- 1 DL200DHR Daylight lamp 200 W, clear
- 3 DST Stand
- 1 DCHD200-3 Hard case

Weight: 18.3 kg (40.3 lb.)

Size: 58 x 43 x 29 cm (22.8 x 17 x 11.4 ")



SOFT CASE SUNDANCE



S200-2 Sundance Kit Daylight/Tungsten

- 1 DLH200D Light head 200 W daylight
- 1 DLH200S Soft light head 200 W daylight
- 2 DEB200D Electronic ballast 200 W daylight
- 2 DPOW200D Light head cable
- 1 DSBSS Silver dome small
- 1 DBD8 Barn door
- 1 DPLS Light shield ring
- 1 DTCF Tungsten conversion filter
- 1 DL200DHR Daylight lamp 200 W blackened
- 1 DL200THR Ceramic tungsten lamp 200 W
- 1 DL200DHR Daylight lamp 200 W, clear
- 2 DST Stand
- 1 DSC1-200 Soft case

Weight: 10.0 kg (22.0 lb)

Size: 60 x 24 x 25.5 cm (23.6 x 9.5 x 10 ")

S200-2M Sundance Kit Daylight/Tungsten

- 1 DLH200D Light head 200 W daylight
- 1 DLH200S Soft light head 200 W daylight
- 2 DEB200D Electronic ballast 200 W daylight
- 2 DPOW200D Light head cable
- 1 DSBSM Silver dome, medium
- 1 DBD8 Barn door
- 1 DPLS Light shield ring
- 1 DTCF Tungsten conversion filter
- 1 DL200DHR Daylight lamp 200 W blackened
- 1 DL200THR Ceramic tungsten lamp 200 W
- 1 DL200DHR Daylight lamp 200 W, clear
- 2 DST Stand
- 1 DSC2-200 Soft case

Weight: 10.5 kg (23.2 lb.)

Size: 75 x 27 x 29 cm (29.5 x 10.6 x 11.4 ")

S200-3 Sundance Kit Daylight/Tungsten

- 2 DLH200D Light head 200 W daylight
- 1 DLH200S Soft light head 200 W daylight
- 3 DEB200D Electronic ballast 200 W daylight
- 3 DPOW200D Light head cable
- 1 DSBSM Silver dome, medium
- 2 DBD8 Barn door
- 2 DPLS Light shield ring
- 2 DTCF Tungsten conversion filter
- 2 DL200DHR Daylight lamp 200 W blackened
- 1 DL200THR Ceramic tungsten lamp 200 W
- 1 DL200DHR Daylight lamp 200 W, clear
- 3 DST Stand
- 1 DSC2-200 Soft case

Weight: 13.9 kg (30.6 lb.)

Size: 75 x 27 x 29 cm (29.5 x 10.6 x 11.4 ")



HARD CASE TUNGSTEN CLASSIC

	kit code	K12B	K12S	K12M		K24B	K24S	K24M		KAC24B	KAC24S	KAC24M		KA1B	KA1S	KA1M		KA24B	KA24S	KA24M		KA244B	KA244M
code	description																						
DLH4	Light head	4	4	4		3	3	3						4	4	4		3	3	3		4	4
DLHM4300	Light head w. transf.									4	4	4											
DIMTA3	12 V in-line P. S. 230/240V													4	4	4							
DT24-1	24 V in-line P. S.																	3	3	3		4	4
DT12-4	12 V 4 output	1	1	1																			
DT24-3	24 V 3 output					1	1	1															
DPOW3	Cable DLH4	4	6	6		3	6	6															
DXBAT4-3	Battery cable	1	1	1																			
DCAR3	Cigarette lighter adapter		1	1																			
DBD8	Barn door	4	4	4		3	3	3		4	4	4		4	4	4		3	3	3		4	4
DPLS	Light shield ring		2	4			2	3			2	4							2	3		4	4
DDCF	Daylight conversion			4			3	3			4	4							3	3			
DSCK	Scrim kit							1				1											
DSCP	Scrim pouch							1				1											
DGRADF06	Graduated glass filter							1				1								1			
DFH	Filter holder		4	4			3	3			4	4			4	4			3	4		4	4
DGMB	Gel, mixed blue		1	1											1	1							
DGMD	Gel, mixed diffusion		1	1			1	1			1	1			1	1			1	1			
DGW	Gel, warm tone			1				1				1				1				1			
DP1	Projection attachment							1			1	1			1	1			1	1			1
DPGH	Gobo holder							1			1	1			1	1			1	1			1
DPFS	Framing shutter blades							1			1	1			1	1			1	1			1
DPIR	Iris							1			1	1			1	1			1	1			1
DST	Stand	4	4	4		3	3	3		4	4	4		4	4	4		3	3	3		4	4
DSTFX	Stand extension		1	2			1	2			1	2			1	2			1	2		1	1
DH2	Wallholder	1	2	2			2	2		1	2	2		1	2	2		1	2	2		1	1
CLAMP1	Clamp	1	2	2			1	2		1	2	2		1	1	2		1	2	2		1	2
DV6B	Suction mount		1	1			1	1				1				1				1			
DL150	24 V 150 W lamp					6	6	10		6	8	10						6	8	10		8	8
DL100	12 V 100 W lamp	6	8	10										6	8	10							
DL50	12 V 50 W lamp		2	4																			
DL20	12 V 20 W lamp		2	4																			
DLBOX	Plastic box	1	2	3		1	2	3		1	3	3		1	2	3		1	2	2		2	2
DCHD	Hard case	1	1	1		1	1	1															
DCHDM4	Hard case									1	1	1		1	1	1							
DCHDKA1	Hard case																	1	1	1		1	1



HARD CASE TUNGSTEN CLASSIC

K12 100 W 12 V Tungsten Kits

One DT12-4 master control unit operates four DLH4 light heads with 12 V/100 W lamps. Input voltage on the control unit can be adjusted from 100 to 255 V AC. Color temperature and intensity is switchable in three calibrated steps for each light head.

K12B Basic 100 W 12 V Tungsten Kit

4	DLH4	Light head Aspherics ²
1	DT12-4	Power supply 4 x 10 – 12 V
4	DPOW3	Light head cable
1	DXBAT4-3	Battery cable
4	DBD8	Barn door
4	DST	Stand
1	DH2	Wallholder
1	CLAMP1	Clamp
6	DL100	Halogen lamp 12 V/100 W
1	DLBOX	Plastic box
1	DCHD	Transport hard case

Weight: 20.2 kg (44.5 lb)

Size: 57 x 43 x 26 cm (22.5 x 17 x 10.25 ")

K12S Standard 100 W 12 V Tungsten Kit

(items in bold are in addition to basic kit)

4	DLH4	Light head Aspherics ²
1	DT12-4	Power supply 4 x 10 - 12 V
6	DPOW3	Light head cable
1	DXBAT4-3	Battery cable
1	DCAR3	Cigarette lighter adapter
4	DBD8	Barn door
2	DPLS	Light shield ring
4	DFH	Filter holder
1	DGMD	Gel filter set – Mixed diffusion
1	DGMB	Gel filter set – Mixed blue
4	DST	Stand
1	DSTFX	Flexible stand extension
2	DH2	Wallholder
2	CLAMP1	Clamp
1	DV6B	Vacuum mount
8	DL100	Halogen lamp 12 V/100 W
2	DL50	Halogen lamp 12 V/ 50 W
2	DL20	Halogen lamp 12 V/ 20 W
2	DLBOX	Plastic box
1	DCHD	Transport hard case

Weight: 22.3 kg (49.1 lb)

Size: 57 x 43 x 26 cm (22.5 x 17 x 10.25 ")

K12M Master 100 W 12 V Tungsten Kit

(items in bold are in addition to standard kit)

4	DLH4	Light head Aspherics ²
1	DT12-4	Power supply 4 x 10 – 12 V
6	DPOW3	Light head cable
1	DXBAT4-3	Battery cable
1	DCAR3	Cigarette lighter adapter
4	DBD8	Barn door
4	DPLS	Light shield ring
4	DDCF	Dichroic Daylight conversion filter
4	DFH	Filter holder
1	DGMB	Gel filter set – Mixed blue
1	DGMD	Gel filter set – Mixed diffusion
1	DGW	Gel filter set – Warm tone
4	DST	Stand
2	DSTFX	Flexible stand extension
2	DH2	Wallholder
2	CLAMP1	Clamp
1	DV6B	Vacuum mount
10	DL100	Halogen lamp 12 V/100 W
4	DL50	Halogen lamp 12 V/ 50 W
4	DL20	Halogen lamp 12 V/ 20 W
3	DLBOX	Plastic box
1	DCHD	Transport hard case

Weight: 22.6 kg (49.8 lb)

Size: 57 x 43 x 26 cm (22.5 x 17 x 10.25 ")



K 24 150 W 24 V Tungsten Kits

One DT24-3 master control unit operates three DLH4 light heads with 24 V/150 W lamps. Input voltage on the control unit can be adjusted from 100 to 255 V AC. Color temperature and intensity is switchable in three calibrated steps for each light head.

K24B Basic 150 W 24 V Tungsten Kit

3	DLH4	Light head Aspherics ²
1	DT24-3	Power supply 3 x 17.4–24.5 V
3	DPOW3	Light head cable
3	DBD8	Barn door
3	DST	Stand
6	DL150	Halogen lamp 24 V/150 W
1	DLBOX	Plastic box
1	DCHD	Transport hard case

Weight: 17.3 kg (38.4 lb.)

Size: 57 x 43 x 26 cm (22.5 x 17 x 10.25")

K24S Standard 150 W 24 V Tungsten Kit

(items in bold are in addition to basic kit)

3	DLH4	Light head Aspherics ²
1	DT24-3	Power supply 3 x 17.4–24.5 V
6	DPOW3	Light head cable
3	DBD8	Barn door
2	DPLS	Light shield ring
3	DDCF	Dichroic daylight conversion filter
3	DFH	Filter holder
1	DGMD	Gel filter set - Mixed diffusion
3	DST	Stand
1	DSTFX	Flexible stand extension
2	DH2	Wallholder
1	CLAMP1	Clamp
1	DV6B	Vacuum mount
6	DL150	Halogen lamp 24 V/150 W
2	DLBOX	Plastic box
1	DCHD	Transport hard case

Weight: 20.0 kg (44.0 lb.)

Size: 57 x 43 x 26 cm (22.5 x 17 x 10.25")

K24M Master 150 W 24 V Tungsten Kit

(items in bold are in addition to standard kit)

3	DLH4	Light head Aspherics ²
1	DT24-3	Power supply 3 x 17.4–24.5 V
6	DPOW3	Light head cable
3	DBD8	Barn door
3	DPLS	Light shield ring
3	DDCF	Dichroic daylight conversion filter
1	DSCK	Scrim kit
1	DSCP	Scrim pouch
1	DGRADF06	Graduated glass filter
3	DFH	Filter holder
1	DGW	Gel filter set – Warm tone
1	DGMD	Gel filter set – Mixed diffusion
1	DP1	Projection attachment
1	DPGH	Gobo holder
1	DPFS	Framing shutter blades
1	DPIR	Iris
3	DST	Stand
2	DSTFX	Flexible stand extension
2	DH2	Wallholder
2	CLAMP1	Clamp
1	DV6B	Vacuum mount
10	DL150	Halogen lamp 24 V/150 W
3	DLBOX	Plastic box
1	DCHD	Transport hard case

Weight: 21.0 kg (46.3 lb.)

Size: 57 x 43 x 26 cm (22.5 x 17 x 10.25")



HARD CASE TUNGSTEN CLASSIC

KAC24 150 W 24 V Tungsten Kits

Four DLHM4-300 light heads with integrated, dimmable, electronic transformers work with 24 V/150 W lamps. The DLHM4-300 light heads are available in four different mains voltage versions:

- for 230 V AC, add suffix "E"
- for 240 V AC, add suffix "E+"
- for 117 V AC, add suffix "U"
- for 100 V AC, add suffix "J"

KAC24B Basic 150 W 24 V Tungsten Kit

- | | | |
|---|-----------|---|
| 4 | DLHM4-300 | Light head Aspherics ² with built-in dimmable power supply |
| 4 | DBD8 | Barn door |
| 4 | DST | Stand |
| 1 | DH2 | Wallholder |
| 1 | CLAMP1 | Clamp |
| 6 | DL150 | Halogen lamp 24 V/150 W |
| 1 | DLBOX | Plastic box |
| 1 | DCHDM4 | Transport hard case |

Weight: 14.7 kg (32.4 lb.)

Size: 57 x 43 x 22 cm (22.5 x 17 x 8.75 ")

KAC24S Standard 150 W 24 V Tungsten Kit

(items in bold are in addition to basic kit)

- | | | |
|----------|---------------|---|
| 4 | DLHM4-300 | Light head Aspherics ² with built-in dimmable power supply |
| 4 | DBD8 | Barn door |
| 2 | DPLS | Light shield ring |
| 4 | DDCF | Dichroic daylight conversion filter |
| 4 | DFH | Filter holder |
| 1 | DGMD | Gel filter set - Mixed diffusion |
| 1 | DP1 | Projection attachment |
| 1 | DPGH | Gobo holder |
| 1 | DPFS | Framing shutter blade |
| 1 | DPIR | Iris |
| 4 | DST | Stand |
| 1 | DSTFX | Flexible stand extension |
| 2 | DH2 | Wallholder |
| 2 | CLAMP1 | Clamp |
| 8 | DL150 | Halogen lamp 24V/150W |
| 3 | DLBOX | Plastic box |
| 1 | DCHDM4 | Transport hard case |

Weight: 15.8 kg (34.9 lb.)

Size: 57 x 43 x 22 cm (22.5 x 17 x 8.75 ")

KAC24M Master 150 W 24 V Tungsten Kit

(items in bold are in addition to standard kit)

- | | | |
|-----------|-----------------|---|
| 4 | DLHM4-300 | Light head Aspherics ² with built-in dimmable power supply |
| 4 | DBD8 | Barn door |
| 4 | DPLS | Light shield ring |
| 4 | DDCF | Dichroic daylight conversion filter |
| 1 | DSCK | Scrim kit |
| 1 | DSCP | Scrim pouch |
| 1 | DGRADF06 | Graduated glass filter |
| 4 | DFH | Filter holder |
| 1 | DGMD | Gel filter set - Mixed diffusion |
| 1 | DGW | Gel filter set - Warm tone |
| 1 | DP1 | Projection attachment |
| 1 | DPGH | Gobo holder |
| 1 | DPFS | Framing shutter blade |
| 1 | DPIR | Iris |
| 4 | DST | Stand |
| 2 | DSTFX | Flexible stand extension |
| 2 | DH2 | Wallholder |
| 2 | CLAMP1 | Clamp |
| 1 | DV6B | Vacuum mount |
| 10 | DL150 | Halogen lamp 24 V/150 W |
| 3 | DLBOX | Plastic box |
| 1 | DCHDM4 | Transport hard case |

Weight: 16.8 kg (37.0 lb.)

Size: 57 x 43 x 22 cm (22.5 x 17 x 8.75 ")



KA1 100 W 12 V Tungsten Kits 230/240 V AC

Four DLH4 light heads work with dimmable, in-line, electronic DIMTA3 power supplies and 12 V/100 W DL100 lamps.

KA1B Basic 100 W Tungsten Kit 230/240 V AC

4	DLH4	Light head Aspherics ²
4	DIMTA3	Dimmable electronic power supply 12 V 230 V AC
4	DBD8	Barn door
4	DST	Stand
1	DH2	Wallholder
1	CLAMP1	Clamp
6	DL100	Halogen lamp 12 V/100 W
1	DLBOX	Plastic box
1	DCHDM4	Transport hard case

Weight: 10.8 kg (23.8 lb.)

Size: 57 x 43 x 22 cm (22.4 x x 16.9 x 8.7 ")

KA1S Standard 100 W Tungsten Kit 230/240 V AC

(items in bold are in addition to basic kit)

4	DLH4	Light head Aspherics ²
4	DIMTA3	Dimmable electronic power supply 12 V/230 V AC
4	DBD8	Barn door
4	DFH	Filter holder
1	DGMB	Gel filter set – Mixed blue
1	DGMD	Gel filter set – Mixed diffusion
1	DP1	Projection attachment
1	DPGH	Gobo holder
1	DPFS	Framing shutter blades
1	DPIR	Iris
4	DST	Stand
1	DSTFX	Flexible stand extension
2	DH2	Wallholder
1	CLAMP1	Clamp
8	DL100	Halogen lamp 12 V/100 W
2	DLBOX	Plastic box
1	DCHDM4	Transport hard case

Weight: 11.7 kg (25.7 lb.)

Size: 57 x 43 x 22 cm (22.4 x x 16.9 x 8.7 ")

KA1M Master 100 W Tungsten Kit 230/240 V AC

(items in bold are in addition to standard kit)

4	DLH4	Light head Aspherics ²
4	DIMTA3	Dimmable electronic power supply 12 V 230 V AC
4	DBD8	Barn door
4	DFH	Filter holder
1	DGMB	Gel filter set – Mixed blue
1	DGMD	Gel filter set – Mixed diffusion
1	DGW	Gel filter set – Warm tone
1	DP1	Projection attachment
1	DPGH	Gobo holder
1	DPFS	Framing shutter blades
1	DPIR	Iris
4	DST	Stand
2	DSTFX	Flexible stand extension
2	DH2	Wallholder
2	CLAMP1	Clamp
1	DV6B	Vacuum mount
10	DL100	Halogen lamp 12 V/100 W
3	DLBOX	Plastic box
1	DCHDM4	Transport hard case

Weight: 12.5 kg (27.4 lb.)

Size: 57 x 43 x 22 cm (22.4 x x 16.9 x 8.7 ")



HARD CASE TUNGSTEN CLASSIC

KA24 150 W 24 V Tungsten Kits

Three DLH4 light heads work with in-line, dimmable DT24-1 power supplies to be used with 24 V/150 W DL150 lamps.

The DT24-1 in-line power supplies are available for three different mains voltages.

Europe – 230/240 V AC, add suffix “E”
 USA – 117 V AC, add suffix “U”
 Japan – 100 V AC, add suffix “J”

KA24B Basic 150 W 24 V Tungsten Kit

- 3 DLH4 Light head Aspherics²
- 3 DT24-1 Dimmable electronic power supply 24 V
- 3 DBD8 Barn door
- 3 DST Stand
- 1 DH2 Wallholder
- 1 CLAMP1 Clamp
- 6 DL150 Halogen lamp 24 V/150 W
- 1 DLBOX Plastic box
- 1 DCHDKA1 Transport hard case

Weight: 13.3 kg (29.3 lb.)

Size: 57 x 43 x 22 cm (22.5 x 17 x 8.75 ")

KA24S Standard 150 W 24 V Tungsten Kit

(items in bold are in addition to basic kit)

- 3 DLH4 Light head Aspherics²
- 3 DT24-1 Dimmable electronic power supply 24 V
- 3 DBD8 Barn door
- 2 DPLS Light shield ring**
- 3 DDCF Dichroic daylight conversion filter**
- 3 DFH Filter holder**
- 1 DGMD Gel filter set – Mixed diffusion**
- 1 DP1 Projection attachment**
- 1 DPGH Gobo holder**
- 1 DPFS Framing shutter blades**
- 1 DPIR Iris**
- 3 DST Stand
- 1 DSTFX Flexible stand extension**
- 2 DH2 Wallholder
- 2 CLAMP1 Clamp
- 8 DL150 Halogen lamp 24 V/150 W
- 2 DLBOX Plastic box
- 1 DCHDKA1 Transport hard case

Weight: 14.4 kg (31.7 lb.)

Size: 57 x 43 x 22 cm (22.5 x 17 x 8.75")

KA24M Master 150 W 24 V Tungsten Kit

(items in bold are in addition to standard kit)

- 3 DLH4 Light head Aspherics²
- 3 DT24-1 Dimmable electronic power supply 24 V
- 3 DBD8 Barn door
- 3 DPLS Light shield ring**
- 3 DDCF Dichroic daylight conversion filter
- 1 DGRADF06 Graduated glass filter**
- 4 DFH Filter holder
- 1 DGMD Gel filter set – Mixed diffusion
- 1 DGW Gelfilter set – Warm tone**
- 1 DP1 Projection attachment
- 1 DPGH Gobo holder
- 1 DPFS Framing shutter blades
- 1 DPIR Iris
- 3 DST Stand
- 2 DSTFX Flexible stand extension
- 2 DH2 Wallholder
- 2 CLAMP1 Clamp
- 1 DV6B Vacuum mount**
- 10 DL150 Halogen lamp 24 V/150 W**
- 2 DLBOX Plastic box
- 1 DCHDKA1 Transport hard case

Weight: 14.5 kg (32.1 lb.)

Size: 57 x 43 x 22 cm (22.5 x 17 x 8.75 ")



KA 24-4 Four Light 150 W 24 V Kits

These kits come with four DLH4 light heads and four in-line, dimmable DT24-1 power supplies to be used with 24 V/150 W DL150 lamps.

The DT24-1 in-line power supplies are available for three different mains voltages:

- Europe – 230/240 V AC, add suffix “E”
- USA – 117 V AC, add suffix “U”
- Japan – 100 V AC, add suffix “J”

KA24-4B Basic Four Light 150 W 24 V Kit

- | | | |
|---|---------|---------------------------------------|
| 4 | DLH4 | Light head Aspherics ² |
| 4 | DT24-1 | Dimmable electronic power supply 24 V |
| 4 | DBD8 | Barn door |
| 4 | DPLS | Light shield ring |
| 4 | DFH | Filter holder |
| 4 | DST | Stand |
| 1 | DSTFX | Flexible stand extension |
| 1 | DH2 | Wallholder |
| 1 | CLAMP1 | Clamp |
| 8 | DL150 | Halogen lamp 24 V/150 W |
| 2 | DLBOX | Plastic box |
| 1 | DCHDKA1 | Transport hard case |

Weight: 15.2 kg (33.4 lb.)

Size: 57 x 43 x 22 cm (22.5 x 17 x 8.75 ")

KA24-4M Master Four Light 150W 24V Kit

(items in bold are in addition to basic kit)

- | | | |
|----------|---------------|---------------------------------------|
| 4 | DLH4 | Light head Aspherics ² |
| 4 | DT24-1 | Dimmable electronic power supply 24 V |
| 4 | DBD8 | Barn door |
| 4 | DPLS | Light shield ring |
| 4 | DFH | Filter holder |
| 1 | DP1 | Projection attachment |
| 1 | DPGH | Gobo holder |
| 1 | DPFS | Framing shutter blades |
| 1 | DPIR | Iris |
| 4 | DST | Stand |
| 1 | DSTFX | Flexible stand extension |
| 1 | DH2 | Wallholder |
| 2 | CLAMP1 | Clamp |
| 8 | DL150 | Halogen lamp 24V/150W |
| 2 | DLBOX | Plastic box |
| 1 | DCHDKA1 | Transport hard case |

Weight: 15.7 kg (34.6 lb.)

Size: 57 x 43 x 22 cm (22.5 x 17 x 8.75 ")



HARD CASE TUNGSTEN CLASSIC

Dedolight SuperMax Kit

The SuperMax kit is ideal when shooting commercials, table top and product photography where special effects are to be created with projection attachments. A two case combination of the K12 master lighting kit and the KX accessory kit.

A full array of projection attachments, lenses and numerous accessories are included.

Case 1: K12M Master 100 W 12 V Tungsten Kit

4	DLH4	Light head Aspherics ²
1	DT12-4	Power supply 4 x 10 – 12 V
6	DPOW3	Light head cable
1	DXBAT4-3	Battery cable
1	DCAR3	Cigarette lighter adapter
4	DBD8	Barn door
4	DPLS	Light shield ring
4	DDCF	Dichroic daylight conversion filter
4	DFH	Filter holder
1	DGMB	Gel filter set – Mixed blue
1	DGMD	Gel filter set – Mixed diffusion
1	DGW	Gel filter set – Warm tone
4	DST	Stand
2	DSTFX	Flexible stand extension
2	DH2	Wallholder
2	CLAMP1	Clamp
1	DV6B	Vacuum mount
10	DL100	Halogen lamp 12 V/100 W
4	DL50	Halogen lamp 12 V/ 50 W
4	DL20	Halogen lamp 12 V/ 20 W
3	DLBOX	Plastic box
1	DCHD	Transport hard case

Weight: 24.6 kg (54 lb.)

Size: 57 x 43 x 26 cm (22.5 x 17 x 10.25 ")

Case 2: KX – Accessory Kit

1	DP1	Projection attachment
2	DP2	Single function projection attachment
1	DP3	Projection attachment for slides
1	DPL60M	Lens 60 mm
1	DPLZ120M	Zoom lens 70 – 120 mm
1	DPLZ150M	Zoom lens 85 – 150 mm
1	DPL185M	Lens 185 mm
1	DPX	Extension tube
1	DPFS	Framing shutter blades
1	DPIR	Iris
3	DPGH	Gobo holder
4	DFH	Filter holder
2	DGRADF06	Graduated glass filter 0,6
2	DGRADF09	Graduated glass filter 0,9
1	DGMB8	Gel filter set – Mixed blue
1	DGB8	Gel filter set – Blue
1	DGMD	Gel filter set – Mixed diffusion
1	DGW	Gel filter set – Warm tone
1	DGCOL8	Gel filter set – Color effect
1	DGND8	Gel filter set – Neutral density
4	DPEYESET	Eye attachment
4	DPEYEP	Pouch for DPEYESET
3	DLBOX	Plastic box
4	DSCFD	Full scrim, double
4	DSCFS	Full scrim, single
4	DSCS1/2	Half scrim, single
2	DSCG	Graduated scrim
4	DSCP	Scrim pouch
1	DCHDX	Transport hard case

Weight: 9.8 kg (21.6 lb.)

Size: 57 x 43 x 22 cm (22.5 x 17 x 8.75 ")



SOFT CASE TUNGSTEN CLASSIC

code	description	name												The Explorer			The Interviewer - B		The Interviewer - M	
		code	SM12	SM24-1	SM24-300	SM24P	S1B	S1S	S1M	S2B	S2S	S2M	S3B	S3S	S3M	S4	S5B	S5M		
DLH4	Light head		1	1			1	1	1		1	1	1		3					
DLHM4-300	Light head w. transf.				1	1	1	1	1	2	2	2	3	3	3		3	3		
DLH1000S	Soft light						1	1	1	1	1	1	1	1			1	1		
DSBSS	Silver dome, small						1	1	1				1	1						
DLGRIDS	Grid, small								1											
DSBSM	Silver dome, medium									1	1	1					1	1		
DLGRIDM	Grid, medium											1						1		
DFT30 & DLTFH	Diffuser / Holder											1	1		1			1		
DIMTA3	12 V in-line P. S.		1																	
DT24-1	24 V in-line P. S.			1			1	1	1	1	1	1			3					
DXBAT4-3	Battery cable						1	1	1	1	1	1			1					
DCAR3	Cigarette lighter adapter						1	1	1	1	1	1			1					
DBD8	Barn door		1	1	1	1	2	2	2	3	3	3	3	3	3	3	3	3		
DPLS	Light shield ring								2		3	3		3	3		3	3		
DDCF	Dic. daylight conversion								2			3		3	3	3	3	3		
DSCK	Scrim kit								1			1		1			1	2		
DGRADF06	Graduated filter																	1		
DFH	Filter holder		1	1	1	1	2	2	2	3	3	3	3	3	3	3	3	3		
DGMB	Gel, mixed blue																			
DGMD	Gel, mixed diffusion						1	1	1	1	1	1	1	1	1	1	1	1		
DGW	Gel, warm tone											1		1			1	1		
DP1	Projection attachment					1		1	1			1		1	1		1	1		
DPGH	Gobo holder					1		1	2			2		1	1		1	3		
DPFS	Framing shutter blades					1		1	1			1		1	1		1	1		
DPIR	Iris													1				1		
DST	Stand						3	3	3	4	4	4	4	4	4	3	4	4		
DSTFX	Stand extension							1	1			1	2	2	2	1	1	2		
DH2	Wallholder											1		1				1		
CLAMP1	Clamp								2			1	2		2		1	2		
DL150	24 V 150 W lamp			2	2	2	4	6	6	6	6	6	6	6	6	6	6	6		
DL100	12 V 100 W lamp		2				2	2	2	2	2	2			2					
HX800	230/240 V 800 W	See kit contents list for lamps included.																		
DL750EHF	120 V 750 W	See kit contents list for lamps included.																		
DL1000FEP	240 V 1000 W	See kit contents list for lamps included.																		
DL1000FEL	120 V 1000 W	See kit contents list for lamps included.																		
DLBOX	Lamp box						1	2	3	1	2	3	1	2	3	1	2	2		
DSCM	Soft case mono		1	1	1	1														
DSC1	Soft case small						1	1	1				1							
DSC2	Soft case medium									1	1	1		1	1	1				
DSCXLW	Soft case large																	1	1	



SOFT CASE TUNGSTEN CLASSIC



SM12 Mono 100 W 12 V Tungsten Kit

- 1 DLH4 Light head Aspherics²
- 1 DIMTA3 Dimmable electronic power supply 230 V AC
- 1 DBD8 Barn door
- 1 DFH Filter holder
- 2 DL100 Halogen lamp 12 V/100 W
- 1 DSCM Soft case

Weight: 2.0 kg (4.3 lb.)
 Size: 28 x 17 x 25 cm (11 x 6.7 x 10 ")



SM24-1 Mono 150 W 24 V Tungsten Kit

- 1 DLH4 Light head Aspherics²
- 1 DT24-1 Dimmable electronic power supply 24 V
 230/240 V AC version add suffix E
 117 V AC version add suffix U
 100 V AC version add suffix J
- 1 DBD8 Barn door
- 1 DFH Filter holder
- 2 DL150 Halogen lamp 24 V/150 W
- 1 DSCM Soft case

Weight: 2.1 kg (4.7 lb.)
 Size: 28 x 17 x 25 cm (11 x 6.7 x 10 ")



SM24-300 Mono 150 W 24 V Tungsten Kit

- 1 DLHM4-300 Light head Aspherics² with built in dimmable electronic power supply 24 V
 230 V AC version add suffix E
 240 V AC version add suffix E+
 117 V AC version add suffix U
 100 V AC version add suffix J
- 1 DBD8 Barn door
- 1 DFH Filter holder
- 2 DL150 Halogen lamp 24 V/150 W
- 1 DSCM Soft case

Weight: 2.1 kg (4.5 lb.)
 Size: 28 x 17 x 25 cm (11 x 6.7 x 10 ")



SOFT CASE TUNGSTEN CLASSIC



SM24P Mono 150 W 24 V Tungsten Kit

- 1 DLHM4-300 Light head Aspherics² with built in dimmable electronic power supply 24 V
230 V AC version add suffix E
240 V AC version add suffix E+
117 V AC version add suffix U
100 V AC version add suffix J
 - 1 DBD8 Barn door
 - 1 DFH Filter holder
 - 2 DL150 Halogen lamp 24 V/150 W
 - 1 DP1 Projection attachment
 - 1 DPGH Gobo holder
 - 1 DPFS Framing shutter blades
 - 1 DSCM Soft case
- Weight: 2.6 kg (5.6 lb.) Size: 28 x 17 x 25 cm (11 x 6.7 x 10")



SBABE-S Baby Soft Kit Standard

- 1 DSC150S Soft bag
 - 1 DLH1x150S Soft light
 - 1 DSBSXS Mini soft box, silver
 - 1 DLGRIDXS Mini grid
 - 1 DT24-1 Dimmable electronic power supply 24 V
 - 2 DL150 Halogen lamp 24 V/150 W
 - 1 HTP150S High temperature pouch
- Weight: 1,9 kg (4.2 lb.)

SBABE-B Baby Soft Kit Basic same as above but without DLGRIDXS and HTP150S. Weight: 1,8 kg (4.0 lb.)



SJUN-Junior Soft Kit Standard

- 1 DSC300S Soft bag
 - 1 DLH1x300S Soft light
 - 1 DSBS Silver dome small
 - 1 DLGRIDS Grid small
 - 2 DL300FSL Halogen lamp 300 W
 - 1 HTP300S High temperature pouch
 - 1 DST Stand
- Weight: 3,9 kg (8.6 lb.)

SJUN-B Junior Soft Kit Basic same as above but without DLGRIDS and HTP300S. Weight: 3,8 kg (8.4 lb.)



SSEN-S Senior Soft Kit Standard

- 1 DSC300S Soft bag
 - 1 DLH1000S Soft light
 - 1 DSBSM Silver dome medium
 - 1 DLGRIDM Grid medium
 - 2 DL800FX Halogen lamp 800 W
 - 1 HTP1000S High temperature pouch
 - 1 DST Stand
- Weight: 4,0 kg (8.8 lb.)

SSEN-B Senior Soft Kit Basic same as above but without DLGRIDM, HTP1000S. Weight: 3,9 kg (8.6 lb.)



SOFT CASE TUNGSTEN CLASSIC

The Compact

The smallest most compact three light kits which are ideal for the very small mobile video crew. Two dimmable focusing lights of which one may also be used with battery operation along with the DLH1000S soft light are included. These kits will cover your basic interview needs.

S1B Basic Compact Kit

1	DLH4	Light head Aspherics ²
1	DLHM4-300	Light head Aspherics ² with built in dimmable electronic power supply 24 V
1	DLH1000S	Halogen soft light head 1000 W
1	DSBSS	Silver dome, small
1	DT24-1	Dimmable electronic power supply 24 V
1	DXBAT4-3	Battery cable
1	DCAR3	Cigarette lighter adapter
2	DBD8	Barn door
2	DFH	Filter holder
1	DGMD	Gel filter set - Mixed diffusion
3	DST	Stand
4	DL150	Halogen lamp 24 V/150 W
2	DL100	Halogen lamp 12 V/100 W
1	HX800	Lamp 230/240 V/800 W*
1	DLBOX	Plastic box
1	DSC1	Soft case, small
*option: 1 DL750EHF Lamp 120 V/750 W		
Weight: 10.1 kg (22.3 lb.)		
Size: 60 x 24 x 25.5 cm (23.6 x 9.5 x 10")		

S1S Standard Compact Kit

(items in bold are in addition to basic kit)

1	DLH4	Light head Aspherics ²
1	DLHM4-300	Light head Aspherics ² with built in dimmable electronic power supply 24
1	DLH1000S	Halogen soft light head 1000 W
1	DSBSS	Silver dome, small
1	DT24-1	Dimmable electronic power supply 24 V
1	DXBAT4-3	Battery cable
1	DCAR3	Cigarette lighter adapter
2	DBD8	Barn door
2	DFH	Filter holder
1	DGMD	Gel filter set - Mixed diffusion
1	DP1	Projection attachment
1	DPGH	Gobo holder
1	DPFS	Framing shutter blades
3	DST	Stand
1	DSTFX	Flexible stand extension
6	DL150	Halogen lamp 24 V/150 W
2	DL100	Halogen lamp 12 V/100 W
1	HX800	Lamp 230/240 V/800 W*

2	DLBOX	Plastic box
1	DSC1	Soft case, small
*option: 1 DL750EHF Lamp 120 V/750 W		
Weight: 10.7 kg (23.6 lb.)		
Size: 60 x 24 x 25.5 cm (23.6 x 9.5 x 10")		

S1M Master Compact Kit

(items in bold are in addition to standard kit)

1	DLH4	Light head Aspherics ²
1	DLHM4-300	Light head Aspherics ² with built-in dimmable electronic power supply 24 V
1	DLH1000S	Halogen soft light head 1000 W
1	DSBSS	Silver dome, small
1	DLGRIDS	Grid, small
1	DT24-1	Dimmable electronic power supply 24 V
1	DXBAT4-3	Battery cable
1	DCAR3	Cigarette lighter adapter
2	DBD8	Barn door
2	DPLS	Light shield ring
2	DDCF	Dichroic daylight conversion filter
1	DSCK	Scrim kit
1	DSCP	Scrim pouch
2	DFH	Filter holder
1	DGMD	Gel filter set - Mixed diffusion
1	DP1	Projection attachment
2	DPGH	Gobo holder
1	DPFS	Framing shutter blades
3	DST	Stand
1	DSTFX	Flexible stand extension
2	CLAMP1	Clamp
6	DL150	Halogen lamp 24 V/150 W
2	DL100	Halogen lamp 12 V/100 W
2	HX800	Lamp 230/240 V/800 W*
3	DLBOX	Plastic box
1	DSC1	Soft case, small
*option: 2 DL750EHF Lamp 120 V/750 W		
Weight: 11.2 kg (24.7 lb.)		
Size: 60 x 24 x 25.5 cm (23.6 x 9.5 x 10")		



The Traveler

These four light Traveler kits allow an elaborate interview and documentary style of lighting. Three dimmable focusing lights of which one may also be used with battery operation along with the DLH1000S soft light are included.

S2B Basic Traveler Kit

1	DLH4	Light head Aspherics ²
2	DLHM4-300	Light head Aspherics ² with built-in dimmable power supply 24 V
1	DLH1000S	Halogen soft light head 1000 W
1	DSBSM	Silver dome, medium
1	DT24-1	Dimmable electronic power supply 24 V
1	DXBAT4-3	Battery cable
1	DCAR3	Cigarette lighter adapter
3	DBD8	Barn door
3	DFH	Filter holder
1	DGMD	Gel filter set – mixed diffusion
4	DST	Stand
6	DL150	Halogen lamp 24 V/150 W
2	DL100	Halogen lamp 12 V/100 W
1	DL1000FEP	Lamp 230/240 V/1000 W*
1	DLBOX	Plastic box
1	DSC2	Soft case, large

*option: 1 DL1000FEL Lamp 120 V/1000 W

Weight: 13.0 kg (28.6 lb.)

Size: 75 x 27 x 29 cm (29.5 x 10.6 x 11.4")

S2S Standard Traveler Kit

(items in bold are in addition to basic kit)

1	DLH4	Light head Aspherics ²
2	DLHM4-300	Light head Aspherics ² with built-in dimmable power supply 24 V
1	DLH1000S	Soft light head 1000 W
1	DSBSM	Silver dome, medium
1	DT24-1	Dimmable electronic power supply 24 V
1	DXBAT4-3	Battery cable
1	DCAR3	Cigarette lighter adapter
3	DBD8	Barn door
3	DPLS	Light shield ring
3	DFH	Filter holder
1	DGMD	Gel filter set – Mixed diffusion
4	DST	Stand
1	DSTFX	Flexible stand extension
1	CLAMP1	Clamp
6	DL150	Halogen lamp 24 V/150 W
2	DL100	Halogen lamp 12 V/100 W
1	DL1000FEP	Lamp 230/240 V/1000 W*
2	DLBOX	Plastic box
1	DSC2	Soft case, large

*option: 1 DL1000FEL Lamp 120 V/1000 W

Weight: 13.3 kg (29.3 lb.)

Size: 75 x 27 x 29 cm (29.5 x 10.6 x 11.4")

S2M Master Traveler Kit

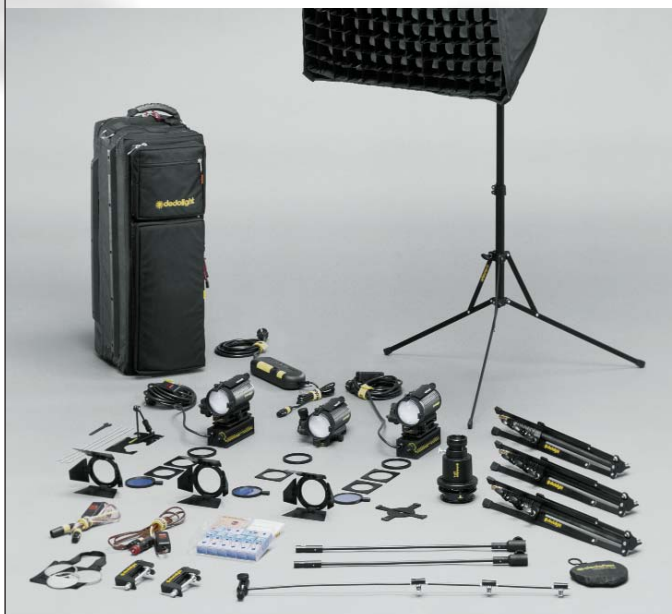
(items in bold are in addition to standard kit)

1	DLH4	Light head Aspherics ²
2	DLHM4-300	Light head Aspherics ² with built-in dimmable power supply 24 V
1	DLH1000S	Soft light head 1000 W
1	DSBSM	Silver dome, medium
1	DLGRIDM	Grid, medium
1	DFT30	Diffusor translucent
1	DLTFH	Compact Dedoflex holder
1	DT24-1	Dimmable electronic power supply 24 V
1	DXBAT4-3	Battery cable
1	DCAR3	Cigarette lighter adapter
3	DBD8	Barn door
3	DPLS	Light shield ring
3	DDCF	Dichroic daylight conversion filter
1	DSCK	Scrim kit
1	DSCP	Scrim pouch
3	DFH	Filter holder
1	DGMD	Gel filter set – Mixed diffusion
1	DGW	Gel filter set – Warm tone
1	DP1	Projection attachment
2	DPGH	Gobo holder
1	DPFS	Framing shutter blades
4	DST	Stand
2	DSTFX	Flexible stand extension
1	DH2	Wallholder
2	CLAMP1	Clamp
6	DL150	Halogen lamp 24 V/150 W
2	DL100	Halogen lamp 12 V/100 W
2	DL1000FEP	Lamp 230/240 V/1000 W*
3	DLBOX	Plastic box
1	DSC2	Soft case, large

*option: 2 DL1000FEL Lamp 120 V/1000 W

Weight: 14.5 kg (32.0 lb.)

Size: 79 x 29 x 36 cm (31 x 11.4 x 14")



SOFT CASE TUNGSTEN CLASSIC

The Hustler

These four light kits are designed for crews requiring extremely quick set up, but no need for battery operation and are strictly mains powered. Standard and master kits also include a diffuser and holder allowing one of the focusing light heads to be used as an additional soft source.

S3B Basic Hustler Kit

3	DLHM4-300	Light head Aspherics ² with built-in electronic power supply 24 V
1	DLH1000S	Soft light head 1000 W
1	DSBSS	Silver dome small
3	DBD8	Barn door
3	DFH	Filter holder
1	DGMD	Gel filter set – Mixed diffusion
4	DST	Stand
1	DSTFX	Flexible stand extension
6	DL150	Halogen lamp 24 V/150 W
1	HX800	Lamp 230/240 V/800 W*
1	DLBOX	Plastic box
1	DSC1	Soft case, small
*option: 1 DL750EHF Lamp 120 V/750 W		
Weight: 12.0 kg (26.5 lb.)		
Size: 60 x 24 x 25.5 cm (23.6 x 9.5 x 10")		

S3S Standard Hustler Kit

(items in bold are in addition to basic kit)

3	DLHM4-300	Light head Aspherics ² with built-in electronic power supply 24 V
1	DLH1000S	Soft light head 1000 W
1	DSBSS	Silver dome, small
1	DFT30	Diffusor, translucent
1	DLTFH	Compact Dedoflex holder
3	DBD8	Barn door
3	DPLS	Light shield ring
3	DFH	Filter holder
1	DGMD	Gel filter set – Mixed diffusion
1	DP1	Projection attachment
1	DPGH	Gobo holder
1	DPFS	Framing shutter blades
4	DST	Stand
2	DSTFX	Flexible stand extension
1	CLAMP1	Clamp
6	DL150	Halogen lamp 24 V/150 W
1	HX800	Lamp 230/240 V/800 W*
2	DLBOX	Plastic box
1	DSC2	Soft case, large
*option: 1 DL750EHF Lamp 120 V/750 W		
Weight: 12.9 kg (28.4 lb.)		
Size: 75 x 27 x 29 cm (29.5 x 10.6 x 11.4")		

S3M Master Hustler Kit

(items in bold are in addition to standard kit)

3	DLHM4-300	Light head Aspherics ² with built-in electronic power supply 24 V
1	DLH1000S	Soft light head 1000 W
1	DSBSM	Silver dome medium
1	DLGRIDM	Grid medium
1	DFT30	Diffusor, translucent
1	DLTFH	Compact Dedoflex holder
3	DBD8	Barn door
3	DPLS	Light shield ring
3	DDCF	Dichroic daylight conversion filter
1	DSCK	Scrim kit
1	DSCP	Scrim pouch
3	DFH	Filter holder
1	DGMD	Gel filter set – Mixed diffusion
1	DGW	Gel filter set – Warm tone
1	DP1	Projection attachment
1	DPGH	Gobo holder
1	DPFS	Framing shutter blades
1	DPIR	Iris
4	DST	Stand
2	DSTFX	Flexible stand extension
1	DH2	Wallholder
2	CLAMP1	Clamp
6	DL150	Halogen lamp 24 V/150 W
2	DL1000FEP	Lamp 230/240 V/1000 W*
3	DLBOX	Plastic box
1	DSC2	Soft case, large
*option: 1 DL1000FEL Lamp 120 V/1000 W		
Weight: 14.2 kg (31.3 lb.)		
Size: 79 x 29 x 36 cm (31 x 11.4 x 14")		



The Explorer

This three light kit is ideal for teams requiring mains operation and also the ability to run all three focusing heads from battery (additional adapter cables required). With ,option 1' a soft light is added which may also be operated from mains or battery. See Powering Options section for BIGPACK batteries and DLSPLIT splitter box (Page 42).

Option 1 (Add suffix '1' to model number):
Add DLH1 x 150S soft light (includes DT24-1 dimmable power supply, Dedoflex DSBSXS mini soft box and DST stand)

S4 Basic Explorer Kit:

3	DLH4	Light head Aspherics ²
3	DT24-1	Dimmable electronic power supply 24 V
1	DFT30	Diffuser translucent
1	DLTFH	Compact Dedoflex holder
1	DXBAT4-3	Battery cable
1	DCAR3	Cigarette lighter adapter
3	DBD8	Barn door
3	DDCF	Dichroic daylight conversion filter
3	DFH	Filter holder
1	DGMD	Gel filter set – Mixed diffusion
3	DST	Stand
1	DSTFX	Flexible stand extension
2	CLAMP1	Clamp
6	DL150	Halogen lamp 24 V/150 W
2	DL100	Halogen lamp 12 V/100 W
1	DLBOX	Plastic box
1	DSC2	Soft case, large

Weight: 9.4 kg (20.7 lb.)

Size: 79 x 29 x 36 cm (31 x 11.4 x 14")



SOFT CASE TUNGSTEN CLASSIC

The Interviewer

These kits were specifically designed for interview applications. Packed in a slightly larger case with wheels for ease and mobility, they contain three mains powered focusing light heads, one soft light and space for additional equipment. Master kit also includes a diffuser and holder allowing one of the focusing light heads to be used as an additional soft source.

S5B Basic Interviewer Kit

3	DLHM4-300	Light head Aspherics ² with built in electronic power supply 24 V
1	DLH1000S	Halogen soft light head 1000 W
1	DSBSM	Silver dome, medium
3	DBD8	Barn door
3	DPLS	Light shield ring
3	DDCF	Dichroic daylight conversion filter
1	DSCK	Scrim kit
1	DSCP	Scrim pouch
3	DFH	Filter holder
1	DGMD	Gel filter set – Mixed diffusion
1	DGW	Gel filter set – Warm tone
1	DP1	Projection attachment
1	DPGH	Gobo holder
1	DPFS	Framing shutter blades
4	DST	Stand
1	DSTFX	Flexible stand extension
1	CLAMP1	Clamp
6	DL150	Halogen lamp 24 V/150 W
1	DL1000FEP	Lamp 230/240 V/1000 W*
2	DLBOX	Plastic box
1	DSCXLW	Soft case, extra large with wheels

*option: 1 DL1000FEL Lamp 120 V/1000 W

Weight: 15.4 kg (34.0 lb.)

Size: 90 x 27 x 36 cm (35.4 x 10.6 x 13.4 ")

S5M Master Interviewer Kit

(items in bold are in addition to basic kit)

3	DLHM4-300	Light head Aspherics ² with built in electronic power supply 24 V
1	DLH1000S	Halogen soft light head 1000 W
1	DSBSM	Silver dome, medium
1	DLGRIDM	Grid, medium
1	DFT30	Diffuser, translucent
1	DLTFH	Compact Dedoflex holder
3	DBD8	Barn door
3	DPLS	Light shield ring
3	DDCF	Dichroic daylight conversion filter
2	DSCK	Scrim kit
2	DSCP	Scrim pouch
1	DGRADF06	Graduated glass filter

3	DFH	Filter holder
1	DGMD	Gel filter set – Mixed diffusion
1	DGW	Gel filter set – Warm tone
1	DP1	Projection attachment
3	DPGH	Gobo holder
1	DPFS	Framing shutter blades
1	DPIR	Iris
4	DST	Stand
2	DSTFX	Flexible stand extension
1	DH2	Wallholder
2	CLAMP1	Clamp
6	DL150	Halogen lamp 24 V/150 W
3	DL1000FEP	Lamp 230/240 V/1000 W*
2	DLBOX	Plastic box
1	DSCXLW	Soft case, extra large with wheels
*option: 3 DL1000FEL		Lamp 120 V/1000 W
Weight: 16.1 kg (35.4 lb.)		
Size: 90 x 27 x 36 cm (35.4 x 10.6 x 13.4 ")		





KOB54 On-Board Battery Kit

1	DLOBA ²	On-board light head
1	DLHAND	Handle
1	DLSA	Stand adapter
1	DLBAT54	Battery belt NiCd
1	DLOBA ² -XLR	Cable 4-pin XLR
1	DT12DC	AC power supply, 90–260 VAC
4	DL75	Halogen lamp 12 V/75 W
2	DL50	Halogen lamp 12 V/50 W
2	DL20	Halogen lamp 12 V/20 W
1	DCBAT	Transport case

Weight: 6 kg (13.2 lb.)

Size: 46 x 34 x 15 cm (18.1 x 13.4 x 5.9 ")

KOB84 On-Board Battery Kit

1	DLOBA ²	On-board light head
1	DLHAND	Handle
1	DLSA	Stand adapter
1	DLBAT84-1	Battery belt NiCd
1	DLOBA ² -XLR	Cable 4-pin XLR
1	DT12DC	AC power supply, 90–260 VAC
4	DL75	Halogen lamp 12 V/75 W
2	DL50	Halogen lamp 12 V/50 W
2	DL20	Halogen lamp 12 V/20 W
1	DCBAT	Transport case

Weight: 6 kg (13.2 lb.)

Size: 46 x 34 x 15 cm (18.1 x 13.4 x 5.9 ")

Options for KOB54 and KOB84

- Option 2: Same as KOB54/KOB84 but with DLBAT84-2 NiMh belt
- Option 13: Same as KOB54/KOB84 but with DLBAT84-13 NiMh belt
- Option E: All belts available with built in electronic discharge guard
- Option ED: All belts available with built in electronic discharge guard and dimmer

KBAT5 Battery Kit

1	DLH4	Light head
1	DBD8	Barn door
1	DFH	Filter holder
1	DGB	Gel filter set – Blue
1	DLUMT	Universal mount
1	DLCLAMP	Camera clamp
1	DLHAND	Handle
1	DLSA	Stand adapter
1	DLBAT54	Battery belt NiCd
1	DXBAT4-3	Battery cable
1	DT12DC	AC power supply, 90–260 VAC
4	DL100	Halogen lamp 12 V/100 W
2	DL50	Halogen lamp 12 V/ 50 W
2	DL20	Halogen lamp 12 V/ 20 W
1	DCBAT	Transport case

Weight: 6 kg (13.2 lb.)

Size: 46 x 34 x 15 cm (18.1 x 13.4 x 5.9 ")

KBAT8 Battery Kit

1	DLH4	Light head
1	DBD8	Barn door
1	DFH	Filter holder
1	DGB	Gel filter set – Blue
1	DLUMT	Universal mount
1	DLCLAMP	Camera clamp
1	DLHAND	Handle
1	DLSA	Stand adapter
1	DLBAT84-1	Battery belt NiCd
1	DXBAT4-3	Battery cable
1	DT12DC	AC power supply, 90–260 VAC
4	DL100	Halogen lamp 12 V/100 W
2	DL50	Halogen lamp 12 V/ 50 W
2	DL20	Halogen lamp 12 V/ 20 W
1	DCBAT	Transport case

Weight: 6 kg (13.2 lb.)

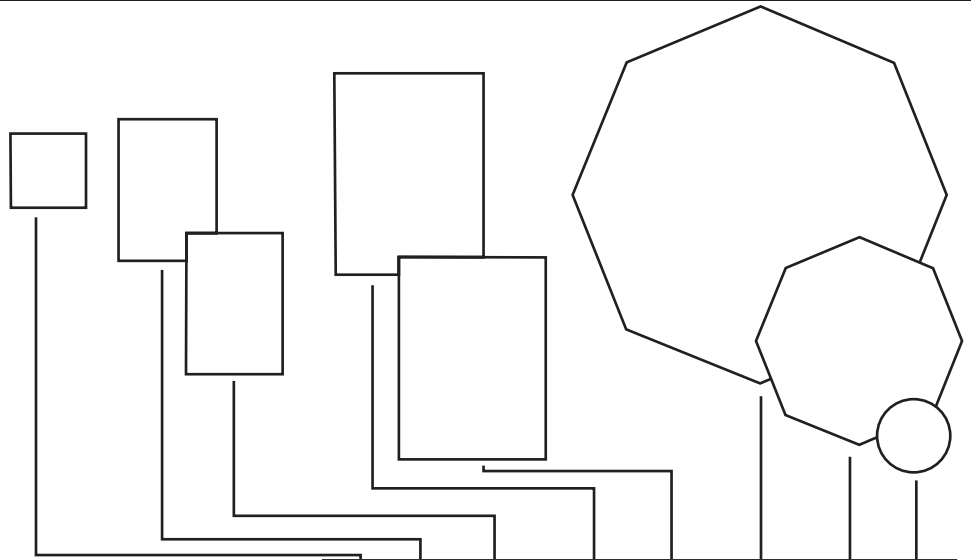
Size: 46 x 34 x 15 cm (18.1 x 13.4 x 5.9 ")

Options for KBAT5 and KBAT8

- Option 2: Same as KBAT8 but with DLBAT84-2 NiMh
- Option 13: Same as KBAT8 but with KBAT84-13 NiMh
- Option E: All belts available with electronic discharge guard
- Option ED: All belts available with electronic discharge guard and built in dimmer



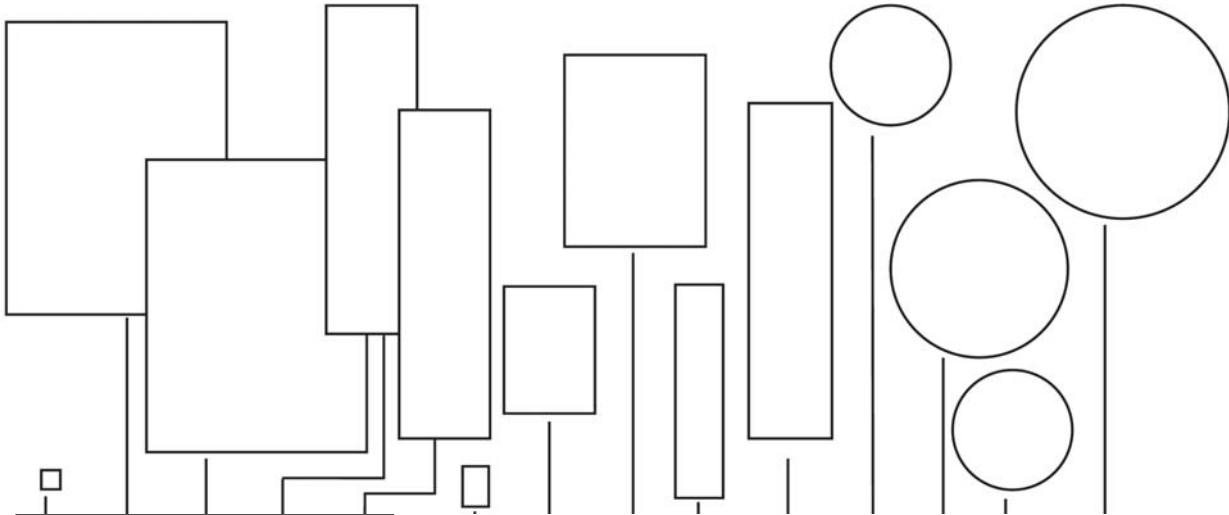
SOFT BOX OPTIONS



LEGEND

- DLSR1 Dedolight speed ring, Ø 119 mm
- DLSR2 Dedolight speed ring, Ø 160 mm
- DLSR8 Dedolight speed ring, Ø 119 mm with 8 rod receptors
- DLSR70 Dedolight mini speed ring, Ø 90 mm
- RE1 rod extensions 52 mm
- RE2 rod extensions 74 mm
- RE3 rod extensions 210 mm
- RE4 rod extensions 300 mm
- (·) soft box without inner diffusor
- * Dif. diffusor/light emitting surface
- ** Depth distance from diffusor* to connector/speed ring

		DEDOFLEX							
		Silver Mini DSBSXS Dif.*: 30x30 cm; Depth**: 30 cm	Silver Dome Small DSBS Dif.*: 41 x 56 cm; Depth**: 33 cm	White Dome Small DSBS Dif.*: 41 x 56 cm; Depth**: 33 cm	Silver Dome Medium DSBSM Dif.*: 61 x 81 cm; Depth**: 43 cm	White Dome Medium DSBWM Dif.*: 61 x 81 cm; Depth**: 43 cm	Octodome DSBOCT Dif.*: Ø 152 cm; Depth**: 40,5 cm	Octodome DSBOCTS Dif.*: Ø 83 cm; Depth**: 34,5 cm	Collapsible Diffusor DFT30 Dif.*: Ø 30 cm
<ul style="list-style-type: none"> · DLH4 · DLHM4-300 · DLH200D 	DLSR70								DLTFH
<ul style="list-style-type: none"> · DLH150S 	●	●	●	●	●				
<ul style="list-style-type: none"> · DLH300S 	(●)	●	●	●	●				
<ul style="list-style-type: none"> · DLH200S 		●	●	●	●		●		
<ul style="list-style-type: none"> · DLH400D · DLH436 · DLH650 				DLSR1	DLSR1				
<ul style="list-style-type: none"> · DLH400S 		●	●	●	●	●			
<ul style="list-style-type: none"> · DLH4 x 150S 				●	●	●			
<ul style="list-style-type: none"> · DLH1000S 			●	●	●				
<ul style="list-style-type: none"> · DLH1000SPPLUS 			●	●	●	●			
<ul style="list-style-type: none"> · DPAR-0 with DPAR-R 									
<ul style="list-style-type: none"> · DPAR-0 with DPAR-S 		DLSR1	DLSR1	DLSR1	DLSR1	DLSR1	DLSR8		
<ul style="list-style-type: none"> · Grids 		DLGRID S			DLGRID M		DLGRID OCT	DLGRID OCTS	



PHOTOFLEX

Action Dome Dif.*: 17 x 12 cm; Depth**: 17.8 cm	Silver Dome Large Dif.*: 91 x 122 cm; Depth**: 64 cm	White Dome Large Dif.*: 91 x 122 cm; Depth**: 64 cm	Half Dome Silver Dif.*: 38 x 139 cm; Depth**: 61 cm	Half Dome White Dif.*: 38 x 139 cm; Depth**: 61 cm
FV-ENG-KIT1				
	DLSR1	DLSR1		
	RE1	RE1	●	●
	RE1	RE1	●	●
	●	●	●	●
	●	●	●	●
	DLSR1	DLSR1	DLSR1	DLSR1

CHIMERA

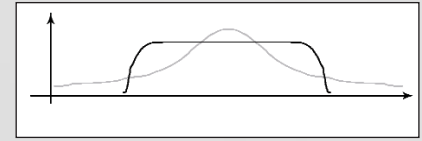
Micro Bank Dif.*: 18 x 13 cm; Depth**: 14 cm	Video Plus Pro XS Dif.*: 40 x 55 cm; Depth**: 30 cm	Video Plus Pro S Dif.*: 60 x 80 cm; Depth**: 46 cm	Video Pro Plus Strip S Dif.*: 20 x 90 cm; Depth**: 40 cm	Video Pro Plus Strip M Dif.*: 35 x 140 cm; Depth**: 56 cm	Standard Lantern 20" Dif.*: Ø 50 cm; Depth**: 44.5 cm	Standard Lantern 30" Dif.*: Ø 76 cm; Depth**: 66 cm	Pancake S Dif.*: Ø 51 cm; Depth**: 24 cm	Pancake M Dif.*: Ø 89 cm; Depth**: 42.5 cm
●								
	RE2	RE2	RE2		RE2	RE2	RE3	RE4
	RE2	RE2	RE2		RE2	RE2	RE3	RE4
		DLSR1 + RE2	DLSR1 + RE1	DLSR1 + RE1				
		RE2	RE1	RE1		RE2		RE4
		RE2	RE1	RE1		RE2		RE4
	●	●	●	●	●	●	RE3	RE4
		●	●	●		●	RE3	RE4
		DLSR2	DLSR2	DLSR2				
		DLSR1 + RE2	DLSR1 + RE1			DLSR1 + RE1		DLSR1 + RE4

	AC-GRID L		AC-GRID M	
--	-----------	--	-----------	--

PHOTOMETRICS

When comparing photometric data of different manufacturers, it should be noted that practically all other lights have a bell shaped light distribution curve (hot spots in the center), while Dedolight lighting fixtures show an equal intensity over the entire lit area.

Photometric data usually defines intensity at the center of the beam. Other comparable light sources of higher wattages may appear to have a higher output in flood position, yet the Dedolights edge to edge output will actually be more. In spot position, the Dedolight will easily exceed the center intensity of other lights that have drastically higher wattage ratings.



Series 400: DLH400D, DLH650, DLH436

Distance	Meter	1	2	3	5	10	15	20
	Feet	3.3'	6.6'	9.8'	16.4'	32.8'	49.2'	65.6'

		Lamp: 400 W at 575 W Boost (Daylight, 5500 K)								
DLH400D	Flood 50°	Lit Diameter	Meter	0.93	1.8	2.8	4.7	9.3	14	18.6
			Feet	3'	5.9'	9.2'	13.8'	27.8'	41.7'	61'
		Intensity	Lux	18900	4725	2100	756	189	84	—
	Foot-Candle		1557	439	195	70	18	8	—	
	Med 13°	Lit Diameter	Meter	0.23	0.46	0.68	1.1	2.3	3.4	4.6
			Feet	0.75'	1.5'	2.2'	3.6'	7.5'	11'	15'
Intensity		Lux	118000	29502	13112	4720	1180	525	295	
	Foot-Candle	10966	2742	1219	439	110	49	27		
Spot 4.5°	Lit Diameter	Meter	0.1	0.17	0.26	0.44	0.87	1.3	1.7	
		Feet	0.3'	0.56'	0.9'	1.4'	2.9'	4.3'	5.6'	
	Intensity	Lux	371700	92925	41300	14868	3717	1652	929	
Foot-Candle		34545	8636	3838	1382	346	154	86		

		Lamp: 650 W at 230 V (Tungsten, 3200 K)								
DLH650	Flood 56°	Lit Diameter	Meter	1.1	2.1	3.2	5.3	10.6	16	21
			Feet	3.6'	6.9'	10.5'	17'	34'	52'	68'
		Intensity	Lux	8200	2430	1080	380	95	—	—
	Foot-Candle		762	226	100	35	8.8	—	—	
	Med 14°	Lit Diameter	Meter	0.25	0.5	0.75	1.2	2.5	3.7	5
			Feet	0.8'	1.6'	2.5'	3.9'	8.2'	12'	16.4'
Intensity		Lux	21650	5800	2650	950	238	106	59	
	Foot-Candle	2012	539	246	88	22	9.8	5.5		
Spot 8°	Lit Diameter	Meter	0.15	0.27	0.42	0.7	1.4	2	2.8	
		Feet	0.5'	0.9'	1.4'	2.3'	4.6'	6.5'	9.2'	
	Intensity	Lux	96000	25320	13700	4932	1233	548	300	
Foot-Candle		8921	2353	1273	458	115	51	28		

		Lamp: 400 W at 36 V (Tungsten, 3400 K)								
DLH436	Flood 56°	Lit Diameter	Meter	1.1	2.1	3.2	5.3	10.6	16	21
			Feet	3.6'	6.9'	10.5'	17'	34'	52'	68'
		Intensity	Lux	8524	2172	1010	353	88	—	—
	Foot-Candle		792	202	94	32.8	8.2	—	—	
	Med 18°	Lit Diameter	Meter	0.32	0.63	0.95	1.6	3.2	4.7	6.3
			Feet	1'	2'	3.1'	5.2'	10.4'	15.4'	20.5'
Intensity		Lux	40680	10170	4520	1300	356	150	—	
	Foot-Candle	3781	945	420	121	33	13	—		
Spot 5.5°	Lit Diameter	Meter	0.1	0.2	0.3	0.5	1	1.5	2	
		Feet	0.3'	0.66'	1'	1.6'	3.3'	5'	6.6'	
	Intensity	Lux	93430	23350	16000	5660	1440	640	360	
Foot-Candle		8683	2170	1486	526	134	59	33		

Series 400: DedoPAR

Three different spread lenses can be used to widen the beam angle.

Distance	Meter	1	2	3	5	10	15	20
	Feet		3.3'	6.6'	9.8'	16.4'	32.8'	49.2'

		Lamp: 400 W (Daylight, 5500 K)								
		Intensity	Lux	Foot-Candle	1	2	3	5	10	15
DEDOPAR	without lens	Intensity	Lux	171000	42750	19000	6840	1710	760	428
			Foot-Candle	15885	3971	1765	635	159	71	40
	spread lens 1	Intensity	Lux	168300	42075	18700	6732	1683	748	421
			Foot-Candle	15633	3908	1737	625	156	69	39
	spread lens 2	Intensity	Lux	42300	10575	4700	1692	423	188	106
			Foot-Candle	3931	983	437	157	39	17	9.9
	spread lens 3	Intensity	Lux	18900	4725	2100	756	189	84	47
			Foot-Candle	1756	439	195	70	18	8	4.4

Series 400: Imager / Projection Attachment

Distance	Meter	1	2	3	5	7	10
	Feet		3.3'	6.6'	9.8'	16.4'	23'

100 mm f 1.6	Diameter round Ø	cm	74	145	220	365	515	730
		inch	30"	57"	87"	144"	202"	287"
	Size square	cm	50 x 50	100 x 100	154 x 154	255 x 255	360 x 360	510 x 510
		inch	19" x 19"	39" x 39"	60" x 60"	100" x 100"	140" x 140"	200" x 200"
	DLH400D at 575 W	Lux	12240	3060	1360	490	250	124
		Foot-Candle	1138	284	126	46	23	11.3
	DLH650 – 230 V	Lux	8190	2050	910	325	165	82
		Foot-Candle	761	190	85	30	15	7.6
	DLH436 – 36 V	Lux	5580	1700	620	225	114	56
		Foot-Candle	519	158	58	21	10.6	5.2

185 mm f 3.5	Diameter round Ø	cm	38	80	125	200	290	410
		inch	15"	31"	49"	78"	114"	160"
	Size square	cm	26 x 26	56 x 56	87 x 87	140 x 140	200 x 200	285 x 285
		inch	10" x 10"	22" x 22"	34" x 34"	55" x 55"	78" x 78"	110" x 110"
	DLH400D at 575 W	Lux	31500	8000	3500	1260	640	315
		Foot-Candle	2928	744	325	117	60	29
	DLH650 – 230 V	Lux	28000	6000	2500	900	480	240
		Foot-Candle	2602	558	232	84	45	22
	DLH436 – 36 V	Lux	18000	4500	2000	720	365	180
		Foot-Candle	1673	418	186	67	34	16.7

230 mm f 2.3	Diameter round Ø	cm	31	63	95	158	222	317
		inch	12"	25"	37"	62"	87"	125"
	Size square	cm	22 x 22	44 x 44	67 x 67	112 x 112	156 x 156	233 x 233
		inch	9" x 9"	17" x 17"	26" x 26"	44" x 44"	61" x 61"	88" x 88"
	DLH400D at 575 W	Lux	63000	15750	7000	2520	1286	630
		Foot-Candle	5855	1464	650	234	120	59
	DLH650 – 230 V	Lux	40500	10125	4500	1620	826	405
		Foot-Candle	3763	941	418	151	77	38
	DLH436 – 36 V	Lux	38250	9563	4250	1530	781	383
		Foot-Candle	3555	889	395	142	73	36

PHOTOMETRICS

Classic Series/Series 200: DLH200D, DLH4 (100 W), DLH4 (150 W), DLOBA²

Distance	Meter	1	2	3	5	10	15	20
	Feet	3.3'	6.6'	9.8'	16.4'	32.8'	49.2'	65.6'

		Lamp: DD 200HR (Daylight, 5500 K)									
DLH200D	Flood 48°	Lit Diameter	Meter	0.9	1.8	2.7	4.5	9	13	18	
			Feet	3'	6'	8.9'	15'	30'	43'	60'	
		Intensity	Lux	8505	2126	945	340	86	–	–	
			Foot – Candle	790	198	88	32	9	–	–	
		Med 27°	Lit Diameter	Meter	0.5	0.96	1.4	2.4	4.8	7.2	9.6
				Feet	1.6'	3.2'	4.6'	8'	16'	24'	32'
	Intensity		Lux	36000	9000	4000	1440	360	160	90	
			Foot – Candle	3346	836	372	134	33	15	8.4	
	Spot 4.5°		Lit Diameter	Meter	0.1	0.16	0.24	0.4	0.8	1.2	1.6
				Feet	0.3'	0.53'	0.8'	1.3'	2.6'	4'	5.3'
		Intensity	Lux	121500	30375	13500	4860	1215	540	304	
			Foot – Candle	11292	2823	1255	452	113	50	28	

		Lamp: 150 W / 24 V (DL – 150) at 24.4 V (Tungsten, 3400 K)									
DLH4 150 W	Flood 48°	Lit Diameter	Meter	0.9	1.8	2.7	4.5	9	13	18	
			Feet	3'	6'	8.9'	15'	30'	43'	60'	
		Intensity	Lux	4000	1000	445	160	–	–	–	
			Foot – Candle	372	93	41	14.9	–	–	–	
		Med 27°	Lit Diameter	Meter	0.5	0.96	1.4	2.4	4.8	7.2	9.6
				Feet	1.6'	3.2'	4.6'	8'	16'	24'	32'
	Intensity		Lux	19800	4950	2200	790	198	88	–	
			Foot – Candle	1840	460	204	73	18.4	8.2	–	
	Spot 4.5°		Lit Diameter	Meter	0.1	0.16	0.24	0.4	0.8	1.2	1.6
				Feet	0.3'	0.53'	0.8'	1.3'	2.6'	4'	5.3'
		Intensity	Lux	81900	20475	9100	3276	819	364	205	
			Foot – Candle	7611	1903	846	304	76	34	19	

		Lamp: 100 W / 12 V (DL – 100) at 12.4 V (Tungsten, 3400 K)									
DLH4 100 W	Flood 48°	Lit Diameter	Meter	0.9	1.8	2.7	4.5	9	13	18	
			Feet	3'	6'	8.9'	15'	30'	43'	60'	
		Intensity	Lux	2160	540	240	86	21	–	–	
			Foot – Candle	200	50	22	8	2	–	–	
		Med 27°	Lit Diameter	Meter	0.5	0.96	1.4	2.4	4.8	7.2	9.6
				Feet	1.6'	3.2'	4.6'	8'	16'	24'	32'
	Intensity		Lux	12960	3240	1440	518	130	–	–	
			Foot – Candle	1204	301	134	48	12	–	–	
	Spot 4.5°		Lit Diameter	Meter	0.1	0.16	0.24	0.4	0.8	1.2	1.6
				Feet	0.3'	0.53'	0.8'	1.3'	2.6'	4'	5.3'
		Intensity	Lux	49500	12375	5500	1980	495	220	124	
			Foot – Candle	4600	1150	511	184	46	20.4	11.5	

		Lamp: 50 W / 12 V (D – 50) at 12.4 V (Tungsten, 3400 K)									
DLOBA ²	Flood 70°	Lit Diameter	Meter	1.4	2.8	4.2	7	14	21	28	
			Feet	4.6'	9.2'	13.8'	23'	46'	68.9'	91.8'	
		Intensity	Lux	624	156	70	25	–	–	–	
			Foot – Candle	58	15	6.5	2.3	–	–	–	
		Spot 6°	Lit Diameter	Meter	0.1	0.2	0.3	0.5	1	1.6	2.1
				Feet	0.3'	0.7'	1'	1.7'	3.4'	5.2'	6.9'
	Intensity		Lux	6168	1542	685	244	62	27	–	
			Foot – Candle	573	143	64	23	6	2.5	–	

Classic Series/Series 200: Classic Imager

Distance	Meter	0,5	1	2	3	4	5	7
	Feet	1.6'	3.3'	6.6'	9.8'	13.1'	16.4'	23'

60 mm f 2.8	Diameter round Ø	cm	40	80	160	240	320	400	560
		inch	16"	32"	64"	95"	128"	160"	224"
	Size square	cm	25 x 25	50 x 50	100 x 100	150 x 150	200 x 200	250 x 250	350 x 350
		inch	10" x 10"	20" x 20"	40" x 40"	60" x 60"	80" x 80"	100" x 100"	140" x 140"
	DLH4 – 100 W at 12.4 V (Tungsten, 3400 K)	Lux	7295	1575	360	155	90	53	–
		Foot – Candle	678	146	33	14.4	8.4	5	–
	DLH4 – 150 W at 24.4 V (Tungsten, 3400 K)	Lux	8646	2830	628	270	150	96	–
		Foot – Candle	803	263	58	25	14	9	–
	DLH – 200D (Daylight, 5400 K)	Lux	17280	4320	1080	480	270	173	88
		Foot – Candle	1606	402	100	45	25	16	8.2

85 mm f 2.8	Diameter round Ø	cm	30	60	120	180	240	300	420
		inch	12"	24"	47"	72"	96"	120"	168"
	Size square	cm	17 x 17	35 x 35	70 x 70	105 x 105	140 x 140	175 x 175	245 x 245
		inch	6.7" x 6.7"	13" x 13"	27" x 27"	40" x 40"	54" x 54"	67" x 67"	90" x 90"
	DLH4 – 100 W at 12.4 V (Tungsten, 3400 K)	Lux	9806	3245	638	292	164	99	50
		Foot – Candle	911	301	59	27	15	9.2	4.6
	DLH4 – 150 W at 24.4 V (Tungsten, 3400 K)	Lux	14575	4867	1089	450	258	157	79
		Foot – Candle	1355	452	101	42	24	14.6	7.3
	DLH – 200D (Daylight, 5400 K)	Lux	41400	10350	2588	1150	647	414	211
		Foot – Candle	3848	962	241	107	60	39	20

185 mm f 3.5	Diameter round Ø	cm	10	20	40	60	80	100	140
		inch	4"	8"	16"	24"	32"	40"	56"
	Size square	cm	7 x 7	14 x 14	28 x 28	42 x 42	56 x 56	70 x 70	98 x 98
		inch	2.8" x 2.8"	5.6" x 5.6"	11" x 11"	17" x 17"	22" x 22"	28" x 28"	39" x 39"
	DLH4 – 100 W at 12.4 V (Tungsten, 3400 K)	Lux	40456	15584	3476	1430	777	472	260
		Foot – Candle	3760	1448	323	133	72	44	24
	DLH4 – 150 W at 24.4 V (Tungsten, 3400 K)	Lux	61739	29147	6163	2456	1428	807	417
		Foot – Candle	5738	2708	573	228	133	75	39
	DLH – 200D (Daylight, 5400 K)	Lux	198000	49500	12375	5500	3094	1980	1010
		Foot – Candle	18401	4600	1150	511	288	184	94

Conversion factors

To obtain photometric values for light head/bulb or light head/imager combinations that are not listed in the photometric tables, multiply the values from the tables with the conversion factors listed below.

Conversion for classic series (p. 33) and series 200 (p. 30).

DLH200D used with a 3200 K ceramic lamp	= 0.95
DLH4 (150 W) switched/dimmed to 3200 K	= 0.82
DLH4 (100 W) 3400 K tungsten lamp switched/dimmed to 3200 K	= 0.66
DLH4 used with 50 W/3400 K tungsten lamp	= 0.70
DLH4 used with 50 W/3400 K tungsten lamp at 3200 K	= 0.56

Conversion for classic series and series 200 with imager projection attachment (p. 48).

DLH4 (100 W) 3400 K tungsten lamp switched/dimmed to 3200 K	= 0.65
DLH4 (100 W) 3400 K tungsten lamp with a 2000 h lamp	= 0.85
DLH4 (150 W) 3400 K tungsten lamp switched/dimmed to 3200 K	= 0.80
DLH200D used with a 3200 K ceramic lamp	= 0.75

PHOTOMETRICS

Classic Series/Series 200: Imager Projection Attachment Zooms

Distance	Meter	0.5	1	2	3	4	5	7
	Feet	1.6'	3.3'	6.6'	9.8'	13.1'	16.4'	23'

70 – 120 mm f 3.5 (at 70 mm)	Diameter round Ø	cm	32.5	65	130	195	260	325	455
		inch	13"	26"	52"	78"	104"	130"	182"
	Size square	cm	23 x 23	46 x 46	92 x 92	138 x 138	184 x 184	230 x 230	322 x 322
		inch	9" x 9"	18" x 18"	36" x 36"	54" x 54"	72" x 72"	90" x 90"	126" x 126"
	DLH4 – 100 W at 12.4 V (Tungsten, 3400 K)	Lux	9875	3292	780	364	198	130	62
		Foot – Candle	918	306	73	34	18	12	5.8
	DLH4 – 150 W at 24.4 V (Tungsten, 3400 K)	Lux	17820	4455	1114	496	279	178	90
		Foot – Candle	1656	414	104	46	26	17	8.4
	DLH – 200D (Daylight, 5400 K)	Lux	25740	6435	1609	715	402	257	131
		Foot – Candle	2392	617	150	67	37	24	12

70 – 120 mm f 3.5 (at 120 mm)	Diameter round Ø	cm	19.5	39	78	117	156	195	273
		inch	7.7"	15"	30"	45"	60"	75"	105"
	Size square	cm	14 x 14	28 x 28	55 x 55	83 x 83	110 x 110	138 x 138	193 x 193
		inch	5.5" x 5.5"	11" x 11"	22" x 22"	33" x 33"	44" x 44"	55" x 55"	66" x 66"
	DLH4 – 100 W at 12.4 V (Tungsten, 3400 K)	Lux	26166	6542	1920	718	476	260	125
		Foot – Candle	2432	607	178	67	44	24	38149
	DLH4 – 150 W at 24.4 V (Tungsten, 3400 K)	Lux	46440	11610	2904	1290	726	464	237
		Foot – Candle	4316	1079	270	120	67	43	22
	DLH – 200D (Daylight, 5400 K)	Lux	69120	17280	4320	1920	1080	691	353
		Foot – Candle	6424	1606	402	178	100	64	33

85 – 150 mm f 3.5 (at 85 mm)	Diameter round Ø	cm	30	60	120	180	240	300	420
		inch	12"	24"	47"	71"	94"	118"	165"
	Size square	cm	21 x 21	42 x 42	85 x 85	127 x 127	170 x 170	212 x 212	297 x 297
		inch	8.3" x 8.3"	17" x 17"	33" x 33"	50" x 50"	67" x 67"	83" x 83"	117" x 117"
	DLH4 – 100 W at 12.4 V (Tungsten, 3400 K)	Lux	11160	2790	698	310	174	112	57
		Foot – Candle	1037	259	65	29	16	10	38051
	DLH4 – 150 W at 24.4 V (Tungsten, 3400 K)	Lux	16668	4167	1042	463	260	167	85
		Foot – Candle	1549	387	98	43	24	16	8
	DLH-200D (Daylight, 5400 K)	Lux	36000	9000	2250	1000	563	360	184
		Foot – Candle	3346	836	209	93	52	34	17

85 – 150 mm f 3.5 (at 150 mm)	Diameter round Ø	cm	17.5	35	70	105	140	175	245
		inch	7"	14"	28"	41"	55"	69"	97"
	Size square	cm	12.3 x 12.3	25 x 25	50 x 50	74 x 74	99 x 99	124 x 124	173 x 173
		inch	4.8" x 4.8"	9.8" x 9.8"	20" x 20"	29" x 29"	39" x 39"	49" x 49"	68" x 68"
	DLH4 – 100 W at 12.4 V (Tungsten, 3400 K)	Lux	27144	6786	1697	754	424	271	138
		Foot – Candle	2523	631	158	70	39	25	13
	DLH4 – 150 W at 24.4 V (Tungsten, 3400 K)	Lux	47880	11970	2993	1330	748	479	244
		Foot – Candle	4450	1113	278	124	70	45	23
	DLH – 200D (Daylight, 5400 K)	Lux	99000	24750	6188	2750	1547	990	505
		Foot – Candle	9201	2300	575	256	144	92	47

Dedocool

The special qualities of extreme intensity and low heat are mainly effective at short distances.

Distance	Meter	0.2	0.3	0.4	0.5
	Inch	7.9"	11.8"	15.8"	19.7"

		Lamp: 250 W / 24 V				
dedocool	Lit Diameter	Meter	0.06	0.07	0.09	0.12
		Inch	2.36"	2.76"	3.54"	4.72"
	Intensity	Lux	2,390,000	1,130,000	580,000	370,000
		Foot – Candle	222,031	104,997	53,882	34,737
	Temp	° C	59	42	35	31

Dedolight soft lights: DLH150S, DLH300S, DLH4 x 150S, DLH1000S/SPLUS, DLH200S, DLH400S

Distance	Meter	3
	Feet	9.8'

Distance	Meter	3
	Feet	9.8'

DLH150S	Lamp: 150 W / 24 V at 24.4 V (Tungsten, 3400 K)		
	silver small	Lux	78
		Foot – Candle	7.2
	silver med	Lux	81
Foot – Candle		7.5	

DLH200S	Lamp: 200 W (Daylight, 5500 K)		
	silver small	Lux	245
		Foot – Candle	23
	silver med	Lux	191
Foot – Candle		18	

DLH300S	Lamp: 300 W / 230 V at 230 V (Tungsten, 3200 K)		
	silver small	Lux	70
		Foot – Candle	6.5
	silver med	Lux	73
Foot – Candle		6.7	

DLH400S	Lamp: 400 W at 575 W (Daylight 5500 K)		
	silver med	Lux	645
		Foot – Candle	60
	silver large	Lux	724
		Foot – Candle	67
	octodome	Lux	810
Foot – Candle		75	

DLH4 x 150S	Lamp: 150 W / 24 V at 24.4 V (Tungsten, 3200 K)		
	silver small	Lux	310
		Foot – Candle	29
	silver med	Lux	290
		Foot – Candle	27
	silver large	Lux	255
		Foot – Candle	23
	octodome	Lux	310
Foot – Candle		29	

Conversion factors (see page 93) for soft lights

DLH200S used with a 3200 K ceramic lamp = 0.95

DLH400S run at 400 W = 0.65

DLH1000S	Lamp: 1000 W / 230 V (Tungsten, 3200 K)		
	silver med	Lux	225
		Foot – Candle	21
	silver large	Lux	220
		Foot – Candle	20
	octodome	Lux	340
		Foot – Candle	32

DEDOLIGHT PRODUCT CODE INDEX

36DL400LL	61	DL150	44	DP400GH	29	DSCXLW	59
ADAPTER	54	DL200DHR	31	DP400IR	29	DSOCTD	65
ADAPTER423	43	DL200THR	31	DP400KFS	28	DSOCTDT	65
BASEH	54	DL400HR	18, 19	DP400KU	28	DSOCTT	65
BASEL	54	DL650T27	61	DP400LFS	28, 29	DST	53
BIGPACK1	32, 42	DL750EHF	21	DP400LH	29	DST400	26
BIGPACK2	32, 42	DL1000FEL	21	DP400SH	29	DST400S	26
CLAMP1	53	DL1000FEP	21	DP400SHA	29	DSTFX	53
CLAMP C	54	DLBAT54	41	DP400OU	28	DSTX	53
CLAMPD	54	DLBAT84-1	41	DPACP	45	DT12-4	38
COOLAMP	67	DLBAT84-2	41	DPACP400	26, 29	DT12DC	43
COOLH	55	DLBAT84-13	41	DPAR-O	23	DT24-1	40
COOLSET	67	DLBOX	71	DPARBD	23	DT24-3	39
COOLT3	55	DLCLAMP	53	DPARD1/2/3	23	DT36-1	25
DBD2	45	DLGRIDM	21	DPAR-S	23	DT4x150S	36
DBD400	26	DLGRIDDOCT	19, 21	DPEYEP	52	DTCF	47
DBD8	45	DLGRIDDOCT	19, 21	DPEYESET	29, 52	DTCF400	26
DCAR3	39	DLGRIDS	21	DPFS	49	DTSH	54
DCBAT	56	DLGRIDXS	21	DPG	50	DV6B	53
DCDP400	58	DLH1000S	20, 21	DPGC	50	DWS	53
DCF	47	DLH1000SPLUS	20, 21	DPGG	50	DXBAT4-3	39
DCHD	56	DLH1x150S	35	DPGGC	50	HTP150S	37
DCHD200-1	57	DLH1x300S	37	DPGGH	49	HTP200S	37
DCHD200-3	57	DLH1x300SDIM	37	DPGH	49	HTP300S	37
DCHD3x4	57	DLH200D	31	DPGSET	50	HTP400S	37
DCHD3x6	57	DLH200S	31	DPGSET400	50	HTP4x150S	37
DCHD400	57	DLH4	34	DPIR	49	HTP1000S	37
DCHDCOOL	67	DLH400D	18	DPL60M	48	HX800	79
DCHDKA1	56	DLH400S	19	DPL85M	48	K12B	72
DCHDM4	56	DLH436	25	DPL185M	48	K12M	72, 78
DCHDX	56	DLH4x150S	36	DPLS	45	K12S	72
DCPAR	58	DLH650	24	DPLS400	26	K200-1	69
DDCF	47	DLH650PO	24	DPLZ120M	48	K200-3	69
DDCF400	26	DLHAND	54	DPLZ150M	48	K24B	73
DEB200BAT	32	DLHM4-300	34	DPOW200D	70	K24M	73
DEB200BATAB	32	DLOBA ²	43	DPOW3	39	K24S	73
DEB200BATPAG	32	DLOBA ² -AB	43	DPOW4X	37	K3x400DB	64
DEB200D	32	DLOBA ² -PAG	43	DPOW400D	23	K3x400DS	64
DEB200H	32	DLOBA ² -XLR	43	DPOW436	61	K3x650B	63
DEB400D	18	DLSA	53	DPSH	49	K3x650S	63
DEB400H	26	DLSPLIT	42	DPX	48	K400DB	62
DEDOPAR	22	DLSR1	88	DSBOCT	19, 21	K400DS	62
DEXTCHG	32, 42	DLSR2	88	DSBOCTS	19, 21	K436	63
DFCOL2	47	DLSR70	21, 88	DSBSM	21	KA1B	75
DFGW30	47	DLSR8	88	DSBSS	21	KA1M	75
DFH	45	DLSWI1000	26	DSBSXS	21	KA1S	75
DFH400	26	DLSWI300	32	DSBWM	21	KA24-4B	77
DFSW30	47	DLTFH	47	DSBWS	21	KA24-4M	77
DFT30	47	DLUMT	53	DSC1	58	KA24B	76
DG1105	54	DLWA	45	DSC1-200	59	KA24M	76
DGB	46	DP1	49	DSC2	58	KA24S	76
DGB8	46	DP10	49	DSC2-200	59	KAC24B	74
DGCOL	46	DP2	51	DSC400	59	KAC24M	74
DGCOL8	46	DP20	51	DSCD ^{1/2}	45	KAC24S	74
DGMB	46	DP3	51	DSCD ^{1/2} -400	26	KBAT5	87
DGMB8	46	DP30	51	DSCFD	45	KBAT8	87
DGMD	46	DP400	28	DSCFD400	26	KDP400KFS	66
DGMD8	46	DP400-70	29	DSCFS	45	KDP400KU	66
DGND	46	DP400-100	29	DSCFS400	26	KOB54	87
DGND8	46	DP400-150	29	DSCG	45	KOB84	87
DGRADF03	45	DP400-185	29	DSCG400	26	KPAR	67
DGRADF06	45	DP400-230	29	DSCGP	45	KPAR-1	67
DGRADF09	45	DP4002GR	29	DSCGP400	26	KX	78
DGRADF400	26	DP4002GR+	29	DSCK	45	MG1106	54
DGW	46	DP400CON	28	DSCK400	26	NF1105	54
DH2	53	DP400FH	29	DSCM	59	RE1	88, 89
DHF	49	DP400FS	29	DSCOCT	59	RE2	88, 89
DIMTA3	40	DP400FSF	29	DSCP	45	RE3	88, 89
DL20	44	DP400G	29	DSCP400	26	RE4	88, 89
DL50	44	DP400GC	29	DSCS ^{1/2}	45	S1B	82
DL100	44	DP400GG	29	DSCS ^{1/2} -400	26	S1M	82
DL100-24	44	DP400GGH	29	DSCST	61	S1S	82

S200-2	70	SM24-1	80
S200-2M	70	SM24-300	80
S200-3	70	SM24P	81
S2B	83	SSEN-B	81
S2M	83	SSEN-S	81
S2S	83	STUD6L	54
S3B	84	STUD6M	54
S3M	84	STUD6S	54
S3S	84	STUDL	54
S4	85	STUDL90	54
S400D	62	STUDS	54
S5B	86	STUDV	54
S5M	86	SUPERMAX	78
SBABE-B	81		
SBABE-S	81		
SJUN-B	81		
SJUN-S	81		
SM12	80		

We thank all of the creative professionals who push Dedolight technology to the limit every day on locations around the world. Without their support and encouragement we wouldn't be here today.

We accept their challenges in designing and producing the finest precision lighting instruments in the world.

Dedolight

....dedicated to the art of lighting.



Photo credits

Marek Czarnecki	Front page title Page 9, left column Page 17 Page 27 top
Michel Escourbiac	Page 8, bottom, right
Ahmed Ertug	Page 9, right column Spiritual Journey: Sacred Art from the Musée Guimet www.ertug-kocabiyik.com
Chris Parks	Page 8, Peter Park's portrait www.imagequestmarine.com
Peter Parks	Page 10, right column bottom www.imagequestmarine.com
Taly Noy	Page 10, left column
Angel Penchev	Page 10, top right column
Alex Bercovitch	Page 27, bottom
Marco Erdmann	Page 29

All other photographs by Davor Marinkovic and the team of interns at Dedo Weigert Film GmbH

DEDICATED TO THE ART OF LIGHTING

PRECISION LIGHTING INSTRUMENTS

Dedo Weigert Film GmbH
Phone: +49 (0)89 356 16 01
Fax: +49 (0)89 356 60 86
Karl-Weinmair-Straße 10
80807 Munich
www.dedoweigertfilm.de
info@dedoweigertfilm.de

DEDOTEC USA, INC.
Phone: (413) 229-2550
Fax: (413) 229-2556
48 Sheffield Business Park
Ashley Falls, MA 01222
www.dedolight.com
E-mail: info@dedolight.com

