



## **Compact Prime and Zoom lenses**

Flexibility and performance in a winning combination.



We make it visible.



// FLEXIBILITY  
MADE BY ZEISS

The moment you shout “action!” and feel your story come together.  
**This is the moment we work for.**

**Enjoy absolute flexibility and truly stellar performance. With ZEISS Compact Prime and Zoom lenses.** When you are on a shoot, performance is paramount – regardless of whether it is from your actors, your crew, or indeed your lenses. But oftentimes, flexibility can be just as important as outright performance. That is why we developed the Compact Prime CP.2 lenses, the Lightweight Zoom LWZ.2 and the Compact Zoom CZ.2 lenses – a versatile set of lenses with interchangeable mounts to offer you the greatest possible flexibility in a wide range of focal lengths coupled with truly breathtaking performance. Additionally, their exceptional reliability even in the most challenging environmental conditions allows you to focus on making the most of the moment when talent and technology come together for that perfect scene.



Whether you are shooting a commercial where exquisite color rendition and high contrast is important, or a tense, dramatic sequence in low light situations for a feature film, ZEISS Compact Prime and Zoom lenses offer you the performance you need to get the scene right. With a wide range of focal lengths, full-frame coverage, fantastic image quality, great flare suppression and precise focussing through the large rotation angle, ZEISS Compact Prime and Zoom lenses give you a flexible set of tools to make your film shine.



## High-performance cine lenses that make the most of the moment

ZEISS Compact Prime and Zoom lenses deliver great flexibility thanks to interchangeable mounts, allowing them to be used with a wide range of cameras from traditional cine to HDSLR systems. There is a comprehensive choice of lenses, which all cover the full frame format– from wide-angles to teles (15 to 200 mm, including a 50 mm Macro lens, 35 to 85 mm Super Speed and Zoom lenses). Affordable, flexible and offering the highest quality, the new Compact Prime and Zoom lenses are an invaluable addition to any film set.

**“Compact lenses give me the flexibility and consistent look I need regardless of what format I am shooting. Whether I’m shooting full frame DSLR or Super 35mm, ZEISS Compact lenses deliver the consistency and resolving power I want.”**

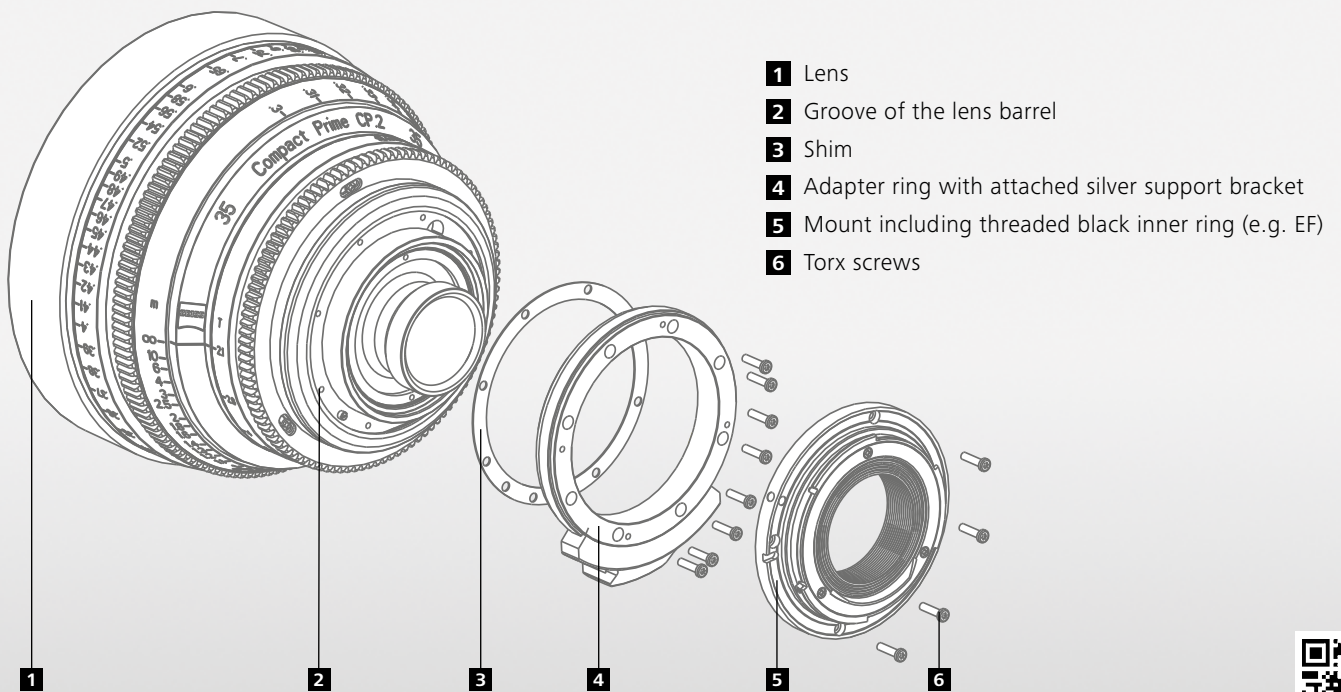
*Den Lennie, Cinematographer, United Kingdom*



**“ZEISS Compact lenses are a future-proof investment I can highly recommend to every cinematographer. No matter which brand of camera I’m working with, because of the interchangeable mount I can always use the same set of lenses without having to buy new lenses for my various camera systems.”**

*Sebastian Wiegärnter, Cinematographer, Germany*





watch Mount Change video at: <http://www.youtube.com/watch?v=NJTewQ-V3rM&feature=youtu.be>

## Unparalleled versatility

The Compact Prime and Zoom lenses are the world's first cine lenses designed for all types of cameras (HDSLR to high-end digital movie cameras). The interchangeable mount guarantees high flexibility for present and future use in any situation and for a wide range of camera platforms.

- Allows a mix of HDSLR systems with professional cine cameras, for maximum flexibility on set
- No need for adapter solutions anymore
- Five different mounts available (PL, EF, F, Micro 4/3 and E mount)



EF mount



Micro 4/3 mount



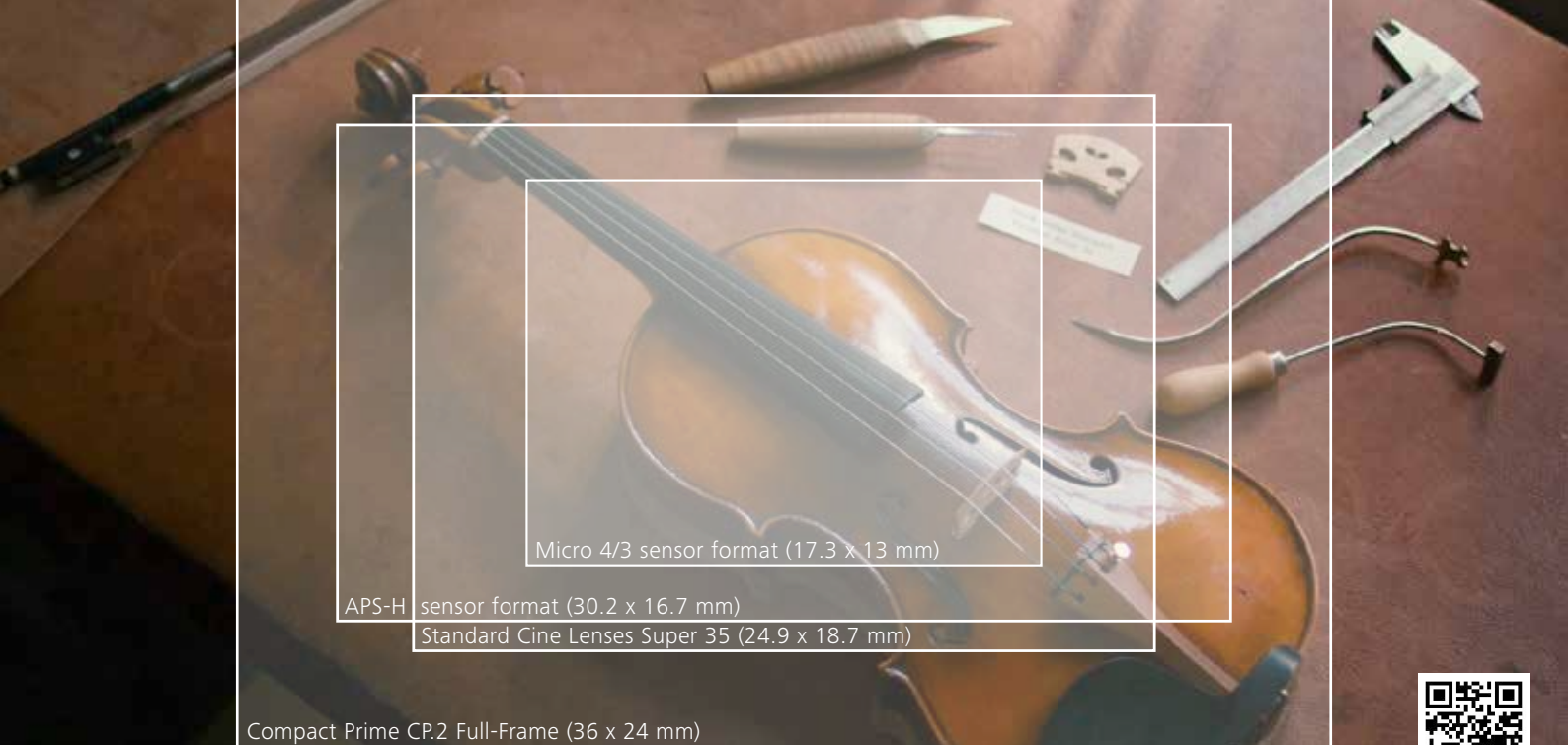
PL mount



F mount



E mount



watch video at: <http://vimeo.com/28343785>

## Future-proof performance with full-frame coverage

ZEISS Compact Prime and Zoom lenses feature exquisite optics in a robust, durable package – two characteristics that will surely remain desirable for decades to come. And thanks to their interchangeable mounts, Compact Prime and Zoom lenses offer the possibility to upgrade to any number of existing or future cine and still cameras while still using the same set of lenses. Additionally, they all cover a full-frame image format without vignetting.<sup>1</sup>

- Full-frame coverage (36 x 24 mm)  
for focal lengths of 15 to 200 mm  
– your future-proof investment  
for all sensor sizes
- Common aperture of T2.1 for the  
standard lens set (LWZ.2: T2.6;  
CZ.2: T2.9; Super Speed: T1.5)
- Sweet spot effect  
with Super 35 sensors

<sup>1</sup> LWZ.2 only Super 35 and CP.2 18 mm  
T3.6 also APS-H



watch video at: <https://vimeo.com/39190023>



## Unrivalled image quality – ready for 4k!

ZEISS Compact Prime and Zoom lenses are precision engineered within the tightest possible tolerances. This guarantees you excellent image quality with low distortion, high resolution and excellent color rendition for sharp, punchy pictures.



- High resolution and contrast; ready for 4k
- Excellent color correction
- Great flare suppression through T\* anti-reflex coating and internal light traps
- Low distortion
- Round out-of-focus highlights
- Color matched





## Compact Zoom CZ.2 lenses

Get closer to the action.

The new Compact Zoom CZ.2 lenses are as versatile as they are powerful and incorporate features never seen before on lenses of this kind. They are handy, compact, ready for 4k and even offer full-frame coverage. With their zoom lengths of 28 – 80 mm and 70 – 200 mm, they give you a wide range of creative options. Their compact size and light weight make them the ideal companions for even the most ambitious applications, including handheld, Steadicam and projects in confined spaces. And thanks to their robust, cine-style housing (which also allows for the use of a follow-focus system), their full-frame coverage and interchangeable mounts, they will be reliable partners for years to come.

The completely new design and innovative drive technology of the Compact Zoom CZ.2 series eliminate the focus shift and enable a totally reliable image outcome. The lenses are also ideal for top-quality movies, feature film productions and documentaries. With their outstanding color matching, typical of ZEISS, they make an optimal addition to all ZEISS Prime Lenses – Master Prime, Ultra Prime and Compact Prime.







watch video at: <http://vimeo.com/39194702>



- Interchangeable mount
- Full-frame coverage (36 x 24 mm)
- No focus shift over the zoom range
- Robust cine-style housing
- Great flare suppression
- Calibrated focus scales
- 4K capability
- nearly 300 degree focus rotation
- colormatched with all ZEISS Prime lenses
- round iris for organic look





## Compact Prime CP.2 lenses

A winning ensemble.

One of the most important aspects of a successful production is the competence and diversity of your team. And surely, this should apply to your set of lenses as well. The full range of Compact Prime CP.2 lenses gives you not only the flexibility you need but also the competence and high performance you expect from your equipment. With its long history in both photo and cine lenses, ZEISS is dedicated to supporting filmmakers and allowing you to benefit from the highest possible image quality in any situation.

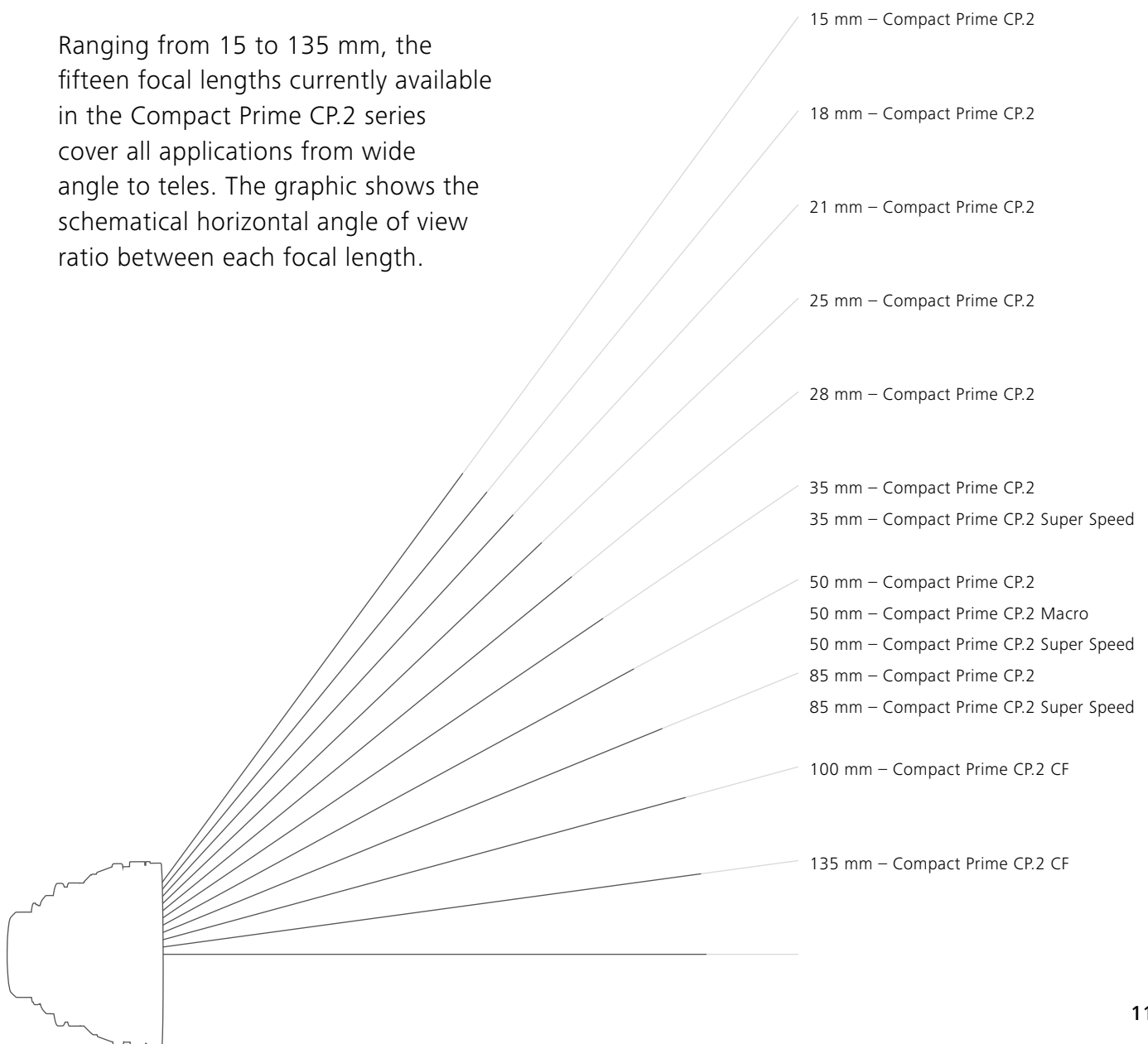
- Interchangeable mount
- Full-frame coverage (CP.2 18 mm APS-H maximum coverage)
- Longer focus rotation and a manual focus and iris
- Robust cine-style housing with the ability to utilize follow-focus
- Standard focus and iris gear positions
- Consistent front diameter (except 50 Macro)
- Calibrated focus scales
- Manual, continuous aperture control



watch video at: <https://vimeo.com/47190382>

## Horizontal angle of view, regardless the format

Ranging from 15 to 135 mm, the fifteen focal lengths currently available in the Compact Prime CP.2 series cover all applications from wide angle to teles. The graphic shows the schematical horizontal angle of view ratio between each focal length.





watch video at: <http://vimeo.com/39266449>

## Compact Prime CP.2 Super Speed lenses

Take flexibility even further.

The new Compact Prime CP.2 Super Speed lenses are an ideal complement to the existing range of CP.2 lenses. The aperture of T1.5 gives you an even wider range of creative possibilities when shooting in low light environments or when aiming to achieve a cinematic shallow depth of field. Giving you the freedom to experiment and the flexibility to make your unique vision become reality.

- Interchangeable mount
- Full-frame coverage
- T1.5 for use in low-light situations and for cinematic depth of field
- Compact size and low weight of 0.9 to 1.1 kg
- Standard focus and iris gear positions
- Consistent front diameter
- Longer focus rotation and a manual focus and iris
- Calibrated focus scales
- Manual, continuous aperture control





watch video at: <http://www.youtube.com/watch?v=DdwckqTUUAAs>

## Accessories

### Safety and flexibility for your equipment.

It is not uncommon to have harsh climatic conditions and unforgiving terrain on a shoot. The tailor-made transport case assures greatest safety for your lenses at all times. And with the interchangeable mount set high flexibility in any situation with any camera is always guaranteed.



In order to use the Compact Prime and Zoom lenses on various cine style cameras, we developed an interchangeable mount set (PL, EF, F, Micro 4/3, or E mount) to offer you maximum flexibility on set – no need for adapter solutions anymore.

- Interchangeable mount set consisting of: mount, shims, rear cap, support bracket (except for PL mount) and screws
- Siemens star test chart
- Pre-adjusted Torx torque wrench



To keep your Compact Prime and Zoom lenses safe and ensure uncomplicated transport, we developed a carrying case which is as flexible as the lenses themselves. It has been tested to guarantee maximum protection and can be used for all focal lengths and combinations. Also, the lenses are stored on their sides, making it easy to see their aperture rating, allowing for a quick change when necessary.

- Three versions: 4 lens case, 6 lens case and one for a Zoom lens
- Convenient hand recess for easy handling
- Individual inlays to customize transport case

# Technical data

## Compact Prime lenses

	Aperture	Close Focus <sup>1</sup>	Length <sup>2</sup>	Front diameter	Weight	Horizontal Angle of View					
						Full-Frame <sup>3</sup>	APS-H <sup>4</sup>	Super 35 <sup>5</sup>	Normal 35 <sup>6</sup>	APS-C <sup>7</sup>	MFT <sup>8</sup>
<b>CP.2 15 mm/T2.9</b>	T 2.9 to T 22	0.3 m 12"	86 mm 3.39"	114 mm 4.5"	0.9 kg 2.0 lbs	100°	90°	79°	73°	73°	60°
<b>CP.2 18 mm/T3.6</b>	T 3.6 to T 22	0.3 m 12"	80 mm 3.15"	114 mm 4.5"	0.9 kg 2.0 lbs	-	80°	69°	63°	64°	51°
<b>CP.2 21 mm/T2.9</b>	T 2.9 to T 22	0.24 m 10"	80 mm 3.15"	114 mm 4.5"	1.0 kg 2.2 lbs	81°	71°	61°	55°	56°	45°
<b>CP.2 25 mm/T2.1</b>	T 2.1 to T 22	0.26 m 10"	80 mm 3.15"	114 mm 4.5"	0.9 kg 2.0 lbs	72°	62°	53°	47°	48°	38°
<b>CP.2 28 mm/T2.1</b>	T 2.1 to T 22	0.24 m 10"	80 mm 3.15"	114 mm 4.5"	1.0 kg 2.2 lbs	65°	57°	48°	43°	43°	34°
<b>CP.2 35 mm/T2.1</b>	T 2.1 to T 22	0.3 m 12"	80 mm 3.15"	114 mm 4.5"	1.0 kg 2.2 lbs	54°	47°	39°	35°	35°	28°
<b>CP.2 50 mm/T2.1</b>	T 2.1 to T 22	0.45 m 18"	80 mm 3.15"	114 mm 4.5"	0.9 kg 2.0 lbs	40°	34°	28°	25°	25°	20°
<b>CP.2 85 mm/T2.1</b>	T 2.1 to T 22	1 m 3'3"	80 mm 3.15"	114 mm 4.5"	0.9 kg 2.0 lbs	24°	20°	17°	15°	15°	12°
<b>CP.2 100 mm/T2.1 CF<sup>9</sup></b>	T 2.1 to T 22	0.7 m 2'6"	132 mm 5.19"	114 mm 4.5"	1.5 kg 3.3 lbs	20°	17°	14°	13°	13°	10°
<b>CP.2 135 mm/T2.1</b>	T 2.1 to T 22	1 m 3'3"	149 mm 5.86"	114 mm 4.5"	1.6 kg 3.5 lbs	15°	13°	11°	9°	9°	7°
<b>CP.2 50 mm/T2.1 Macro<sup>10</sup></b>	T 2.1 to T 22	0.24 m 10"	132 mm 5.19"	134 mm 5.3"	1.4 kg 3.0 lbs	40°	34°	28°	25°	25°	20°
<b>CP.2 35 mm/T1.5 Super Speed</b>	T 1.5 to T 22	0.3 m 12"	91 mm 3.58"	114 mm 4.5"	1.1 kg 2.4 lbs	54°	47°	39°	35°	35°	28°
<b>CP.2 50 mm/T1.5 Super Speed</b>	T 1.5 to T 22	0.45 m 18"	80 mm 3.15"	114 mm 4.5"	0.9 kg 2.0 lbs	40°	34°	28°	25°	25°	20°
<b>CP.2 85 mm/T1.5 Super Speed</b>	T 1.5 to T 22	1 m 3'3"	80 mm 3.15"	114 mm 4.5"	0.9 kg 2.0 lbs	24°	20°	17°	15°	15°	12°

# Technical data

## Compact Zoom lenses

	Mount	Aperture	Focal Length (Wide/Long)	Close Focus <sup>1</sup>	Length <sup>2</sup>	Front diameter	Weight	Horizontal Angle of View						
								Full- Frame <sup>3</sup>	APS- H <sup>4</sup>	Super 35 <sup>5</sup>	Normal 35 <sup>6</sup>	APS- C <sup>7</sup>	MFT <sup>8</sup>	
<b>CZ.2</b> <b>28 – 80 mm</b> <b>T2.9</b>	PL, EF, F, E, MFT	T 2.9 to T 22	28 mm/ 80 mm	0.83 m 2,8 ft	196 mm 7.72"	95 mm 3.7"	2.5 kg 5.5 lbs	Wide Long	66° 25°	57° 21°	48° 18°	43° 16°	43° 16°	34° 12°
<b>CZ.2</b> <b>70 – 200 mm</b> <b>T2.9</b>	PL, EF, F, E, MFT	T 2.9 to T 22	70 mm/ 200 mm	1.52 m 5 ft	250 mm 9.84"	95 mm 3.7"	2.8 kg 6.2 lbs	Wide Long	29° 10°	24° 9°	20° 7°	18° 6°	18° 6°	14° 5°

<sup>1</sup> Close focus distance is measured from the image plane; <sup>2</sup> Front to PL mount flange; <sup>3</sup> Horizontal angle of view for a full-frame camera aperture (aspect ratio 1:1.5, dimensions 36 mm x 24 mm / 1.42" x 0.94"); <sup>4</sup> Horizontal angle of view for an APS-H camera aperture (aspect ratio 1:1.81, dimensions 30.2 mm x 16.7 mm / 1.19" x 0.66"); <sup>5</sup> Horizontal angle of view for an ANSI Super 35 Silent camera aperture (aspect ratio 1:1.33, dimensions 24.9 mm x 18.7 mm / 0.98" x 0.74"); <sup>6</sup> Horizontal angle of view for a Normal 35 Academy camera aperture (aspect ratio 1:1.37, dimensions 22 mm x 16 mm / 0.87" x 0.63"); <sup>7</sup> Horizontal angle of view for an APS-C camera aperture (aspect ratio 1:1.50, dimensions 22.3 mm x 14.9 mm / 0.88" x 0.59"); <sup>8</sup> Horizontal angle of view for a Micro 4/3 (MFT) camera aperture (aspect ratio 1:1.33, dimensions 17.3 mm x 13 mm / 0.68" x 0.51"); <sup>9</sup> CF: Close focus capability; <sup>10</sup> Exposure Compensation is labeled next to the magnification factor

**Carl Zeiss AG**  
Camera Lens Division  
73446 Oberkochen  
Germany

Phone: +49 7364 20-6175  
Fax: +49 7364 20-4045  
[www.zeiss.com/cine](http://www.zeiss.com/cine)