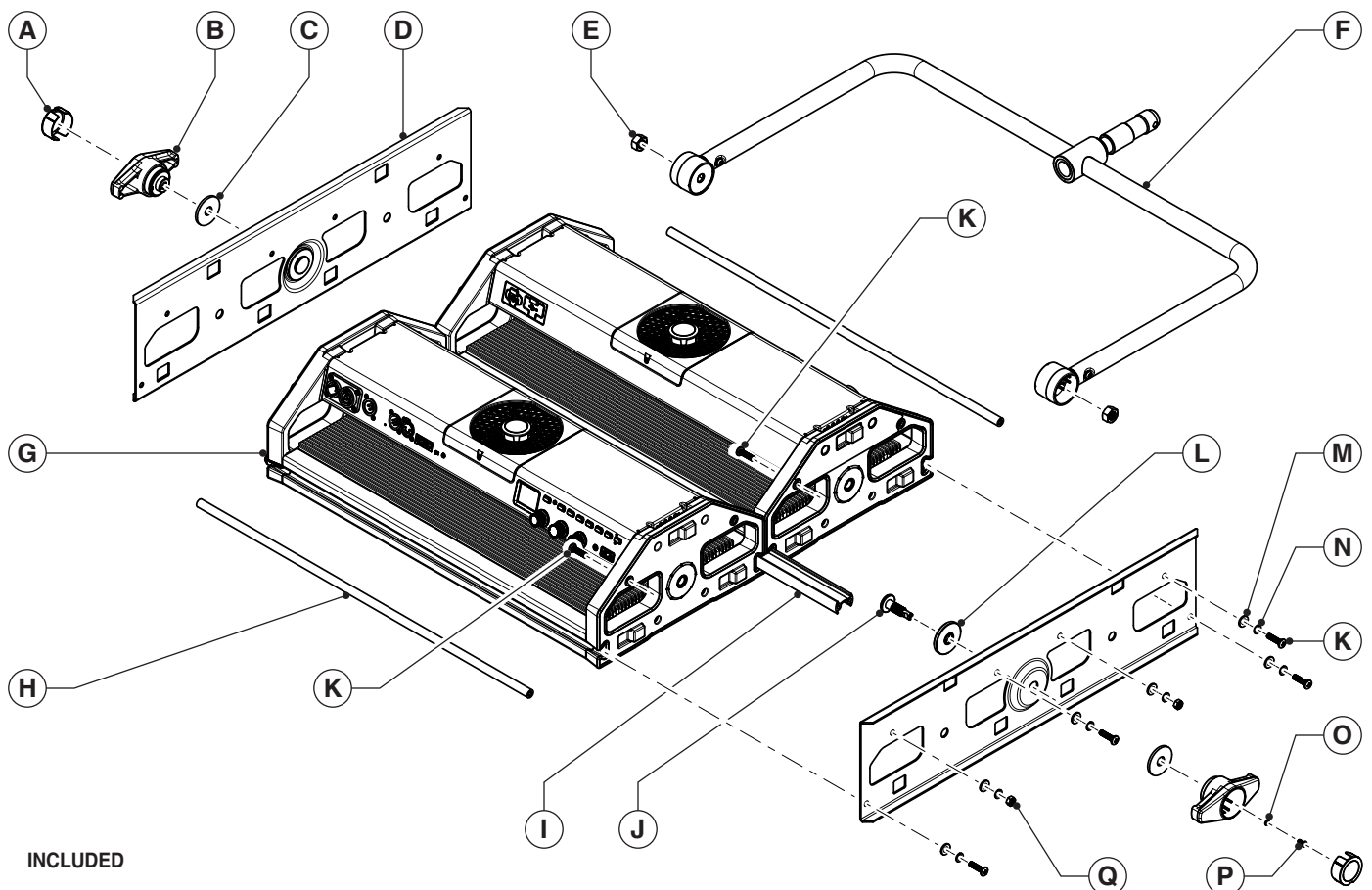


SAFETY INFORMATION

- To clean the array kit or GEMINI light fixtures (not included), wipe with a clean, dry, non-abrasive cloth only.
- Do not restrict air flow around GEMINI light fixtures. Keep fixture air intakes and air exhaust space clear of obstruction.
- Do not use, mount, transport, or store a GEMINI near radiators, space heaters, ovens, stoves, heat registers, open flame, or any heat source, or in an environment with an ambient temperature greater than 65°C [149° F].
- The GEMINI is suitable for operation only in an environment as follows: ambient air temperature between -20°C and 45°C [between -4°F and 113°F]; less than 85% relative humidity (RH), no condensation. Use in a dry environment; do not place on a wet surface or submerge the GEMINI in liquid.
- **WARNING:** Tampering with or disassembling the GEMINI may result in electric shock and will void the manufacturer's warranty.
- **WARNING:** To reduce the risk of electric shock or fire, do not expose the GEMINI to rain, moisture, or liquids.
- Immediately consult with qualified Litepanels® service personnel if any of the following have occurred: The fixture has been dropped or impacted; the power cable has been damaged; the fixture has been exposed to rain, moisture, or liquid; or the fixture does not operate normally.
- **WARNING:** Carefully follow kit assembly instructions below. Kits are designed for use only with Litepanels® GEMINI light fixtures. Use only hardware and accessories provided or approved by Litepanels®. Use only with qualified mounting or stand equipment rated to support the full weight of the kit assembly.

Approximate weight of Two-By-One Dual Array Kit with two GEMINI light fixtures = 24 kg [52 lbs.]

Approximate weight of Two-By-Two Quad Array Kit with four GEMINI light fixtures = 44 kg [97 lbs.]



INCLUDED

Two-By-One Dual Array

- | | | |
|------------------------------------|-----------------------------------|--|
| (A) LOGO CAP (2 PLACES) | (G) GEMINI (NOT INCLUDED) | (M) 1/4-20 FLAT WASHER (12 PLACES) |
| (B) YOKE KNOB (2 PLACES) | (H) TENSION ROD (2 PLACES) | (N) 1/4-20 LOCK WASHER (12 PLACES) |
| (C) YOKE WASHER, RUBBER (2 PLACES) | (I) ALIGNMENT RAIL | (O) M4 LOCK WASHER (IF INCLUDED, 2 PLCS) |
| (D) END PLATE (2 PLACES) | (J) YOKE PIN (2 PLACES) | (P) M4 SCREW (IF INCLUDED, 2 PLCS) |
| (E) M12 LEFT HAND NUT (2 PLACES) | (K) 1/4-20 SCREW (12 PLACES) | (Q) 1/4-20 HEX NUT (4 PLACES) |
| (F) YOKE | (L) YOKE WASHER, PLASTIC (2 PLCS) | |