

sachtler

System aktiv14T flowtech100 GS

Sachtler system aktiv14T Touch & Go with flowtech100 tripod, ground spreader, carry handle and bag

SKU: S2076T-FTGS



Sachtler System aktiv14T flowtech100 with sideload and ground spreader

Weighing only 7.4 kg (16.3 lbs.) the aktiv14T flowtech100 system is both lightweight and durable, designed to be a long-serving and high-performing part of your kit. This system is the perfect choice for professional medium-sized camcorders and digital cine camera set ups of up to 16 kg (35.3 lbs.). 15 counterbalance steps allow for fast and precise balancing of your camera. Its Touch & Go mechanism with a sliding range of 70 mm make loading and positioning the camera quick and easy. Seven drag settings provide smooth and fast options to adjust drag performance without jolts or vibrations. The illuminated PrismBubble with top or side view makes levelling easy from any height.

Fluid Head

The aktiv14T fluid head with unique SpeedLevel™ technology can be levelled in seconds giving you time to get the perfect shot in documentary, corporate, news or wildlife applications. The SpeedSwap™ system delivers the fastest way to switch between tripod and slider in seconds giving you ultimate flexibility.

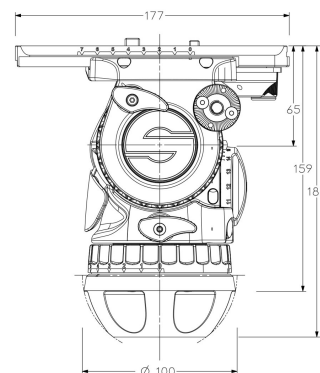
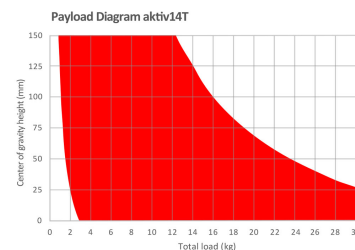
Tripod

Capture the widest range of shots in the shortest time with aktiv14T combined with flowtech100. With no bowl clamp required, flowtech can go flat to the ground for extreme low-angle shots – using the versatile hinge lock mechanism of flowtech. The system delivers the widest height range. The 2-stage carbon fibre flowtech tripod with high torsional stiffness has unique quick release brakes which can be deployed and adjusted in an instant. Its ergonomic design makes the tripod comfortable to carry, on shoulder or carry handle, no matter where your creativity takes you. flowtech comes with a quick attach ground spreader with foot controls for adjustment. When you are ready to move on, the legs are hold together by a magnetic lock for transportation.



Technical Specifications

Feature	Value
Range	aktiv
Pan bar count	1
Payload	0 to 16 kg
Bowl size	100 mm
Spreader type	Ground spreader
Material	Carbon Fibre
Transport length	870 mm
Tripod stages	2
Weight	7.40 kg
Height Range without spreader	0.23 to 1.70 m
Height With Ground Spreader	0.60 to 1.76 m
Temperature range	-40 to 60 °C
Tilt range	90° to -70°
Sliding range	120 mm
Interface Compatibility	Touch & Go
Counterbalance	15 + 0 counterbalance steps
Drag	7 + 0 drag settings



What's in the box?

aktiv™14T fluid head with Touch & Go plate 16 and one telescopic pan bar DV 75; flowtech® tripod 100 with ground spreader, carry handle, attachment mount; padded bag ENG

- Pan bar DV right (telescopic)
- Touch & Go Plate 16
- flowtech® attachment mount
- Ground spreader flowtech®
- Tripod flowtech® 100 GS
- Padded bag ENG
- Carry handle flowtech, rotating



