

NEW

UHD-DIGISUPER 66

UJ66x9B 9-600mm 1:1.7

IMAGE
STABILIZER**4K** UHDxS

CANON 4K UHDxS UJ66X9B BROADCAST LENS

The UHD-DIGISUPER 66 (UJ66x9B) is our first 4K compatible medium telephoto broadcast lens, delivering 66x magnification and the operability of a 2/3" HD field lens, making it ideal for a wide range of long focal length applications in the field, large studios, and special venues. Featuring advanced design technologies, optical components and manufacturing processes, the lens supports 4K UHD broadcast cameras, helping to ensure high resolution from the center to edges of the screen, resulting in superb optical performance.



4K UHD-DIGISUPER UJ66X9B BROADCAST LENS

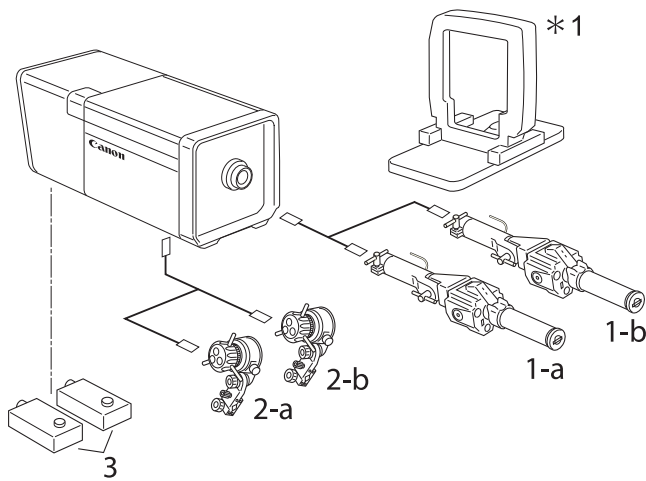
PRODUCT NAME: UJ66X9B 9-600MM 1:1.7

SPECIFICATIONS

BUILT-IN EXTENDER	1.0x	2.0x
FOCAL LENGTH	9-600mm	18-1200mm
ZOOM RATIO	66x	
MAXIMUM RELATIVE APERTURE	1:1.7 at 9-340mm 1:3.0 at 600mm	1:3.4 at 18-680mm 1:6.0 at 1200mm
ANGULAR FIELD OF VIEW	56.1° x 33.4° at 9mm 0.92° x 0.52° at 600mm	29.9° x 17.1° at 18mm 0.48° x 0.26° at 1200mm
M.O.D.	3.0m	
OBJECT DIMENSIONS AT M.O.D.	287.9 x 161.9 cm at 9mm 4.4 x 2.5 cm at 600mm	144.0 x 81.0 cm at 18mm 2.2 x 1.3 cm at 1200mm
APPROX. SIZE (W x H x L)	9.9 x 10.1 x 24.0 in (250.6 x 255.5 x 610mm)	
APPROX. MASS	51.1 lbs (23.2kg)	

RECOMMENDED LENS SYSTEM / ACCESSORIES

UHD-DIGISUPER 66



Compatibility of Accessories for UHD-DIGISUPER 66

No.	Description	Model Name
1-a	Digital Zoom Demand	ZDJ-P01
1-b	Digital Zoom Demand	ZDJ-D02
2-a	Digital Focus Demand	FDJ-P01
2-b	Digital Focus Demand	FDJ-D02
3	Servo Module	SMJ-E01 (2 pics)
—	Protection Filter	PFJ-951
—	IS Switch	SBJ-IS2

*1. Lens Supporter is necessary for portable camera mounting.

Certain images and effects are simulated. Specifications and availability subject to change without notice. Products not shown to scale. Weight and dimensions are approximate. Not responsible for typographical errors.

© 2018 Canon U.S.A., Inc. All rights reserved. Canon is a registered trademark of Canon Inc. in the United States and may also be a registered trademark or trademark in other countries. All other product names, brand names and logos are trademarks or service marks of their respective owners.

Canon makes no representations or warranties with respect to any third party accessory or product mentioned herein.

Use of genuine Canon accessories is recommended; these products are designed to perform optimally when used with genuine Canon accessories.



Canon U.S.A., Inc.
One Canon Park
Melville, NY 11747 U.S.A.

For more info:
pro.usa.canon.com

@CanonUSApro

@CanonUSA

@CanonUSAprovideo

@CanonUSA

0212W485 4/18 PRINTED IN U.S.A.