

Roland

V-40HD

MULTI-FORMAT VIDEO SWITCHER

HDMI

DVI-D

RGB

COMPONENT

COMPOSITE

**Four Multi-Format Channels
at the Pinnacle of HD Picture Quality.**



Easy operation and a diverse range of features for the expert or casual user.

A multi-format video switcher featuring four inputs and three outputs.



The V-40HD is equipped with four input systems (Inputs 1-4). Each of these systems has three types of input connectors — HDMI, RGB/Component, and Composite — allowing you to connect a total of twelve video devices. For output, the V-40HD provides three systems: Output 1 (HDMI/RGB/Component/Composite), Output 2 (HDMI/RGB/Component), and Preview (HDMI).

Stellar Image Quality at 1080p



Supports 1080p video signals - twice the rate of conventional HD and uses 4:4:4/10-bit internal signal processing. This asserts all the vividness of high-realism, high-detail camera and computer sources.

*Output signal processing is 4:2:2/8-bit.

True HDCP mode. Switching and composition are possible even for fully HDCP-encoded output signals



The V-40HD features an HDCP mode that lets you input and switch commercial digital video from sources such as Blu-ray Discs or game consoles encoded using HDCP digital copyright management technology. This lets you produce video with unrestricted freedom — for instance, compositing a video feed from a Blu-ray Disc or tablet computer against a background from a live camera. Output to a display can be made via HDMI.

*Commercial use of content requires the permission of the copyright-holder.

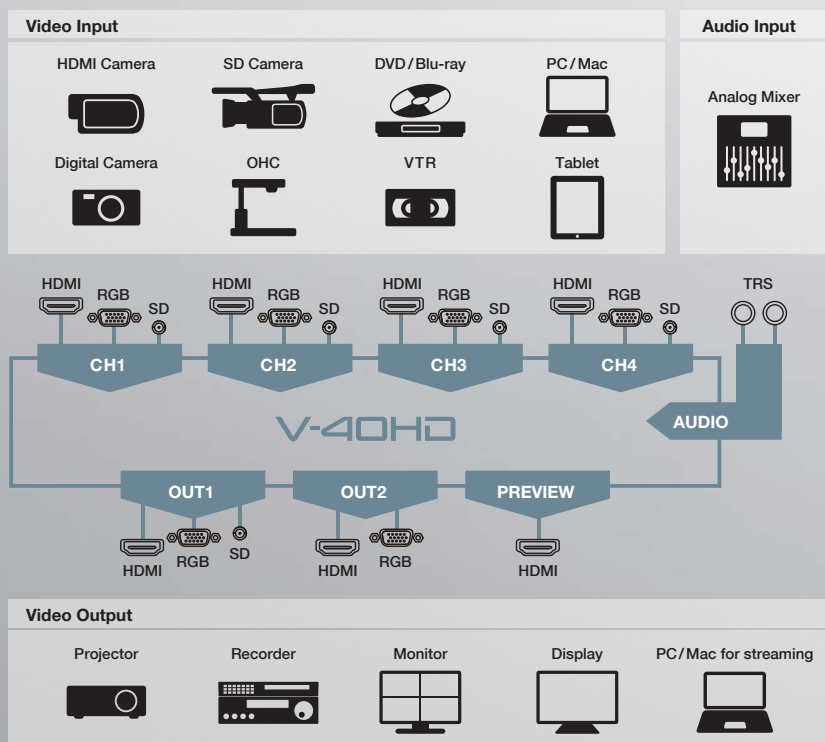
*In HDCP mode, only DVI-D/HDMI output can be used. Use of Component and Composite output is not possible.

*The display or projector connected to DVI-D/HDMI output must support HDCP.

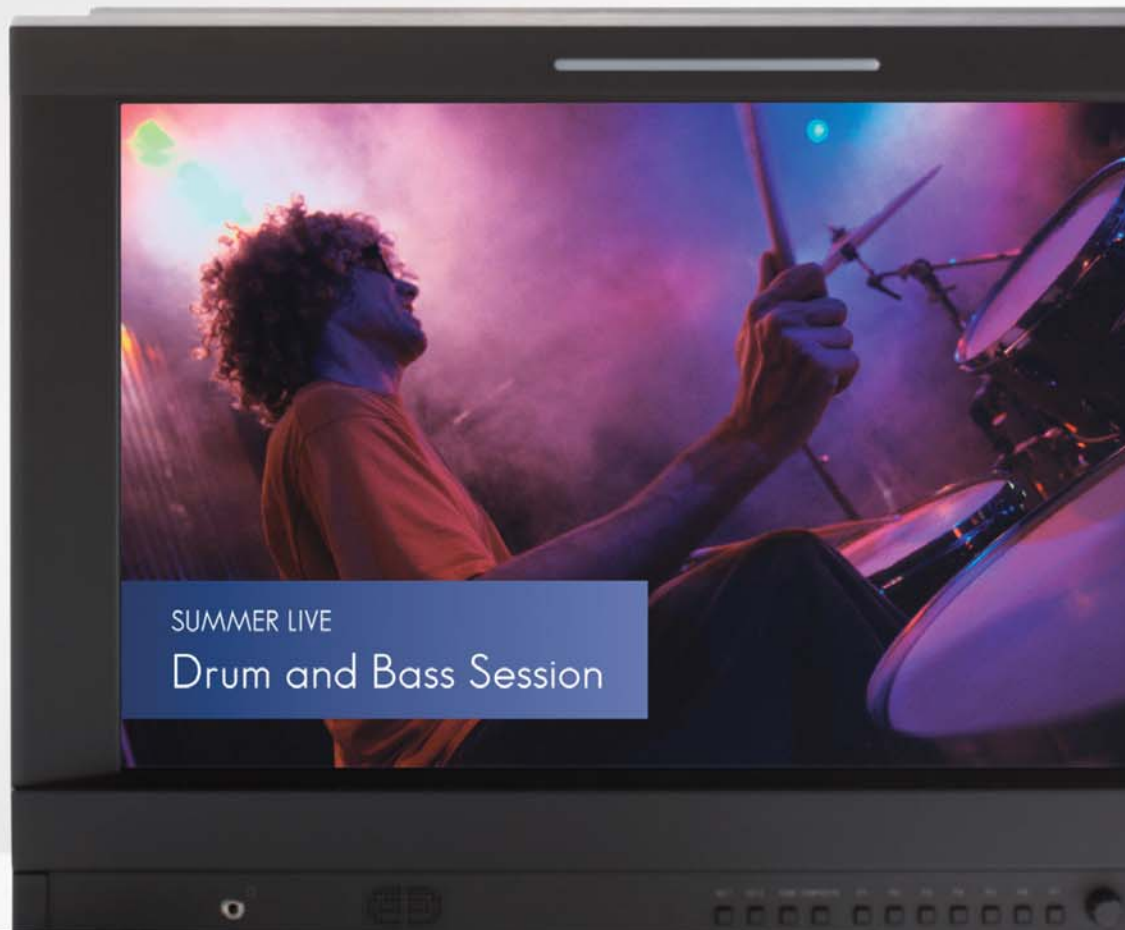
Audio embedding feature makes it possible to insert and synchronize analog audio input with HDMI-output video.



The V-40HD can input background music, narration, or other analog sound sources, mix and sync the video and audio, and then output the result via HDMI.



*RGB connectors support RGB or component signals.



MULTI-FORMAT VIDEO SWITCHER
V-40HD

- 4 Inputs (HDMI/RGB/Component), 3 Outputs (HDMI/RGB/Component/Composite + HDMI/RGB/Component + HDMI)
- 4:4:4/10-bit Internal Processing (*4:2:2/8-bit Output Processing)
- 1 M/E (PinP) + DSK
- Built-in frame synchronizers and scalers on all inputs
- Input status LEDs
- Full HDCP support
- Preview monitor output (Four-way split screen for Inputs, PST, PGM, or DSK)
- Audio embedding
- Audio delay to align the timing with video for perfect lip sync

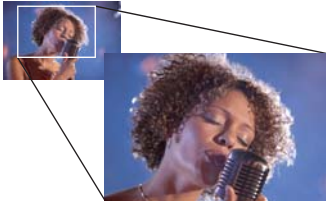
Intuitive operation for a wide range of features.

INPUT

SCALING

Zoom and Adjustment.

The V-40HD features scalers that let you make settings independently for every input source. With these, you can take input sources of different resolutions and adjust to any sizing.



INPUT Selectors

Select from among HDMI, RGB/Component, and Composite as the connector for each input.

With just one touch, you can access the video source from any of the three pieces of equipment connected to the respective inputs.

INPUT Connectors 1 - 4

Support for three formats per input. [HDMI] Up to WUXGA, 1080p [RGB/Component] Up to WUXGA, 1080p [Composite] 480i or 576i

HDMI inputs support an embedded audio signal.

AUDIO INPUT

Mix analog audio into HDMI video.

The V-40HD is equipped with inputs for analog audio equipment. This enables you to embed analog audio in the HDMI video output.

FANLESS

Designed for low-noise operation that won't get in the way of your production.

The design of the V-40HD features excellent heat-radiating efficiency, resulting in fanless operation. In addition to ensuring quietness, this eliminates the space needs for a cooling fan, achieving a compact size even with a large number of connectors.





OUTPUT

OUTPUT Selectors

Three types of output formats to choose from.

Select SD, HD, or RGB simply by pressing a button.

Default Settings (can be changed)

SD	480i
HD	1080i
RGB	XGA (1024 x 768)

*You can select other format on the menu.

*The format of PVW OUT cannot be changed. (1920x1080/60Hz fixed)

PVW (Preview) Selectors

Chooses the view displayed on a preview monitor.

Select a four-way split screen, PST, PGM or DSK to display.

*The resolution and refresh rate of monitor output is fixed at 1920 x 1080/60 Hz (progressive).

*Use an HDMI monitor that supports HDCP and 60p signals.

*When INPUT is selected (four-way split), the sources are displayed using a reduced frame rate.



Output Connectors

Connect monitors, projectors, or recording equipment.
 [HDMI] Up to WUXGA, 1080p
 [RGB/Component] Up to WUXGA, 1080p
 [Composite] 480i or 576i

*In HDCP mode, no video signals are output from the RGB/Component and composite connectors.

EFFECTS

DSK (Downstream Keyer)

Composite logos and text into output video.

You can overlay logos and text onto composited and switched video. Scene transitions underneath logos or text that remain displayed is possible.



PinP

Two images can be combined into one video image.

You can select any of four positions for an inset screen: top left, bottom left, top right, or bottom right. You can also freely adjust the size of the inset screen.



WIPE PATTERN

Easy selection of video transition effects.



VIDEO FADER

Switch the sources at the speed you want.

Using the video fader (T-bar) lets you carry out scene transitions, fade-ins, and fade-outs manually at exactly the speed you want.

FUNCTIONS

MEMORY

Save panel settings.

You can save the V-40HD's settings in internal memory. Each of the five memory banks can hold five sets of settings, letting you save a total of 25 configurations.



CONTROL INTERFACE

[MIDI]

Controllable the V-40HD via any MIDI device.

A Roland digital audio mixer like the M-200i V-Mixer can link to the V-40HD for audio-follows-video application. Connect another V-40HD for more inputs.



[RS-232C]

Use RS-232C for integrated remote control.

It's possible to connect a computer, wall panel or other remote device and use it to control switching, effects, and other operations.

USB PORT

For saving the internal memory.

This lets you connect a USB flash drive and save the internal memory to it.

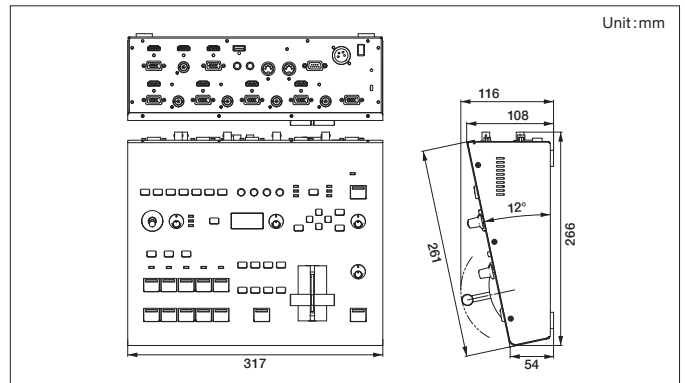
What's HDCP?

HDCP is encoding technology present in the HDMI output from sources such as commercial Blu-ray Discs, digital broadcast tuners, and game consoles that prevents illicit copying. With ordinary HDMI equipment, it's not possible to process or composite HDCP-encoded video sources. Equipment that has an HDCP mode, such as the V-40HD, is capable of using these video sources. It can combine HDCP-encoded sources with each other and with other content to achieve switching, compositing, and display.

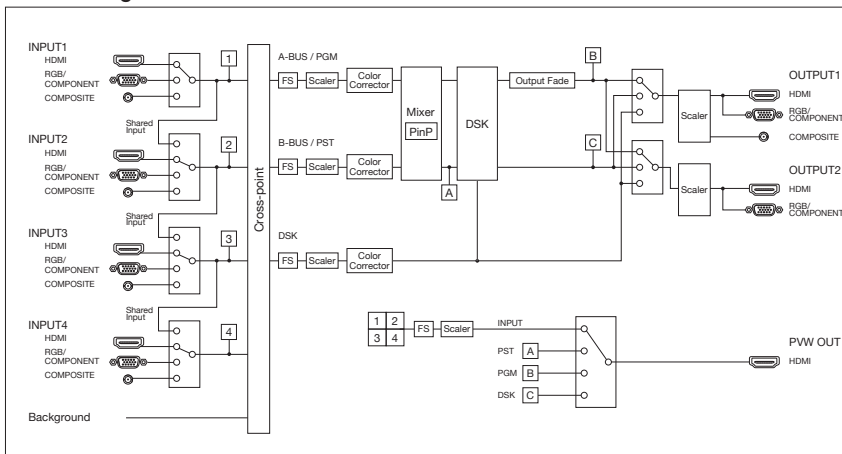
Specifications V-40HD: Multi-Format Video Switcher

Video processing		Other jacks		Audio effects	
Sampling rate 4:4:4 (Y/Pb/Pr), 10 bits *Output signal processing is 4:2:2/8-bit.		Tally HD DB-15 type x 1 (max input: 12 V/200 mA, Open collector type)		Delay 0.0-12.0 frames	
Audio processing		MIDI 5 pins DIN type x 2 (IN, OUT/THRU)		Others	
Sampling rate 24 bits/48 kHz, 2ch		RS-232C 9 pins D-sub type x 1		Display 7 segments, 3 characters LED	
Input formats		USB A type x 1 (host, for USB memories)		Power Supply DC 12 V (AC Adaptor)	
HDMI video 480/59.94i, 576/50i, 480/59.94p, 576/50p, 720/59.94p, 720/50p, 1080/59.94i, 1080/50i, 1080/59.94p, 1080/50p 640 x 480/60 Hz, 800 x 600/60 Hz, 1024 x 768/60 Hz, 1280 x 768/60 Hz, 1280 x 1024/60 Hz, 1366 x 768/60 Hz, 1400 x 1050/60 Hz, 1600 x 1200/60 Hz, 1920 x 1080/60 Hz, 1920 x 1200/60 Hz * The video signal frame rate must match with the unit's frame rate setting. * Conforms to VESA DMT Version 1.0 Revision 11. * 1920 x 1200/60Hz: Reduced blanking		Signal level / Impedance		Current Draw 2.6A	
HDMI audio Linear PCM, 24 bits/48 kHz, 2ch		RGB/Component Signal level: 0.7Vp-p (H,V:5VTTL) Impedance: 75 ohms		Dimensions 317(W) x 266(D) x 108(H) mm, 12-1/2(W) x 10-1/2(D) x 4-1/4(H) inches	
RGB/Component 480/59.94i, 576/50i, 480/59.94p, 576/50p, 720/59.94p, 720/50p, 1080/59.94i, 1080/50i, 1080/59.94p, 1080/50p 640 x 480/60 Hz, 800 x 600/60 Hz, 1024 x 768/60 Hz, 1280 x 768/60 Hz, 1280 x 1024/60 Hz, 1366 x 768/60 Hz, 1400 x 1050/60 Hz, 1600 x 1200/60 Hz, 1920 x 1080/60 Hz, 1920 x 1200/60 Hz * The video signal frame rate must match with the unit's frame rate setting. * Conforms to VESA DMT Version 1.0 Revision 11. * 1920 x 1200/60Hz: Reduced blanking		Composite Signal level: 1.0 Vp-p (luminance), 0.286 Vp-p (chroma(NTSC)), 0.3 Vp-p (chroma(PAL)) Impedance: 75 ohms		Weight 3.4 kg, 7 lbs 8 oz (excluding AC Adaptor)	
Composite NTSC, PAL		Analog audio Nominal input level: +4 dBu Maximum Input Level: +22 dBu Impedance: 15 k ohms		Accessories AC Adaptor (4 pins XLR type connector), Power Cord, RCA-BNC conversion plug x 4, Owner's manual	
Output formats		Video effects		*0dBu = 0.775 Vrms	
HDMI video 480/59.94i, 576/50i, 480/59.94p, 576/50p, 720/59.94p, 720/50p, 1080/59.94i, 1080/50i, 1080/59.94p, 1080/50p 640 x 480/60 Hz, 800 x 600/60 Hz, 1024 x 768/60 Hz, 1280 x 768/60 Hz, 1280 x 1024/60 Hz, 1366 x 768/60 Hz, 1400 x 1050/60 Hz, 1600 x 1200/60 Hz, 1920 x 1080/60 Hz * The output refresh rates of 640 x 480-1400 x 1050 are 75 Hz when the unit's frame rate setting is 50 Hz. * Conforms to VESA DMT Version 1.0 Revision 11. * 1920 x 1200/60Hz: Reduced blanking		Transition Mix, Cut, Wipe (9 patterns)			
HDMI audio Linear PCM, 24 bits/48 kHz, 2ch		Composition Picture in Picture, DSK (Luminance Key, Chroma Key)			
RGB/Component 480/59.94p, 576/50p, 720/59.94p, 720/50p, 1080/59.94p, 1080/50p 640 x 480/60 Hz, 800 x 600/60 Hz, 1024 x 768/60 Hz, 1280 x 768/60 Hz, 1280 x 1024/60 Hz, 1366 x 768/60 Hz, 1400 x 1050/60 Hz, 1600 x 1200/60 Hz, 1920 x 1080/60 Hz * The output refresh rates of 640 x 480-1400 x 1050 are 75 Hz when the unit's frame rate setting is 50 Hz. * Conforms to VESA DMT Version 1.0 Revision 11. * 1920 x 1200/60Hz: Reduced blanking		Others Output Fade			
Composite NTSC, PAL					
Preview (HDMI) Video: 1920 x 1080/60 Hz (fixed) *When INPUT is selected, the sources are displayed using a reduced frame rate. Audio: Linear PCM, 24 bits/48 kHz, 2ch					
Input jacks					
Video/Audio HDMI: Type A (19 pins) x 4 (INPUT 1-4) RGB/Component: HD DB-15 type x 4 (INPUT 1-4) Composite: BNC type x 4 (INPUT 1-4)					
Audio 1/4-inch TRS phone type (balanced/unbalanced) x 1 pair (AUDIO INPUT)					
Output jacks					
Video/Audio HDMI: Type A (19 pins) x 2 (OUTPUT 1/2) RGB/Component: HD DB-15 type x 2 (OUTPUT 1/2) Composite: BNC type x 1 (OUTPUT 1)					
Preview HDMI: Type A (19 pins) x 1					

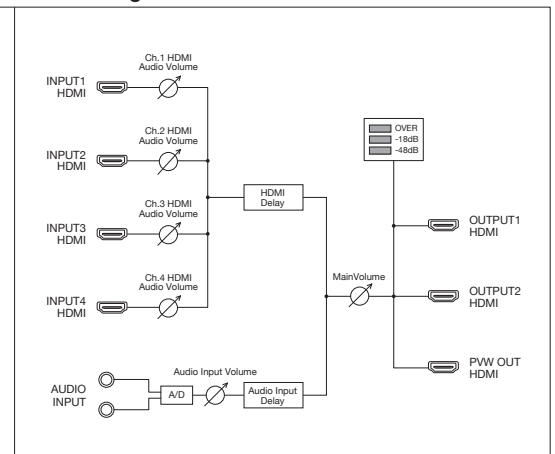
Dimensions



Block Diagram (Video)



Block Diagram (Audio)



MIDI Visual Control is an internationally-used recommended practice that was added to the MIDI specification so that visual expression could be linked with musical performance. Video equipment that is compatible with MIDI Visual Control can be connected to electronic musical instruments via MIDI in order to control video equipment in tandem with a performance.



Using V-LINK, musicians can "play" video from their electronic instrument when used with Roland video products. With V-LINK, musicians have a powerful interface for realtime audio and video integration.



Roland Systems Group, a member of the worldwide group of Roland companies, is dedicated to the support of audio and video professionals demanding excellence in both performance and system design. Through the development and support of video and audio products, we endeavor to improve workflow and maximize creative possibilities.

Ensuring high quality while protecting the environment: Roland is ISO9001 and ISO14001 certified

At Roland, several group companies have obtained ISO9001 certification. In addition, in January 1999, Roland also received ISO14001 international environmental management system certification. We're actively seeking ways to maintain harmony with the environment.

(ISO=International Standardization Organization: an organization for the promotion of standardization of international units and terms. They provide different categories of certification: ISO9001 Series certification is a product quality certification for products that undergo a certain level of quality control from the design stage to the after service stage; ISO14001 Series certification is for environment-related standards. Each member of the Roland Group is striving to obtain certification.)



www.rolandsystemsgroup.net

All specifications and appearances are subject to change without notice. Company names and product names appearing in this document are registered trademarks or trademarks of their respective owners. Roland is either registered trademark or trademark of Roland Corporation in the United States and/or other countries. It is forbidden by law to make an audio recording, video recording, copy or revision of a third party's copyrighted work (musical work, video work, broadcast, live performance, or other work), whether in whole or in part, and distribute, sell, lease, perform, or broadcast it without the permission of the copyright owner. Do not use this product for purposes that could infringe on a copyright held by a third party. We assume no responsibility whatsoever with regard to any infringements of third-party copyrights arising through your use of this product. Copyright 2012 Roland Corporation. All right reserved.