

## DeckLink 4K Extreme 12G



The ultimate digital cinema capture card featuring two full frame DCI 4K inputs and outputs via 12G-SDI! You get dual link multi rate 12G-SDI connections that work with SD, HD and Ultra HD even in Ultra HD 60p, as well as full frame DCI 4K at 4096 x 2160 resolution up to 25p! Capture 10-bit YUV or full color bandwidth 12-bit RGB. Includes AES/EBU audio, up, down and cross conversion, plus built in 3D stereoscopic output at full bandwidth 4:4:4:4 RGB! No other capture and playback card supports more video formats and video connections!

**\$1,495**

### Connections

#### SDI Video Input

2 x 12Gb/s SD/HD/2K/4K. Supports single/dual link 4:2:2/4:4:4. 2D/3D switchable.

#### SDI Video Output

2 x 12Gb/s SD/HD/2K/4K. Supports single/dual link 4:2:2/4:4:4. 2D/3D switchable.

#### Analog Video Input

1 x Component YUV on 3 BNCs switchable to S-Video or Composite. Component supports HD and SD.

#### Analog Video Output

1 x Component YUV on 3 BNCs switchable to S-Video and Composite. Component supports HD and SD.

#### Analog Audio Input

2 Channels of professional balanced analog audio via XLR connectors.

#### Analog Audio Output

2 Channels of professional balanced analog audio via XLR connectors.

#### AES/EBU Audio Input

2 Channels unbalanced with sample rate converter.

#### AES/EBU Audio Output

2 Channels unbalanced.

#### SDI Audio Input

16 Channels embedded in SD/HD/2K/4K.

#### SDI Audio Output

16 Channels embedded in SD/HD/2K/4K.

#### HDMI Video Input

HDMI type A connector with support for 2160p60.

#### HDMI Video Output

HDMI type A connector with support for 2160p60.

#### HDMI Audio Input

8 Channels embedded in SD/HD/4K.

#### HDMI Audio Output

8 Channels embedded in SD/HD/4K.

#### Sync Input

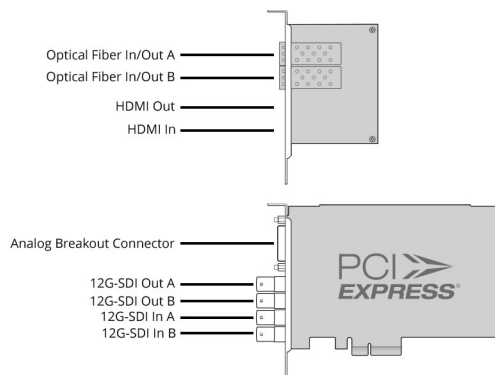
Black burst in SD, 720p50, 720p59.94, 1080i50 and 1080i59.94 formats or Tri-Sync in any HD format.

#### Device Control

Sony™ compatible RS422 deck control port. Serial ports TxRx direction reversible under software control.

#### Computer Interface

PCI Express 8 lane Gen 2, compatible with 8 and 16 lane PCIe with HDMI or SDI mezzanine card.



## Codecs

Supports: AVC-Intra, AVCHD, Canon XF MPEG2, Digital SLR, DV-NTSC, DV-PAL, DVCPRO50, DVCPROHD, DPX, HDV, XDCAM EX, XDCAM HD, XDCAM HD422, Apple ProRes 4444, Apple ProRes 422 HQ, Apple ProRes 422, Apple ProRes LT, Apple ProRes 422 Proxy, Uncompressed 8-bit 4:2:2, Uncompressed 10-bit 4:2:2, Uncompressed 10-bit 4:4:4.

## Software

### Software Included

Media Express, Disk Speed Test, LiveKey, Blackmagic Desktop Video and Blackmagic driver on Mac OS X. Media Express, Disk Speed Test, LiveKey, Blackmagic Desktop Video and Blackmagic driver on Windows 7 and Windows 8. Media Express, Blackmagic Desktop Video and Blackmagic driver on Linux.

### Internal Software Upgrade

Firmware built into software driver. Loaded at system start or via updater software.

### Physical Installation

PCI Express 8 lane generation 2, compatible with 8 and 16 lane PCI Express slots on Mac OS X, Windows and Linux. Mac OS X systems require a Mac Pro computer with PCI Express slots. Please check the Support pages to see the full system requirements.

## Software Applications



DaVinci Resolve



Fusion



Final Cut Pro X



Premiere Pro CC



Avid Media Composer



After Effects CC



Avid Pro Tools



Steinberg Cubase



Autodesk Smoke



Photoshop CC

---

Nuke, Steinberg Nuendo, Avid Symphony, Avid News Cutter, Tools On Air just:in & live:cut & just:play & just:live, Softron OnTheAir, MovieRecorder and OnTheAir CG, Flash Media Live Encoder, Flash Media Live Encoder, Wirecast, Livestream Procaster, Resolume Avenue 4, Sony Vegas Pro, Corel VideoStudio Pro X4, CyberLink Power Director, MAGIX Video Pro X4, Vidblaster Pro & Studio & Broadcast, Uniplay, Playbox AirBox, CasparCG, Magicsoft CG, Xsplit Broadcaster, Imagine Communications Velocity & InfoCaster.

---

## Video Standards

### SD Format Support

525i/29.97 NTSC, 625i/25 PAL.

---

### HD Format Support

720p50, 720p59.94, 720p60  
1080p23.98, 1080p24, 1080p25,  
1080p29.97, 1080p30, 1080p50,  
1080p59.94, 1080p60  
1080PsF23.98, 1080PsF24, 1080PsF25,  
1080PsF29.97, 1080PsF30  
1080i50, 1080i59.94, 1080i60

---

### 2K Format Support

2K DCI 23.98p, 2K DCI 24p, 2K DCI 25p  
2K DCI 23.98PsF, 2K DCI 24PsF, 2K DCI  
25PsF

---

### Ultra HD Format Support

2160p23.98, 2160p24, 2160p25,  
2160p29.97, 2160p30, 2160p50,  
2160p59.94, 2160p60

---

### 4K Format Support

4K DCI 23.98p, 4K DCI 24p, 4K DCI 25p

---

### SDI Compliance

SMPTE 292M, SMPTE 259M,  
SMPTE 296M, SMPTE 372M,  
SMPTE 425M level A, SMPTE 425M  
level B, SMPTE 435, ITU-R BT.656 and  
ITU-R BT.601.

---

### SDI Metadata Support

VANC capture and playback using up  
to 3 lines of video in file. HD RP188.  
Closed captioning.

---

### Audio Sampling

Television standard sample rate of 48  
kHz at 24-bit.

---

### SDI Video Sampling

4:2:2, 4:4:4 and 4:4:4:4.

---

### SDI Color Precision

8, 10-bit YUV 4:2:2 and 8, 10, 12-bit  
RGB 4:4:4 in HD, 2K and 4K.

---

### Color Space

REC 601, REC 709

---

### HDMI Configuration

HDMI 2.0 supports Deep Color and  
automatically configures to connected  
display.

---

### Multiple Rate Support

HDMI and SDI video connections are  
switchable between SD/HD/2K and  
4K. Component analog video  
connections are switchable between  
SD and HD.

---

### Copy Protection

HDMI input is unable to capture from  
copy protected HDMI sources. Always  
confirm copyright ownership before  
capture or distribution of content.

---

## Processing

### Ultra HD Down Conversion

Built in, high quality hardware down  
converter outputs Ultra HD to HD or HD  
to SD downconverted signal on SDI B and  
SD on Composite and S-Video. Switch  
analog video to Component and choose  
HD or SD output. Selectable between  
letterbox, anamorphic 16:9 and center cut  
4:3 styles.

---

### HD Up Conversion

Built in, high quality hardware up  
conversion from SD to 720HD or  
1080HD on playback. Selectable  
between 4:3 pillarbox, 14:9 zoom and  
16:9 zoom.

---

### HD Cross Conversion

Built-in, high quality hardware cross  
conversion from 720HD to 1080HD,  
1080HD to 720HD on playback.

---

### Real Time Effects

DaVinci Resolve, Final Cut Pro X  
internal effects. Premiere Pro CC  
Mercury Playback Engine effects. Avid  
Media Composer internal effects.

---

### Colorspace Conversion

Hardware based real time on output.

---

### 3D Processing

Dual stream and frame packed  
capture and playback.

---

---

## Operating Systems



Mac OS X 10.9 Mavericks,  
Mac OS X 10.10 Yosemite,  
Mac OS X 10.11 El Capitan  
or later.



Windows 8.1 or  
Windows 10.



Linux

---

## EMC Certifications

FCC, CE and C-Tick

---

## Environmental Specifications

### Operating Temperature

5° to 40° C (41° to 104° F)

### Storage Temperature

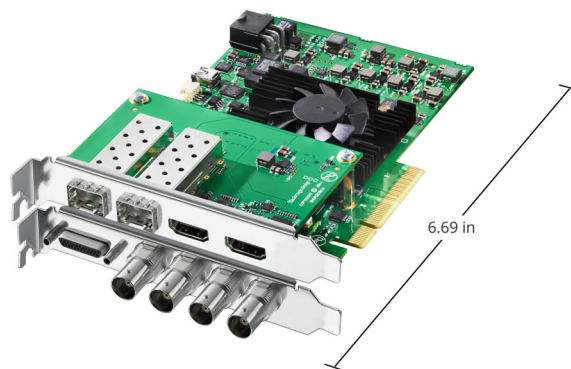
-20° to 45° C (-4° to 113° F)

### Relative Humidity

0% to 90% non-condensing

---

## Physical Specifications



LB  
0.66 lb

---

## What's Included

DeckLink 4K Extreme 12G

HDMI mezzanine card

SD card with software and manual

Breakout cable for analog and RS-422 control.

External power cable

---

## Warranty

3 Year Limited Manufacturer's Warranty.

---

---

All items on this website are copyright Blackmagic Design Pty. Ltd. 2016, all rights reserved.  
All trademarks are property of their respective owners. MSRP excludes sales taxes/duties and shipping costs.

Blackmagic Design Authorized Reseller