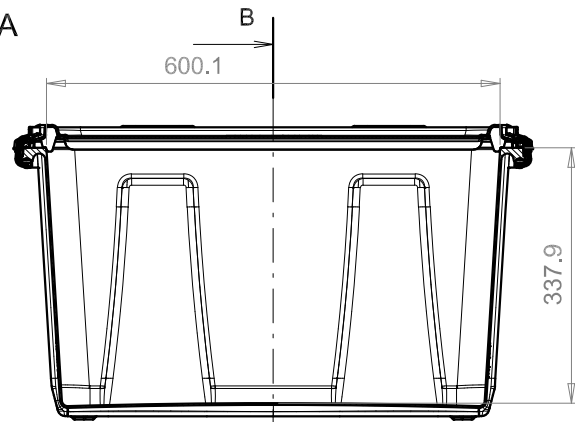
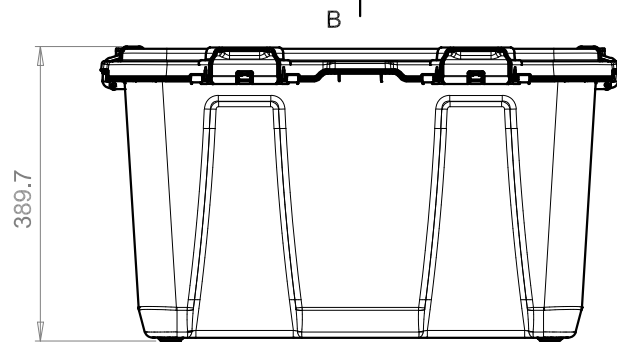
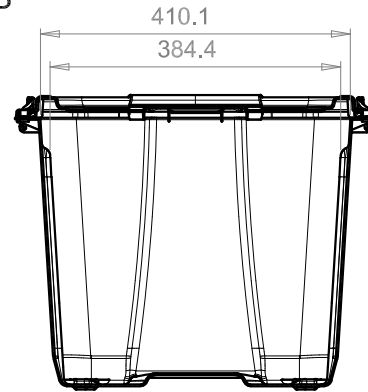


Sez.A-A



Sez.B-B



|                          |                     |
|--------------------------|---------------------|
| Model No.:               | ALST#76LT000STG     |
| Case Weight (lbs. Empty) | 3.6 Kg (7.92 lbs)   |
| Interior Length          | 600.1 mm (23.62 in) |
| Interior Width           | 384.4 mm (15.13 in) |
| Interior Height          | 337.9 mm (13.30 in) |
| Exterior Length (L)      | 687.3 mm (27.06 in) |
| Exterior Width (W)       | 477.3 mm (18.79 in) |
| Exterior Height (H)      | 389.7 mm (15.34 in) |
| Capacity                 | 76 Lt (20 Gal)      |



Plaber S.r.l. reserves the right to modify its products at any time and without notice, in order to better their quality and functionality. Therefore, all the information given in this datasheet is to be considered indicative and subject to possible modifications.

|   |  |                     |
|---|--|---------------------|
| Rev.03  | PROTECTIVE STORAGE BOXES   |                     |
|  | Plaber S.r.l.<br>Via Div. Trentina, 10<br>I-36061 Bassano del Grappa<br>Vicenza-Italy<br>Tel +39 0424 809150<br>Fax +39 0424 808548<br>info@alstora.com<br>www.alstora.com<br>VAT: IT03312270246 |                     |
|   | Scala :<br>1:8   | Data:<br>11/10/2022 |