



The ultimate adjustable lighting pole system can be used to create a background support, structure a lighting grid, or for hundreds of other studio applications. Its unique single action cantilever locking system exerts the correct amount of pressure to assure a secure fit, wedging the protective rubber ends in place wall to wall or ceiling to floor. The cantilever system incorporates a safety lock to prevent accidental de-tensioning or movement.

<b>Contents</b>	Page
Autopole	70
Autopole 2	71
Autopole accessories	72
Mini Autopole	73

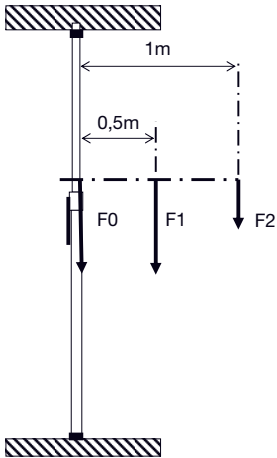


Unique cantilever single action locking system exerts pressure to securely wedge the rubber suction cup ends in place. Cantilever system incorporates safety lock.

Floor to ceiling, or wall to wall fixing for strong vertical or horizontal support of lighting.

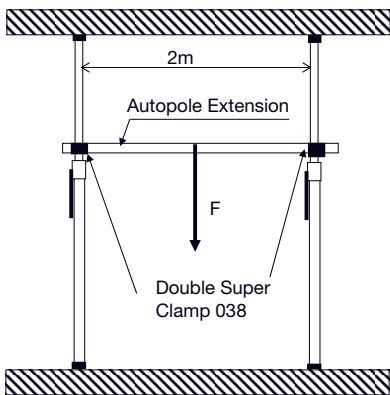
**Loading limits**

The following figures are valid for use with rigid floors and ceilings, and with the protection-cups mounted on the suction-cups.



Model	Load [kg]		
	F0	F1	F2
032	30	30	15
076	30	30	15
077	30	30	15
332-1,7	15	15	7
332-2,7	15	15	7
332-3,7	15	15	7
432-1,7	24	24	12
432-2,7	24	24	12
432-3,7	24	24	12

F0: maximum axial load  
 F1: maximum load with 0,5m arm  
 F2: maximum load with 1m arm



Model	Load [kg]
	F
032	20
076	20
077	20
332-1,7	20
332-2,7	20
332-3,7	20
432-1,7	20
432-2,7	20
432-3,7	20

**AUTOPOLE 032 B**

2,2kg

Extends from 210cm to 370cm.  
 Pole Ø: 45mm and 40mm.

**AUTOPOLE 076 B**

1,83kg

Extends from 150cm to 270cm.  
 Pole Ø: 45mm and 40mm.

**AUTOPOLE 077 B**

1,5kg

Extends from 100cm to 170cm.  
 Pole Ø: 45mm and 40mm.



**AUTOPOLE 2 432-3.7 B**

  
2,6kg

Two position variable thrust.  
Extends from 210cm to 370cm.  
Pole Ø: 45mm and 40mm.  
PATENTED

**AUTOPOLE 2 432-2.7 B**

  
2,23kg

Two position variable thrust.  
Extends from 150cm to 270cm.  
Pole Ø: 45mm and 40mm.  
PATENTED

**AUTOPOLE 2 432-1.7 B**

  
1,9kg

Two position variable thrust.  
Extends from 100cm to 170cm.  
Pole Ø: 45mm and 40mm.  
PATENTED

**MINI AUTOPOLE 332-3.7 B**

  
1,38kg

Extends from 210cm to 370cm.  
Pole Ø: 35mm and 32mm.

**MINI AUTOPOLE 332-2.7 B**

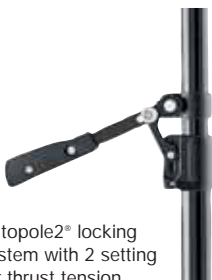
  
1,13kg

Extends from 150cm to 270cm.  
Pole Ø: 35mm and 32mm.

**MINI AUTOPOLE 332-1.7 B**

  
0,85kg

Extends from 100cm to 170cm.  
Pole Ø: 35mm and 32mm.



Autopole2® locking system with 2 setting for thrust tension.





### AUTOPOLE BASE 032BASE **B**



86cm 126cm 1,2kg

For tubes: Ø 45mm.  
Legs Ø: 22mm.



### MINI POLE BASE 170BASE **B**



62cm 106cm 0,67kg

For tubes: Ø 28mm.  
Legs Ø: 22mm.



## AUTOPOLE SPIRIT LEVEL 032SPL

Spirit level for use on Autopole®,  
or on tubes of 25mm to 60mm diameter.



## AUTOPOLE PROTECTION CAPS 032PC

Set of four protection caps for rubber feet with inner hole.  
Ø: 16.5mm. Suitable for use with all Autopoles  
except Midi Autopole® 332 and Mini Pole 170.

## EXTENSION TUBE 033 **B**



0,69kg

Autopole® Extension tube.  
Ø: 40mm.  
Length: 2m.  
Suitable for Autopole2® and Autopole®.

## EXTENSION TUBE 034 **B**



0,53kg

Autopole® Extension tube.  
Ø: 40mm.  
Length: 1,5m.  
Suitable for Autopole2® and Autopole®.



## MINI POLE 170 **B**



0,87kg

Spring loaded mini pole.  
Extends from 175cm to 330cm.  
Post Ø: 25mm and 28mm.

