

CARTONI
PROFESSIONAL CAMERA SUPPORT



**MASTER
MASTER** ✓

**USER'S MANUAL
&
MAINTENANCE**

CARTONI® / All rights reserved ©

Manual Version: 1.0

Issue date: May 2019

CARTONI S.p.A

Via di Portonaccio, 33/B - 00159 Rome (Italy)

Phone +39 06 4382002

Fax +39 06 43588293

Email cartoni@cartoni.com

www.cartoni.com

RINA

CERTIFICATO N. **19714/09/S**
CERTIFICATE No.

SI CERTIFICA CHE IL SISTEMA DI GESTIONE PER LA QUALITÀ DI
IT IS HEREBY CERTIFIED THAT THE QUALITY MANAGEMENT SYSTEM OF

CARTONI S.P.A.

VIA DI PORTONACCIO, 33/B 00159 ROMA (RM) ITALIA

NEI SEGUENTI UNITÀ OPERATIVE / IN THE FOLLOWING OPERATIONAL UNITS

VIA DI PORTONACCIO, 33/B 00159 ROMA (RM) ITALIA

È CONFORME ALLA NORMA / IS IN COMPLIANCE WITH THE STANDARD
ISO 9001:2015

PLI (I) SUGLI UNITÀ OPERATIVE / IS IN THE FOLLOWING (ILLUS) OF ACTIVITIES

PROGETTAZIONE, FABBRICAZIONE ED ASSISTENZA POST-VENDITA DI PRODOTTI PER LA CINEMATOGRAFIA E
LA TELEVISIONE PROFESSIONALE, COME ANCHE LA DISTRIBUZIONE DI PRODOTTI ASSOCIATI IN CONDIZIONI
PER LA CINEMATOGRAFIA E LA TELEVISIONE PROFESSIONALE

DESIGN, MANUFACTURE AND POST-SALE ASSISTANCE OF PROFESSIONAL BROADCASTING AND FILM EQUIPMENT,
MARKETING OF PROFESSIONAL BROADCASTING AND TELEVISIONS LOCAL AGENTS/LOCAL SALES

La validità del presente certificato è subordinata a un'ispezione certificata annuale o semestrale ed al successo completo del rinnovo di gestione con periodicità triennale.
The validity of this certificate is dependent on an annual / six monthly audit and on a complete renewal, every three years, of the management system.
L'uso in qualsiasi altro campo è vietato al di fuori del documento RINA. Per saperne di più sulla Certificazione di Sistemi di Gestione per la Qualità,
please use and verify the application and subject to inspection with the next representative audit for the certification of Quality Management Systems.

Prima emissione First Issue	12.06.2009	Data decisione di rinnovo Renewal decision date	24.05.2018
Data scadenza Expiry Date	02.06.2021	Data revisione Revision date	24.06.2018

Azienda Rina
Rina Management System
Certification, Head

Antonio Carotenuto

RINA Services S.p.A.
Via Corcia 12 - 00129 Genova Italy

ACCREDIA
SQQ N° 007 A

IAF

FEDERAZIONE
CISQ

CISQ è la Federazione Italiana di Organismi di
Certificazione del sistema di gestione aziendale
CISQ is the Italian Federation of
management system Certification Bodies

Index

1. Introduction.....	1
2. Operating elements.....	2
3. Procedures.....	5
4. Specifications.....	6
5. Maintenance.....	6
6. Warranty.....	7
7. Accessories & product line	7

1. Introduction

The new MASTER MK2 is the ultimate CARTONI Fluid Head designed most specifically for HD applications, Film, ENG & EFP Camera systems.

The MK2 counterbalances very light Cameras from 3 Kg (6.6 lbs) all the way to 30 Kg (66 lbs) making the MK2 suitable from the smallest HDV Camera to fully loaded RED, Alexa, F65, C300 (etc) Cameras with all of the trimmings.

This new CARTONI counterbalance system is an evolution of the patented CARTONI “Wing” system and allows a perfect performance throughout the +/- 90 tilt range, with perfect stops at any angle.

The frictionless variable fluid modules perform a wide variety of fluid drag for the best smooth and precise movement in any shooting situation.

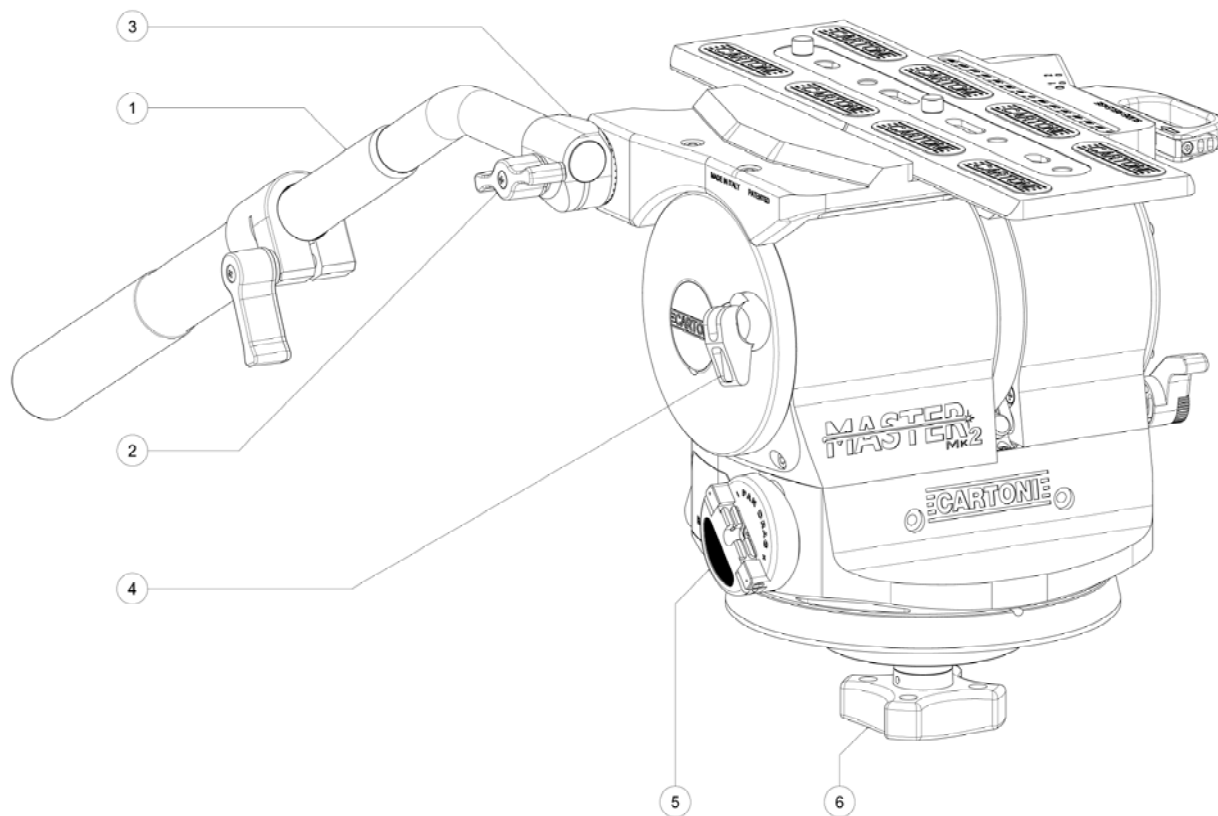
All operating knobs and levers are conveniently located and easy to reach with a special care for user-friendly ergonomics.

The MASTER MK2 comes equipped with one telescopic pan bar, standard quick release sliding Camera plate, (EuroStyle plate optional) illuminated spirit level and digital readouts for drag and counterbalance settings.

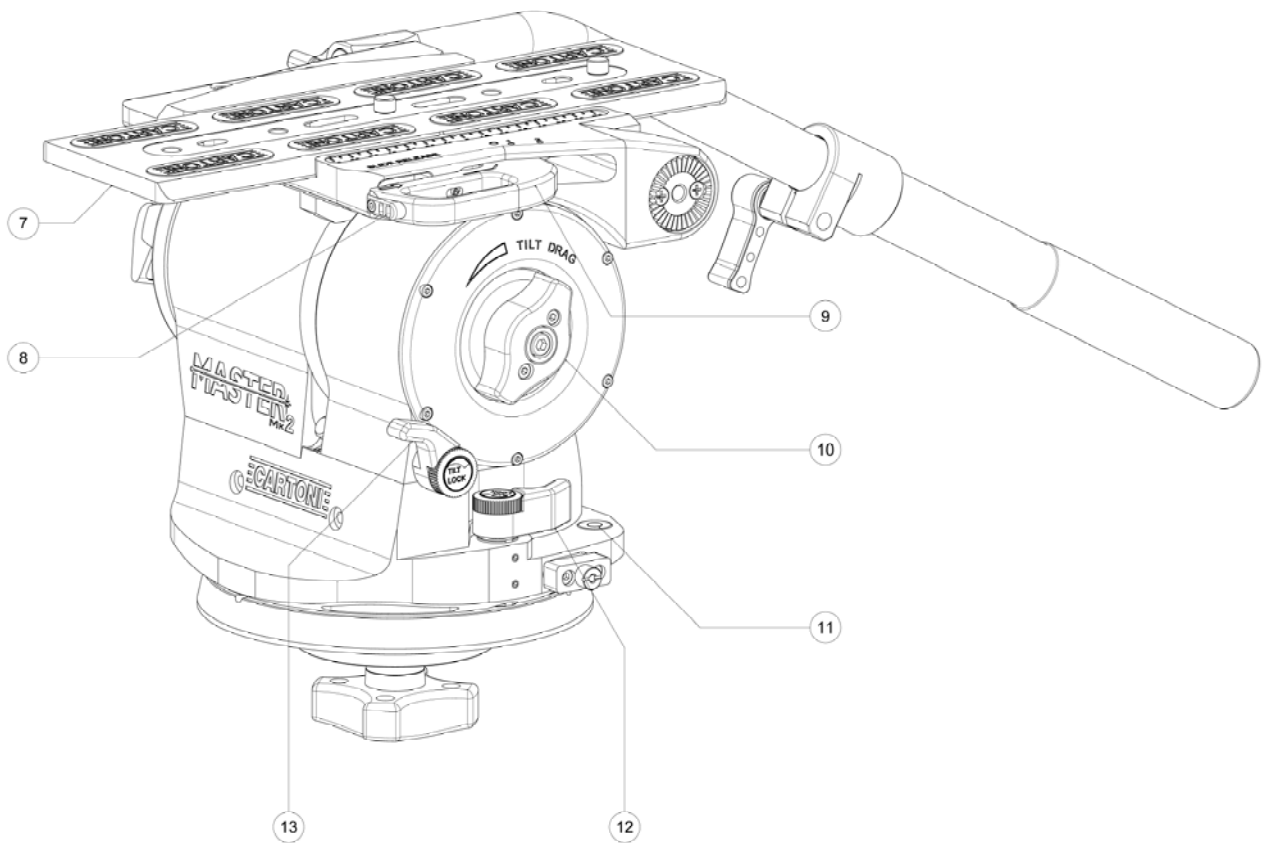
The MK2 has a flat Mitchell standard base and an available 150mm bowl converter to make the MK2 suitable for all leg options and Dollies.

- Before using the MASTER MK2 Fluid Head, please make sure to read this user’s & maintenance manual;
- Before installing the fluid head on the tripod check the tripod stability;
- Verify that the Camera payload (including lenses and accessories) is lower than the maximum capacity of the MASTER MK2 Fluid Head;
- Before installing the Camera make sure that the MASTER MK2 is in good conditions and bares no evident damages.

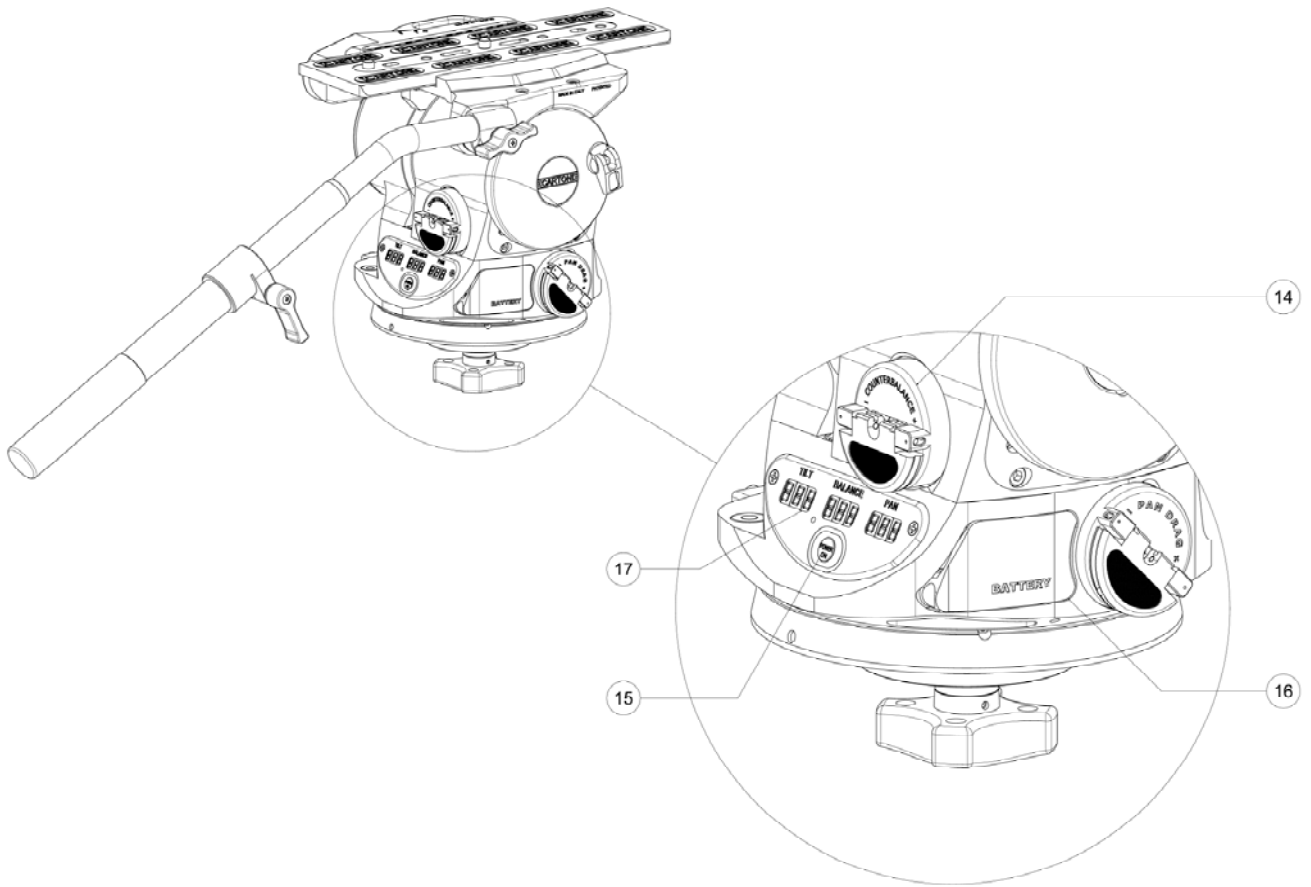
2. Operating elements



- 1) Pan bar
- 2) Pan bar attachment lever
- 3) Pan bar attachment rosette
- 4) Horizontal lock lever
- 5) Pan drag selector
- 6) Tie-down knob



- 7) Camera plate
- 8) Safety button slide lock lever
- 9) Slide lock lever
- 10) Tilt drag selector
- 11) Illuminated bubble level
- 12) Pan lock lever
- 13) Tilt lock lever



- 14) Counterbalance selector
- 15) Illuminated bubble level and display light button
- 16) Battery housing
- 17) Digital display

3. Procedures

- Open the tripod to the desired height and lock all safety knobs.
- Place the MASTER MK2 Fluid Head on the tripod base and rotate until it matches the steel notch; tighten the Head firmly by screwing in the knob (6) underneath the flat base. Check the illuminated bubble level (11) and modify the legs angle if needed. In case of low visibility, press button (15) for illuminated bubble level and to activate the digital displays. Lights will turn off automatically after approximately 30 seconds.
- Lock the horizontal position with lever (4) red position, insert pan lock (12) and turn both tilt drag selector (10) and counterbalance selector (14) to position "0".
- To release the Camera plate (7) push the red safety button (8) and open the slide lock lever (9) completely till to position 2, then remove the Camera plate.
- Attach the Camera plate under the Camera assembly and firmly secure it with both screws. Try to place the Camera plate centered under the Camera system, keeping in mind the position of the center of gravity (CG).
- Place the Camera on the top of the MASTER MK2, leaning sideways against the left side of the head (slide lock side), then push the assembly into horizontal position until you feel the click of the slide lock lever (9), which will be in position 1 (at this point the Camera plate is clamped but still moving fore-and-aft).
- Holding the pan bar (1) firmly, disengage lever (4) to green position and find the correct center of gravity (CG) by sliding the Camera assembly fore-and-aft. Lock the slide lock lever (9) in position 0.
- Set the counterbalance system by turning the counterbalance selector (14) to the appropriate tension. The Camera has to stay still at any tilt angle. If needed, fine tune the balance by adjusting the sliding plate.
- Push button (15) to activate illuminated digital displays, unlock Pan lock (12) and select the desired Fluid drag intensity on both Pan and tilt by turning Pan selector (5) and tilt selector (10).

4. Specifications

Minimum payload	3 Kg – 6.6 lbs
Maximum payload	30 Kg – 66 lbs
Weight	8,5 Kg – 18,7 lbs
Bowl diameter	Flat base
Fluid control	Continuous
Counterbalance	Continuous
Pan range	360°
Tilt range	+/- 90°
Temperature range	-40 / +60 °C -40 / +140 °F

5. Maintenance

When needed, with indoor use just clean the Head and Tripod with a soft cloth. Dirt accumulated during storage may be removed using a brush or Air spray.

CARTONI products main mechanisms are sealed as they are also built for professional outdoor use.

However, use under rough conditions they will require special care. Salt water is very corrosive and can cause extreme damages. In attempt to avoid further damage the Fluid Head should be washed off with fresh water at the earliest opportunity and perfectly dried before storage.

Sand and dirt are abrasive and should be removed using a semi-stiff brush or Air spray.

Disconnect illuminated display & bubble level battery during long term storage; for battery replacement access the battery compartment (16).

6. Warranty

All CARTONI Fluid Heads & Pedestals have a free of charge three (3) year warranty. Register your product at www.cartoni.com within 30 days from date of first purchase/invoice to receive further two (2) year warranty for the unsurpassed free five (5) year warranty.

Tripods, spreaders, dollies and all accessories are guaranteed one (1) year from the date of first purchase/invoice.

CARTONI warrant that the product supplied will - under proper use - be free from defects in workmanship and materials and agrees that it will, at its option, either repair or replace any defective part within duration of warranty from date of first purchase with no labour charge.

This warranty does not apply to any CARTONI product that has been damaged in shipping or handling, abused, misused, operated contrary to instructions for use, neglected, normal wear or tear, modified or changed in design or construction or serviced by unauthorized parties.

Repairs or misuse by any unauthorized parties will void this warranty.

Warranty claims must be submitted – in writing - to the factory for verification or to an authorized distributor/dealer designated by CARTONI.

It is the end user's responsibility when ordering to ensure that the products ordered conform to his requirements.

All freight of product to CARTONI must be prepaid. All implied warranties are limited to the time period set forth herein & subject to change without notice.

No liability can be accepted for any variation.

7. Accessories & product line

For the complete Accessories list & Product line please visit CARTONI's official website www.cartoni.com.

Every product has an updated list of compatible items sorted by groups, with descriptions and technical data.