



yellobrik®

yellobrik®

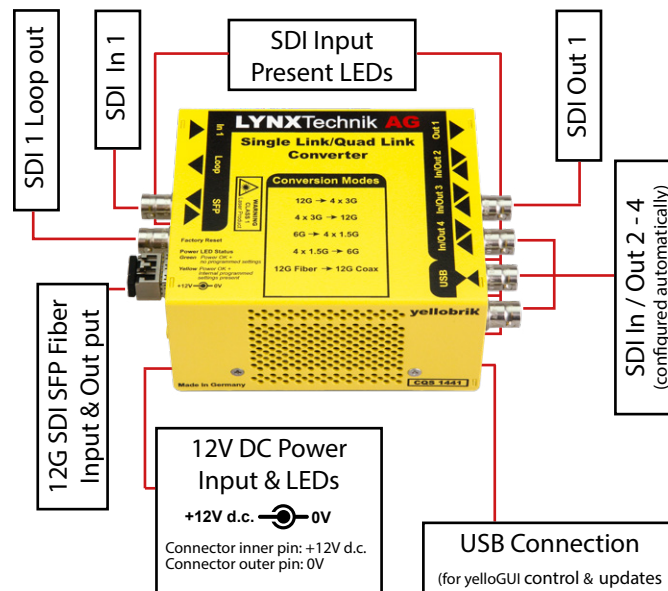
Quick Reference

Technical Specifications

SDI Input	4x multi-rate SDI inputs; 75 Ohm BNC connector 1x SFP connector
	SMPTE 424M, SMPTE 292M, SMPTE 259M, SMPTE 2081, SMPTE 2082
	Multi-standard operation from 270Mbit/s to 12Gbit/s; relocking
	Input present LED indication
SDI Outputs	Electrical Return Loss: >10dB from 1.5GHz to 3GHz, >7dB from 3GHz to 6GHz; >4dB from 6GHz to 12GHz
	Automatic cable EQ 140m @ 3Gbit/s (Belden 1694A), 80m @ 6Gbit/s, 80m @ 12Gbit/s (Belden 4794R cable)
	5x multi-rate SDI outputs; 75 Ohm BNC connectors
	2x 12Gbit/s SDI output; 75 Ohm BNC connector 1x 12Gbit/s SDI output; SFP connector
Power	SMPTE 292M, SMPTE 424M, SMPTE 2081, SMPTE 2082
	Electrical Return Loss: >10dB from 1.5GHz to 3GHz, >7dB from 3GHz to 6GHz, >4dB from 6GHz to 12GHz
	Alignment Jitter: < 0.2 UI @ 1.5Gbit/s, < 0.3 UI @ 3Gbit/s, 6Gbit/s, 12Gbit/s
	Timing Jitter: < 1.0 UI @ 1.5Gbit/s, < 2.0 UI @ 3Gbit/s, 6Gbit/s, 12Gbit/s

CQS 1441

Bi-directional Single-Link to Quad-Link Converter



We are constantly adding more yellobrik modules.
Please visit our website for the latest product updates.

www.lynx-technik.com

LYNXTechnik AG | www.lynx-technik.com

WARNING



CLASS 1 LASER PRODUCT

A Class 1 laser is safe under all conditions of normal use. This means the maximum permissible exposure (MPE) cannot be exceeded when viewing a laser with the naked eye or with the aid of typical magnifying optics (e.g. telescope or microscope). An unsafe power level may be collected by a magnifying optic with a larger aperture.

The optical port should be terminated with an optical connector or a dust plug.

Connections

All connections are clearly indicated on the module.
Bi-directional ports can be configured in the yelloGUI (see below).

Operation Modes

Following 2-SI (two sample-interleaved) conversion modes are available:

- 12G Single Link > 4 x 3G Quad Link
- 4 x 3G Quad Link > 12G Single Link
- 6G Single Link > 4 x 1.5G Quad Link
- 4 x 1.5G Quad Link > 6G Single Link

Conversion Mode settings can be changed in the yelloGUI:
www.lynx-technik.com > support > download area > yelloGUI

Power / Prog Setting LED

Green = Power OK and no internal programmed settings are present
Yellow (Red*)= Power OK and internal programmed settings are present

* Some module's case print may describe the color of the LED as "Red" instead of "Yellow" but it has the same functionality of representing "Power Ok and internal programmed settings are present!"

Power

The module requires a 12V DC power input and the LED confirms when power is connected. A power supply is provided, however, if you use your own power supply, please provide a clean 12V DC power source between 7 and 24VDC.

Optical Interface

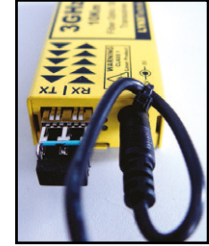
The optical port (SFP slot) is for use with a 12Gbit/s SFP.
Please only use the SFP provided by LYNX Technik AG: OH-TR-12G-LC

RFR 1000-1 rack mount

In order to mount the CQS1441 in an RFR 1000-1, please remove the bar between two rack frame slots and the black plug from the hole right beside the power connection of the CQS1441.

Power Lead Strain Relief

The module (different module shown here) has a small hole in the case located above the power connection. This prevents the power lead from being accidentally pulled out. Use the supplied tie-wrap and secure the lead, as shown below.



Optional Mounting Solutions

The optional RFR 1001 mounting bracket can be used to permanently mount the module on any surface or on 19" rack rails.



Do not obstruct ventilation holes of the CQS 1441 when using the mounting bracket.

The mounting bracket is for use in standard 19" mounting cabinets. Please use screws supplied with the 19" cabinets.



The optional RFR 1000-1 rack mount can be used to mount up to 14 yellobrik modules permanently. In addition, the RFR 1000-1 can provide full power redundancy for all mounted yellobriks.

